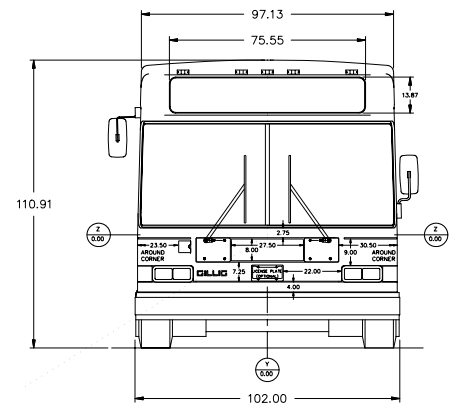
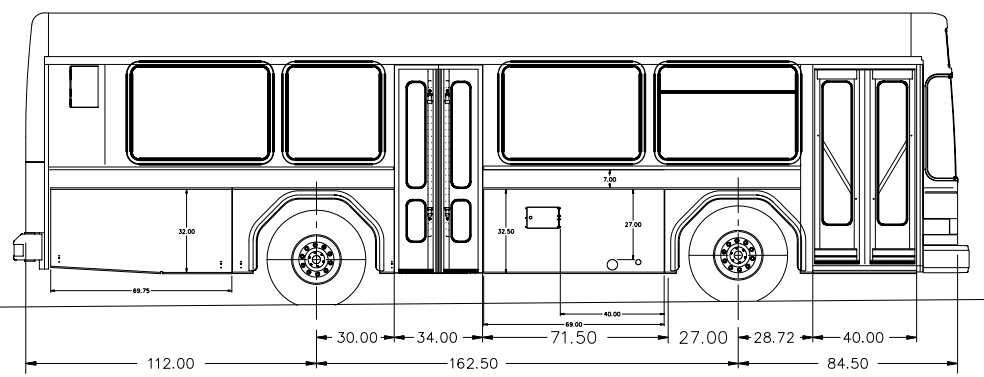
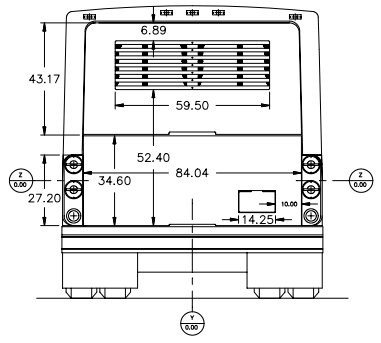
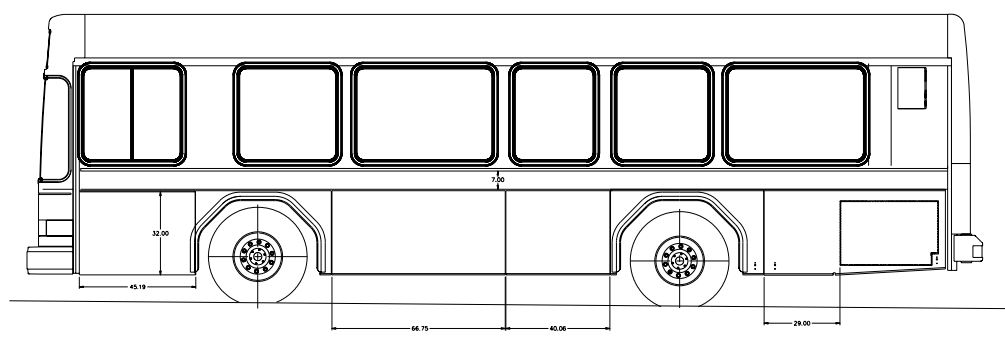


REVISIONS

SYM	DATE	DESCRIPTION	REL.	DATE
A	JAY	AI 13	REL. FOR SALES	NO 32945 7/7/99



ITEM NO.	DESCRIPTION	QTY
A	COLLIC CORP. HAYWARD, CA	
<p>PROFESSIONAL AND THE SUPPLIER'S COMPANY NUMBER SUBJECT TO THE TERMS AND CONDITIONS OF THE COLLIC CORPORATION. THE COLLIC CORPORATION IS NOT RESPONSIBLE FOR THE DESIGN OR THE PERFORMANCE OF THE PRODUCT OR THE SERVICE AS DESCRIBED IN THE COLLIC CORPORATION.</p> <p>REMOVE ALL BURRS, BEVEL SHARP EDGES</p> <p>UNDERSTAND THE TOLERANCES ARE PER THE TOLERANCES</p> <p>MAXIMUM DIMENSIONS UNLESS OTHERWISE SPECIFIED ARE IN INCHES</p> <p>FINISHES: UNLESS OTHERWISE SPECIFIED</p> <p>3" 30° THIRD ANGLE</p>		
<p>FILE: LAYOUT, PAINT SCHEME</p> <p>LF, 2911'-102" (w/ DIMENSIONS)</p>		
BY: ALLEN YIM	DATE: 6/28/99	
CHKD: [Signature]	DATE: [Signature]	
DRG. NO. RE1 32945	DOCUMENT NO. 10-42945	REV. 2
PAP. SCALE: 1/24 = 1.0		STD. NO. 302
		REV. 10-42945