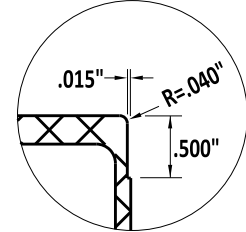
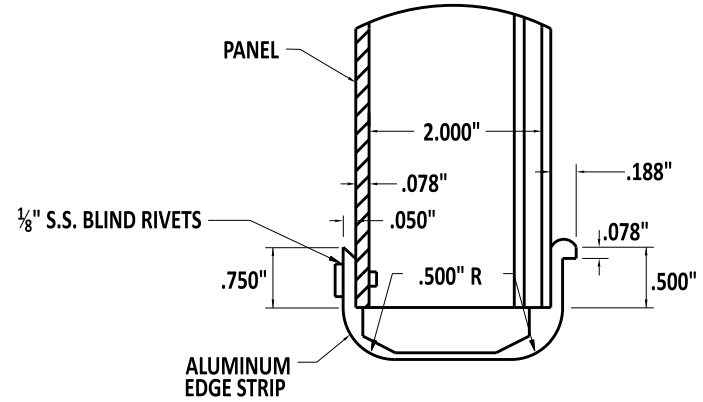


ALUMINUM PANEL - NOTCHED CORNERS (SEE NOTE 1)

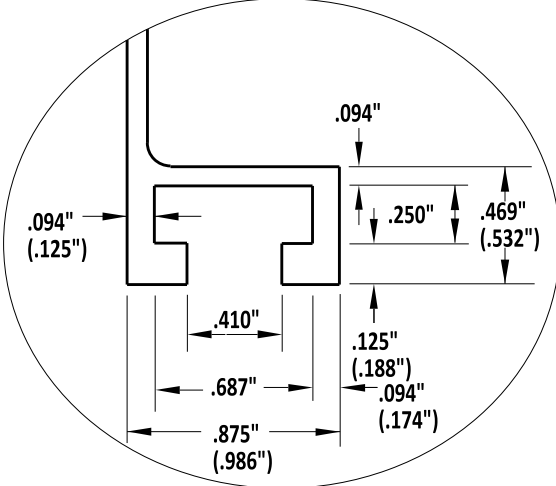


DETAIL B

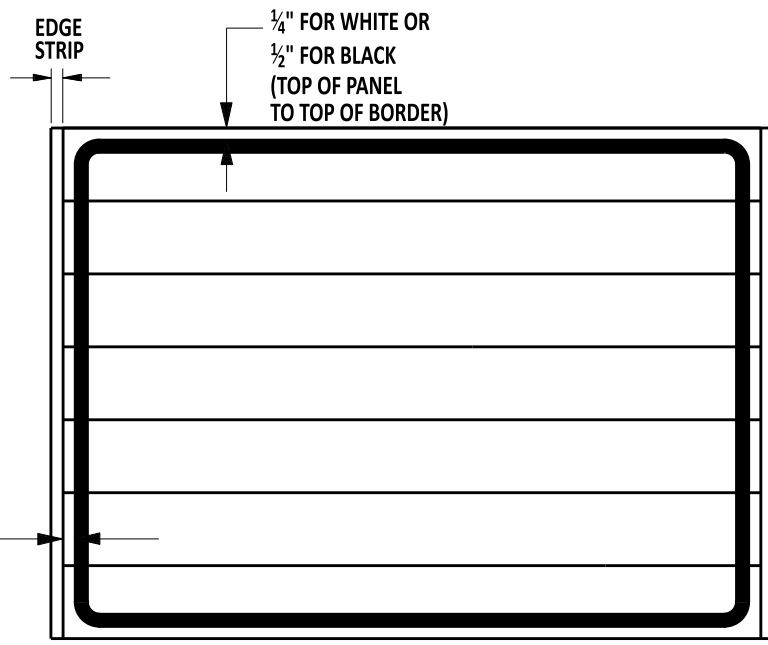


DETAIL OF EDGE STRIP

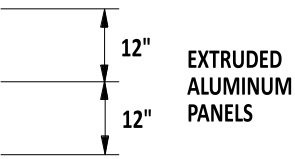
NOTE:
EDGE STRIP SHALL BE PLACED ON BOTH SIDES OF ALL EXTRUDED PANEL SIGNS.



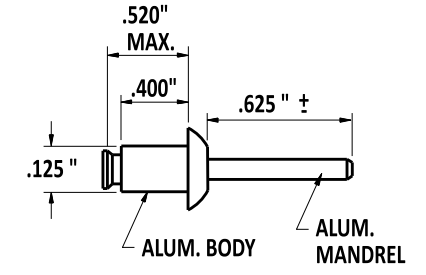
DETAIL A



BORDER DETAIL



EXTRUDED ALUMINUM PANELS



DETAIL OF A BLIND RIVET FOR CUTOUT LETTER (TYP.)

- NOTES:**
1. ALUMINUM PANELS SHALL HAVE NOTCHED CORNERS AS SHOWN. NO OTHER TYPE CORNERS ARE ACCEPTABLE.
 2. ALTERNATE DIMENSIONS INDICATED IN PARENTHESES ARE ACCEPTABLE.
 3. THE REFLECTIVE SHEETING APPLIED TO EXTRUDED PANELS SHALL EXTEND APPROX. 3/8" OVER EACH SIDE IN THE NARROW DIRECTION AND SHALL BE ADHERED TO THE PANEL.



Andrew Shott
ENGINEERING SUPPORT
RECOMMENDED
12/13/2022
DATE

EXTRUDED ALUMINUM DETAIL
STANDARD NO. T-27 (2022) SHT. 1 OF 2

REVIEWED *[Signature]* 12/16/2022
DEPUTY DIRECTOR - DESIGN DATE
APPROVED *[Signature]* 12/21/2022
CHIEF ENGINEER DATE