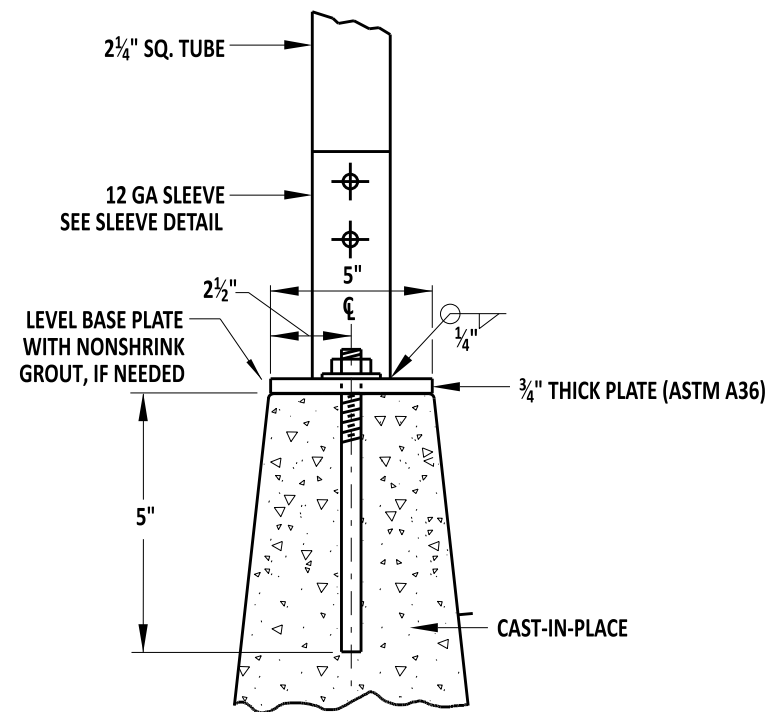
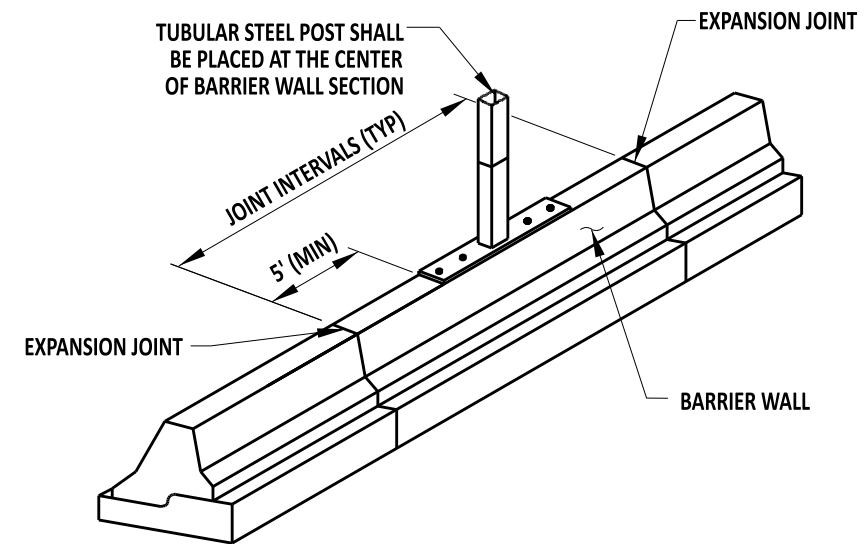
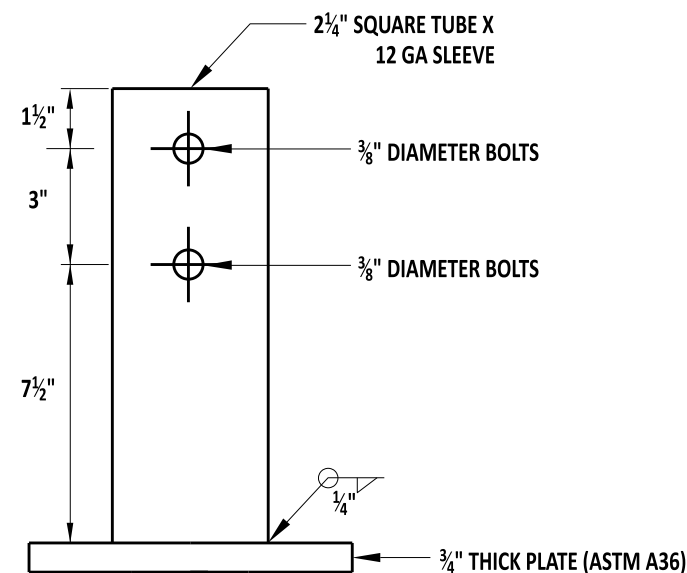


**DETAIL 'A' - SIDE VIEW CONCRETE BARRIER**

**CONCRETE BARRIER MOUNTED MILE MARKER  
MAXIMUM SIGN AREA - 8 SQ. FT.**



**DETAIL 'A' CONCRETE BARRIER**



**SLEEVE DETAIL**

**NOTES:**

1. MILE MARKER BARRIER MOUNT SHALL BE INSTALLED FOLLOWING DEMUTC D GUIDANCE. SIGNS MAXIMUM WIDTH SHALL NOT EXCEED 18"
2. THE MILE MARKER BARRIER MOUNT SHALL BE INSTALLED 5' (MIN.) OFF OF ALL EXPANSION JOINTS.
3. REFER TO OTHER APPROPRIATE SERIES STANDARD FOR ATTACHMENT DETAIL.
4. THE CONTRACTOR SHALL VERIFY ANY EXISTING CONDUIT BEFORE DRILLING HOLES. IF THE CONDUIT IS WITHIN 10" FROM THE TOP OF THE BARRIER, THE ENGINEER SHALL BE CONTACTED FOR ALTERNATE DESIGN.



*Andrew Shott*  
ENGINEERING SUPPORT  
RECOMMENDED  
12/13/2022  
DATE

MILE MARKER BARRIER MOUNT  
STANDARD NO. T-25 (2022)  
SHT. 1 OF 1

REVIEWED  
DEPUTY DIRECTOR - DESIGN  
12/16/2022  
DATE  
APPROVED  
CHIEF ENGINEER  
12/21/2022  
DATE