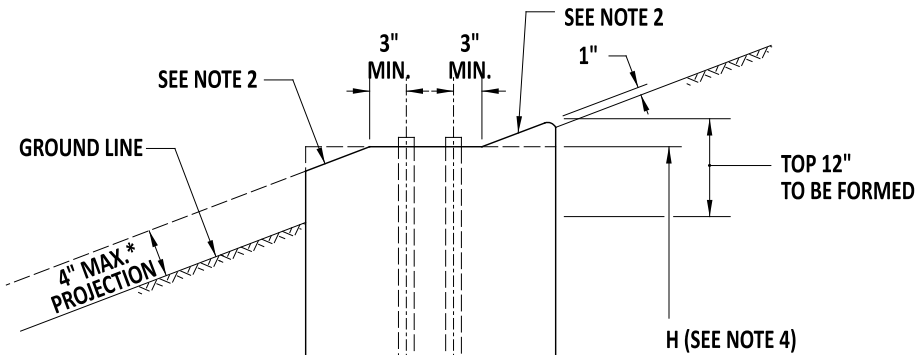


**BREAKAWAY TYPE C SIGN POST FOUNDATIONS**



\* IF 4" MAX. PROJECTION CANNOT BE MET, CONTRACTOR SHALL CONTACT PROJECT ENGINEER.

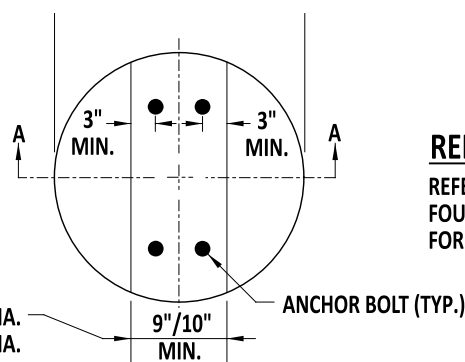
**SECTION A-A**

**ANCHOR DETAILS**

FOR BREAKAWAY BASE DETAILS, REFER TO CONTRACT PLANS BREAKAWAY BASE SUPPORT SYSTEM FOR HIGHWAY SIGNS STANDARD PLATES.

**REINFORCING STEEL DETAILS**

REFER TO T-23, SHEET 1 GALVANIZED STEEL BEAM SIGN POSTS FOUNDATION DETAILS - TYPE A STANDARD PLATE FOR REINFORCING STEEL DETAILS.



**PLAN VIEW**

**STEEL BREAKAWAY SUPPORT FOUNDATION SELECTION MATRIX**

POST SIZE	FOUNDATION DIAMETER	ROADWAY CUT / FILL SLOPE										
		>2:1	3:1	4:1	5:1	6:1	7:1	8:1	9:1	10:1	12:1	<13:1
W6X9	30"	***	C	C	C	C	B	B	B	A	A	A
W6X12	30"	***	C	C	C	C	B	B	B	A	A	A
W6X15	30"	***	C	C	C	C	B	B	B	A	A	A
W6X16	30"	***	C	C	C	C	B	B	B	A	A	A
W8X18	30"	***	C	C	C	C	B	B	B	A	A	A
W8X21	30"	***	C	C	C	C	B	B	B	A	A	A
W10X22	36"	***	***	C	C	C	C	B	B	B	A	A
W10X26	36"	***	***	C	C	C	C	B	B	B	A	A
W12X26	36"	***	***	C	C	C	C	B	B	B	A	A
W14X30	36"	***	***	C	C	C	C	B	B	B	A	A
W16X31	36"	***	***	C	C	C	C	B	B	B	A	A
W18X35 OR W18X40	36"	***	***	C	C	C	C	C	B	B	B	A

\* IF A FOUNDATION EXCEEDS THE 4" AASHTO CRITERIA, THE CONTRACTOR SHALL CONTACT THE ENGINEER FOR APPROPRIATE GUIDANCE.

**NOTES:**

1. THIS FOUNDATION SHALL BE USED ONLY IN LOCATIONS MEETING SLOPE CRITERIA IN ACCORDANCE WITH THE STEEL BREAKAWAY SUPPORT FOUNDATION SELECTION TABLE.
2. SLOPED PORTIONS OF THE FOUNDATION SHALL MATCH THE FINISHED GROUND SLOPE.
3. ON FILL SLOPES GREATER THAN 6:1 BUT NO STEEPER THAN 3:1, FOUNDATIONS DESIRABLY SHOULD BE INSTALLED A MINIMUM OF 14 FT BEYOND THE HINGE POINT. THE HINGE POINT IS THE POINT OF SLOPE TRANSITION FROM THE SHOULDER SLOPE, OR A RELATIVELY FLAT RECOVERY AREA ADJACENT TO THE ROADWAY, TO A STEEPER FORESLOPE, (ALSO KNOWN AS THE FORESLOPE BREAK).
4. REFER TO T-23, SHEET 1 GALVANIZED STEEL BEAM SIGN POSTS FOUNDATION DETAILS - TYPE A FOR FOUNDATION DIMENSIONS AND REINFORCING STEEL DETAILS.



Andrew Shott  
ENGINEERING SUPPORT  
7/25/23  
DATE  
RECOMMENDED

**BREAKAWAY STEEL SIGN SUPPORT FOUNDATIONS**

STANDARD NO. T-23 (2022) SHT. 2 OF 2

REVIEWED

*W. [Signature]*  
DEPUTY DIRECTOR - DESIGN  
3 August 2023  
DATE

APPROVED

*S. [Signature]*  
CHIEF ENGINEER  
08/10/2023  
DATE

**REVISED**