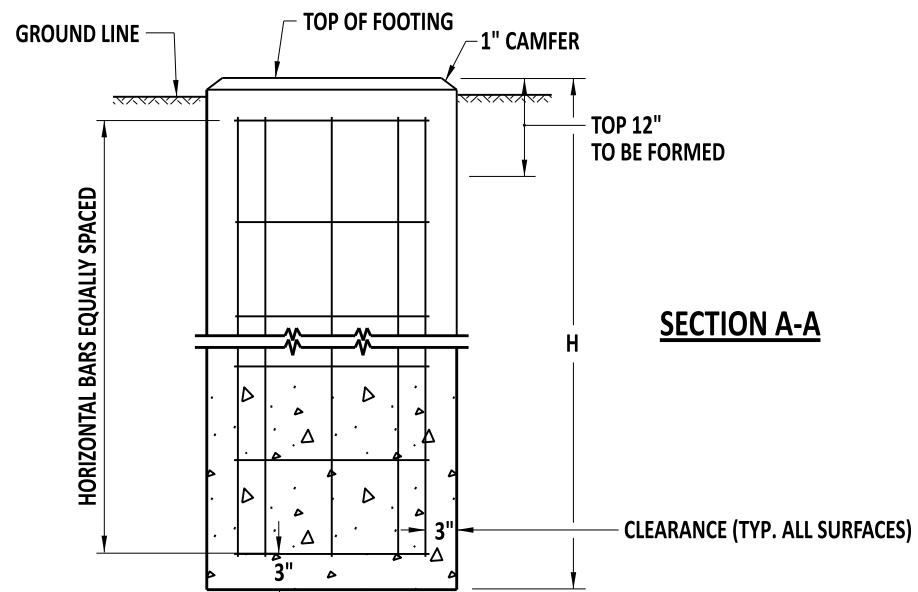
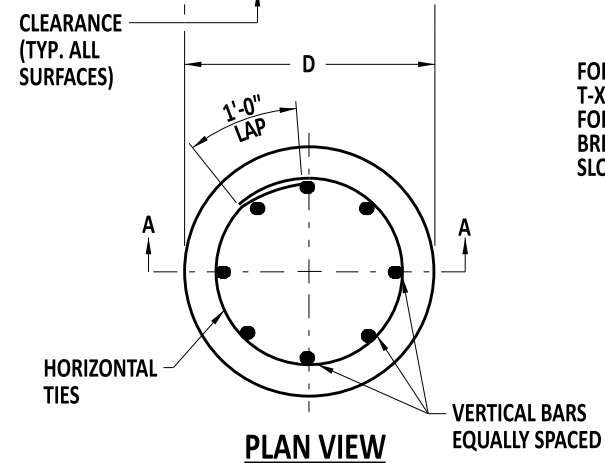


BREAKAWAY TYPE A SIGN POST FOUNDATIONS



SECTION A-A



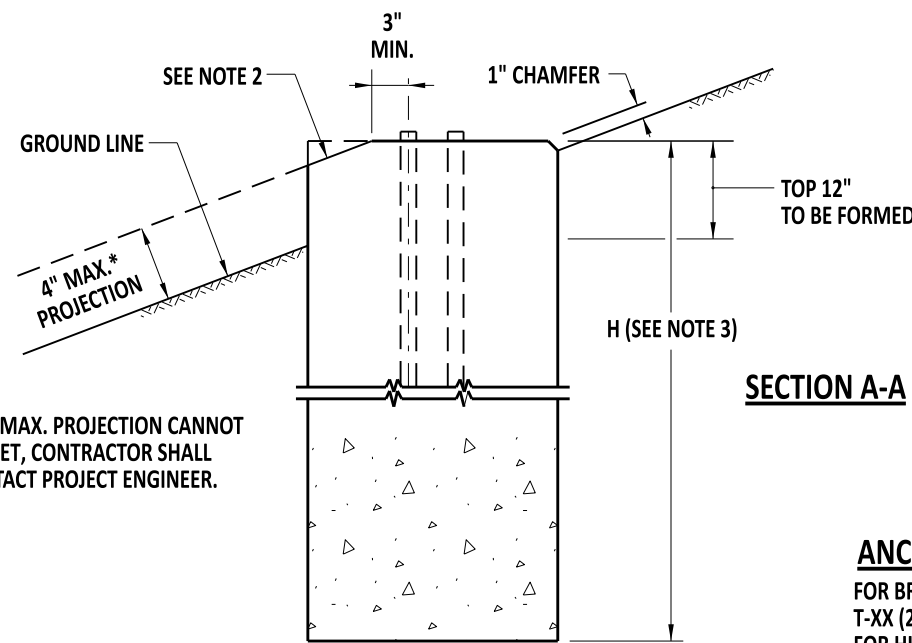
ANCHOR DETAILS

FOR BREAKAWAY BASE DETAILS, REFER TO T-XX (2021) BREAKAWAY BASE SUPPORT SYSTEM FOR HIGHWAY SIGNS STANDARD PLATES AND BREAKAWAY POLES ADJUSTMENT FOR GROUND SLOPES STANDARD PLATE.

FOUNDATION DATA TABLE

POST SIZE	D	H	VERTICAL REINFORCEMENT	HORIZONTAL REINFORCEMENT	CONCRETE REQ'D C.Y.
W6X9	30"	6'-0"	EIGHT (8)- NO.7	SEVEN (7)- NO.4	1.1
W6X12	30"	7'-6"	EIGHT (8)- NO.7	SEVEN (7)- NO.4	1.1
W6X15 OR W6X16	30"	7'-6"	EIGHT (8)- NO.7	SEVEN (7)- NO.4	1.2
W8X18	30"	7'-6"	EIGHT (8)- NO.9	EIGHT (8)- NO.4	1.4
W8X21	30"	8'-0"	EIGHT (8)- NO.9	NINE (9)- NO.4	1.5
W10X22	36"	8'-6"	EIGHT (8)- NO.10	NINE (9)- NO.4	2.3
W10X26	36"	9'-0"	EIGHT (8)- NO.10	TEN (10)- NO.4	2.4
W12X26	36"	10'-0"	EIGHT (8)- NO.10	ELEVEN (11)- NO.4	2.7
W14X30	36"	11'-0"	EIGHT (8)- NO.10	TWELVE (12)- NO.4	2.9
W16X31	36"	12'-0"	EIGHT (8)- NO.10	THIRTEEN (13)- NO.4	3.2
W18X35 OR W18X40	36"	13'-0"	EIGHT (8)- NO.10	FOURTEEN (14)- NO.4	3.5

BREAKAWAY TYPE B SIGN POST FOUNDATIONS



SECTION A-A

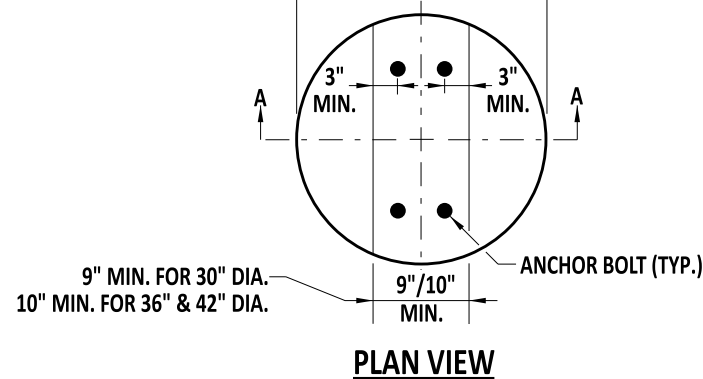
* IF 4" MAX. PROJECTION CANNOT BE MET, CONTRACTOR SHALL CONTACT PROJECT ENGINEER.

ANCHOR DETAILS

FOR BREAKAWAY BASE DETAILS, REFER TO T-XX (2021) BREAKAWAY BASE SUPPORT SYSTEM FOR HIGHWAY SIGNS STANDARD PLATES.

REINFORCING STEEL DETAILS

REFER TO T-XX (2021) GALVANIZED STEEL BEAM SIGN POSTS FOUNDATION DETAILS - TYPE A STANDARD PLATE FOR REINFORCING STEEL DETAILS.



PLAN VIEW

NOTES:

1. THIS FOUNDATION SHALL BE USED ONLY IN LOCATIONS MEETING SLOPE CRITERIA IN ACCORDANCE WITH THE STEEL BREAKAWAY SUPPORT FOUNDATION SELECTION TABLE ON SHEET.
2. SLOPED PORTIONS OF THE FOUNDATION SHALL MATCH THE FINISHED GROUND SLOPE.
3. REFER TO T-XX (2021) GALVANIZED STEEL BEAM SIGN POSTS FOUNDATION DETAILS - TYPE A FOR FOUNDATION DIMENSIONS AND REINFORCING STEEL DETAILS.



Andrew Shott
ENGINEERING SUPPORT
RECOMMENDED
DATE 12/13/2022

BREAKAWAY STEEL SIGN SUPPORT FOUNDATIONS

STANDARD NO. T-23 (2022) SHT. 1 OF 2

REVIEWED

Michael Lee
DEPUTY DIRECTOR - DESIGN
DATE 12/16/2022

APPROVED

Shrey
CHIEF ENGINEER
DATE 12/21/2022