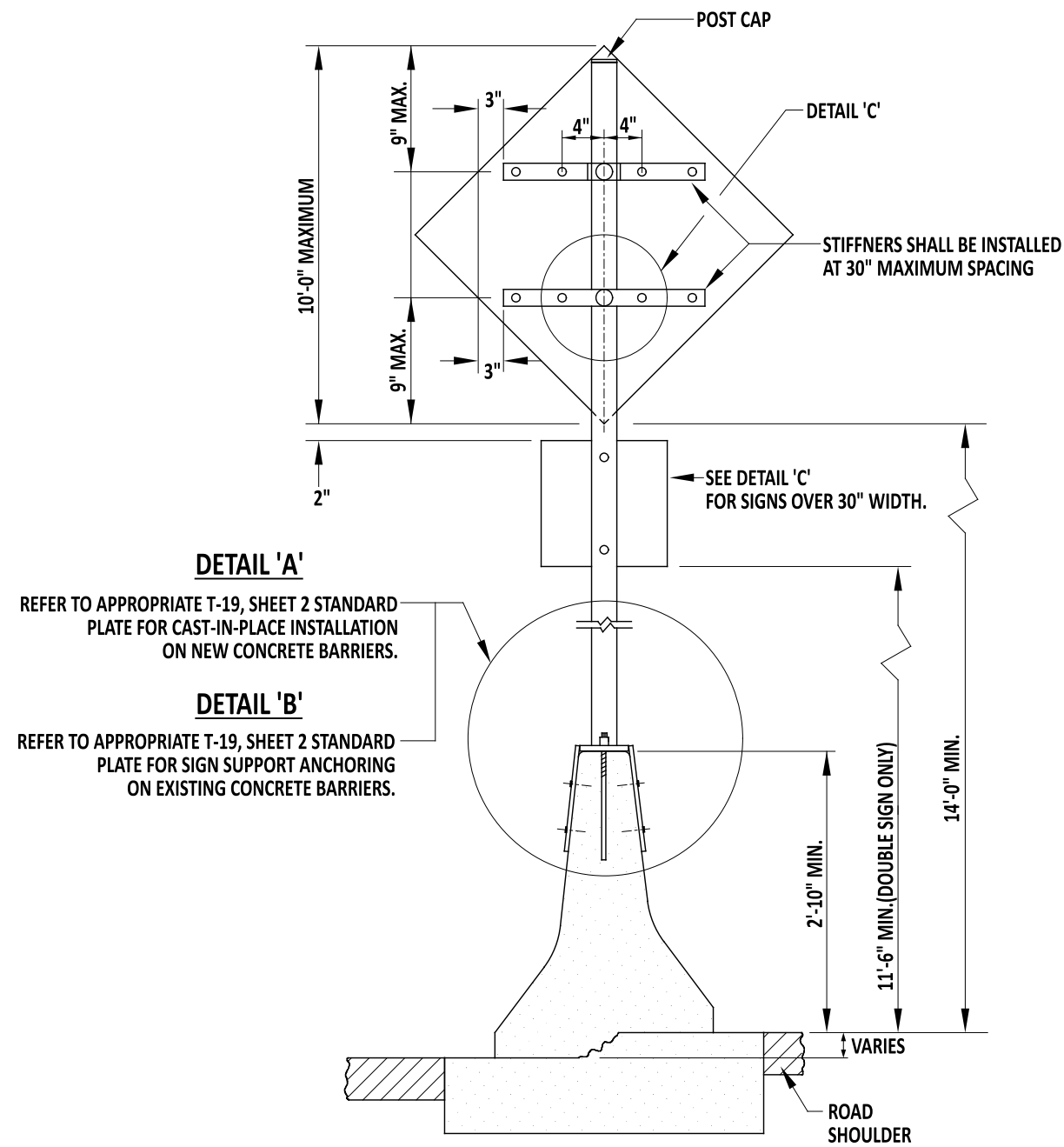
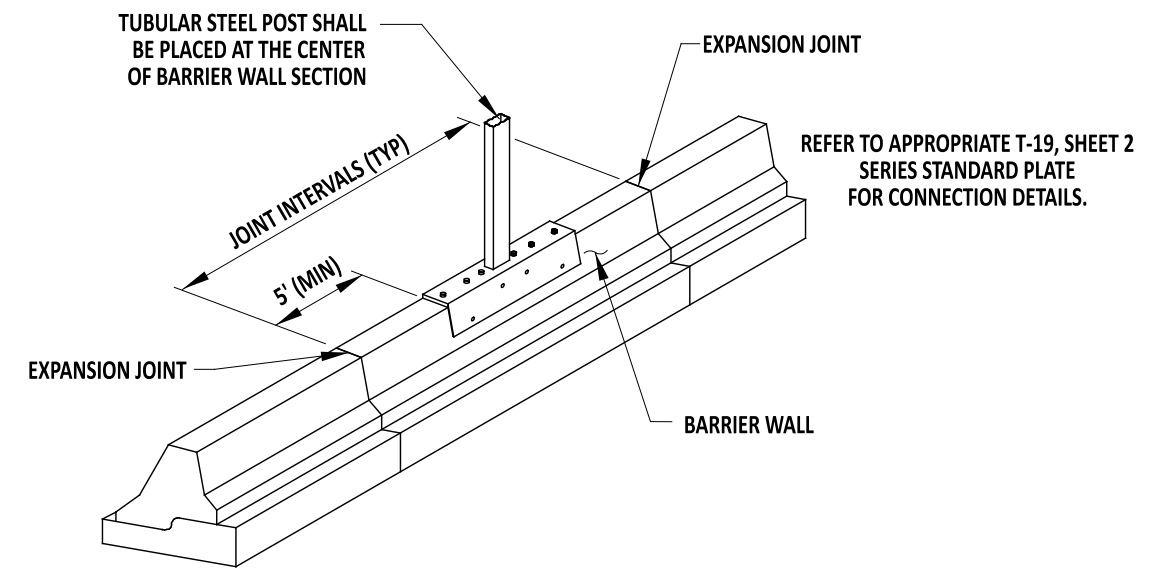
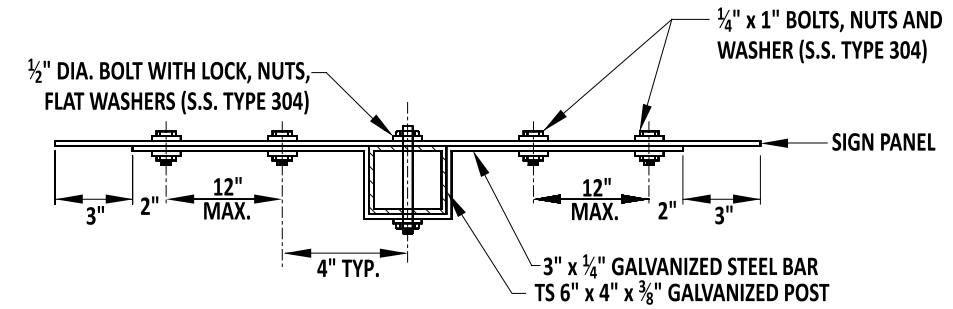


CONCRETE BARRIER MOUNTED SIGN
MAXIMUM SIGN AREA - 40 SQ. FT.



DETAIL 'C' - TOP VIEW
TUBULAR STEEL POST



NOTES:

1. THE BARRIER MOUNT SHALL BE INSTALLED 5' (MIN.) OFF OF ALL EXPANSION JOINTS
2. ANCHOR BOLTS SHALL BE ASTM F 1554, GR 55 S1 GALVANIZED. NUTS SHALL BE ASTM A194 GRADE OR 2H.
3. TUBULAR STEEL POST TS 6" X 4" X 3/8" SHALL BE A501 UNLESS OTHERWISE NOTED.
4. REFER TO APPROPRIATE T-19, SHEET 2 STANDARD PLATES FOR ALTERNATIVE SIGN ATTACHMENT TO STEEL TUBE POSTS OR W6X12 POSTS.
5. ALL STRUCTURAL STEEL AND HARDWARE SHALL BE GALVANIZED IN CONFORMANCE WITH ASTM A123 AND A153, RESPECTIVELY.
6. ALL PLATES AND W6X12 POST SHALL CONFORM TO ASTM A706, GRADE 36.
7. CONCRETE BARRIER MOUNTED SIGN MAXIMUM SIGN AREA OF 40 SQ. FT.



Andrew Shott 7/25/23
 ENGINEERING SUPPORT DATE
RECOMMENDED

BARRIER MOUNTED SIGN
 STANDARD NO. T-19 (2022) SHT. 1 OF 2

REVIEWED *[Signature]* 3 August 2023
 DEPUTY DIRECTOR - DESIGN DATE
APPROVED *[Signature]* 08/10/2023
 CHIEF ENGINEER DATE

REVISED