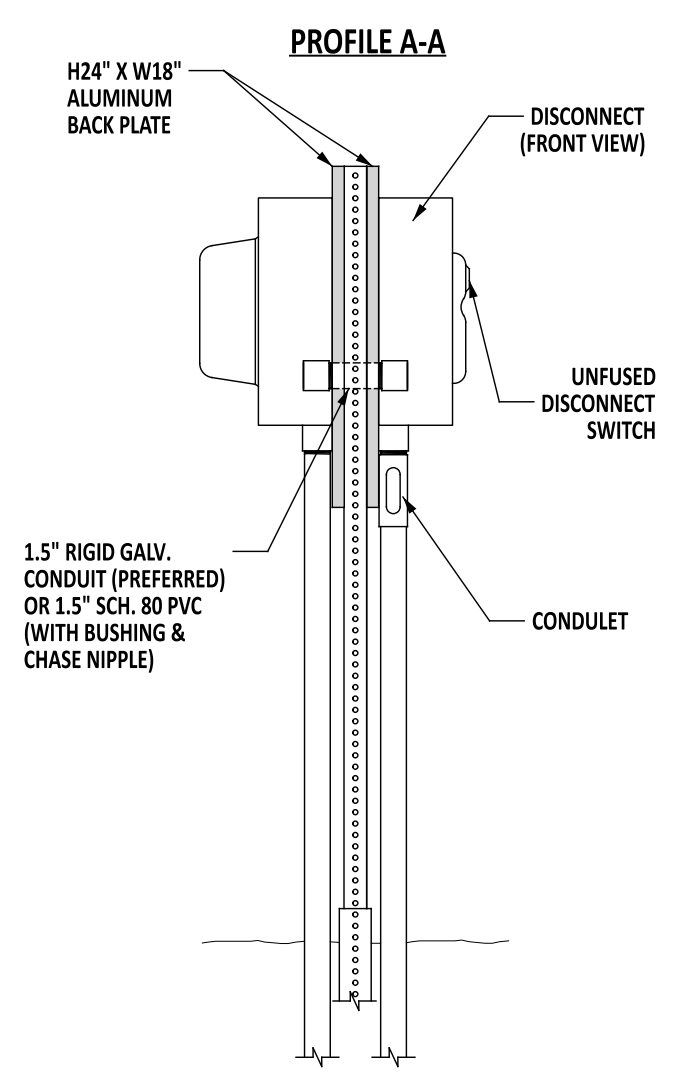
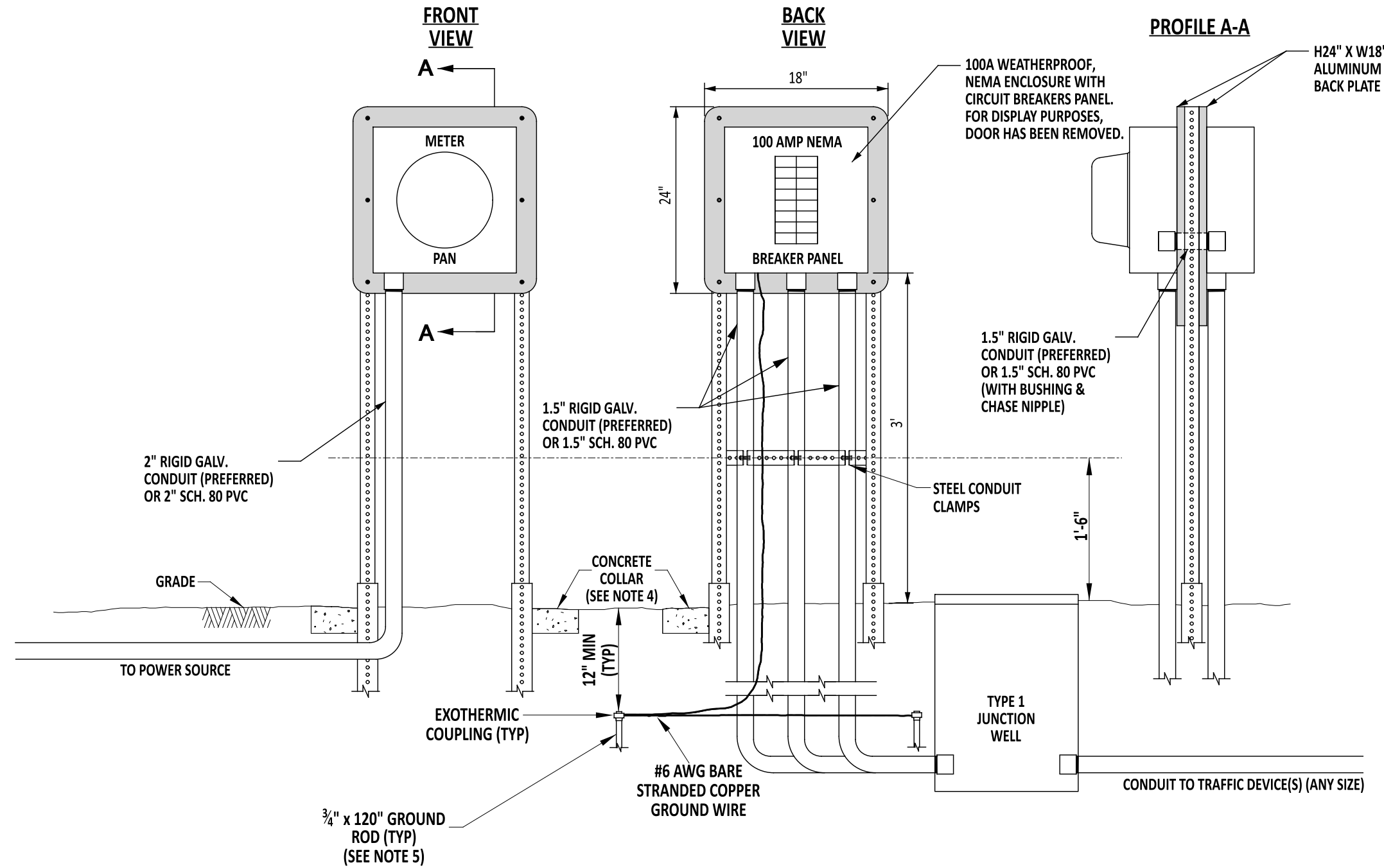


CONDENSED INSTALLATION (3+ DEVICES)

CONDENSED INSTALLATION (UP TO 2 DEVICES)



SPECIALTY DISCONNECT TYPICAL

NOTES

- 1.) PEDESTAL SHALL BE USED WHEN ALL DEVICES ARE CLOSE TO POWER SOURCE.
- 2.) PEDESTAL SHALL BE 5 FEET FROM JUNCTION WELL.
- 3.) TO BE USED FOR 3 OR MORE DEVICES WITHIN CONDENSED SPACE.
- 4.) CONCRETE COLLAR SHALL CONTAIN 25 LBS OF CONCRETE AT EACH LEG JUST BELOW GRADE AS DIRECTED BY INSPECTOR.
- 5.) GROUND ROD SPREAD SHALL BE TWICE THE LENGTH OF THE GROUND ROD.

NOTES

- 1.) TO BE USED FOR 2 OR LESS DEVICES WITHIN CONDENSED SPACE.



Andrew Shott
ENGINEERING SUPPORT
RECOMMENDED
7/25/23
DATE

ELECTRICAL SERVICE PEDESTAL -
SIGNAL & ITS COMPONENT INSTALLATIONS - 100 AMP (CONDENSED)
STANDARD NO. T-17 (2022) SHT. 2 OF 7

REVIEWED
APPROVED
3 August 2023
DATE
08/10/2023
DATE

REVISED