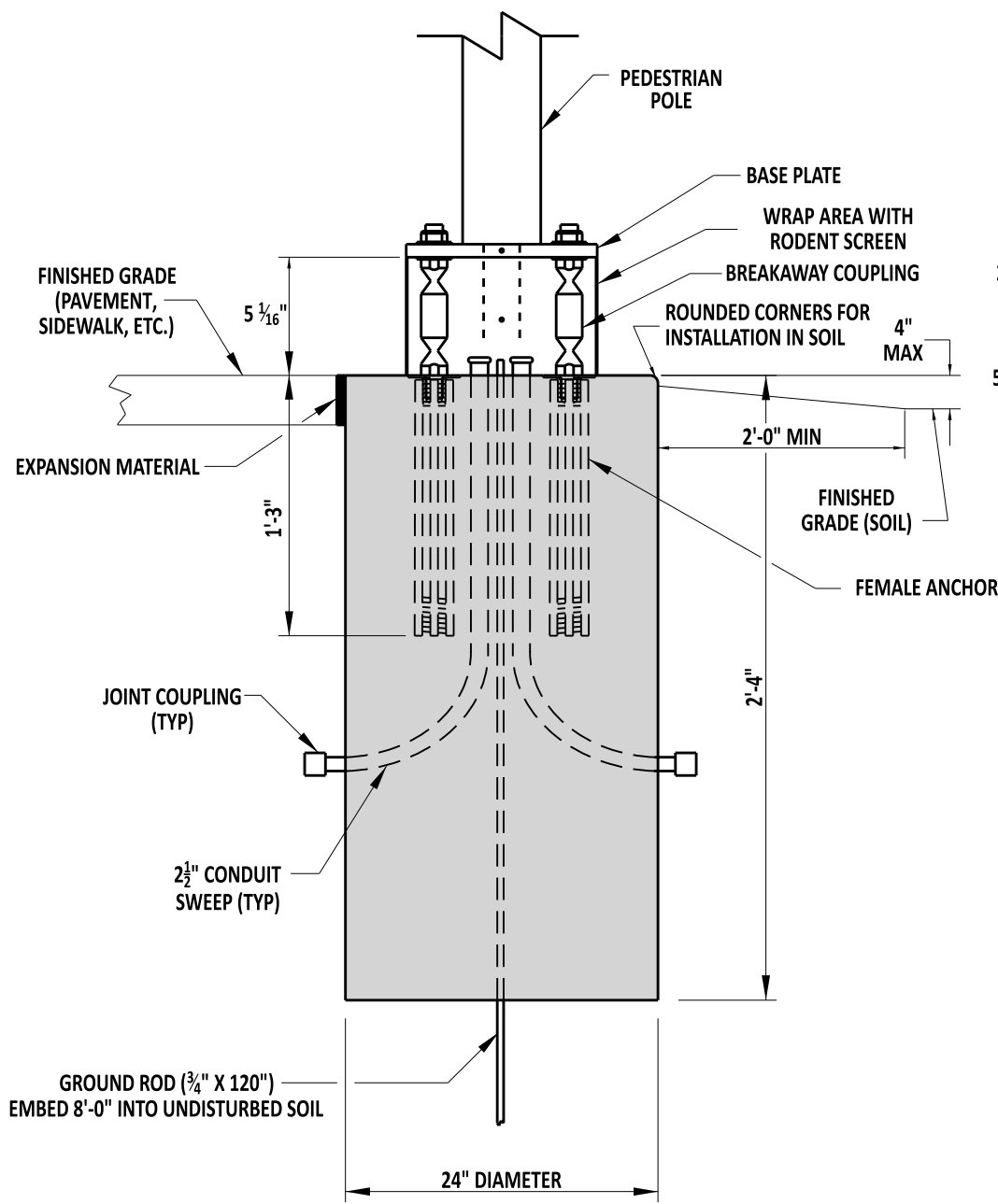
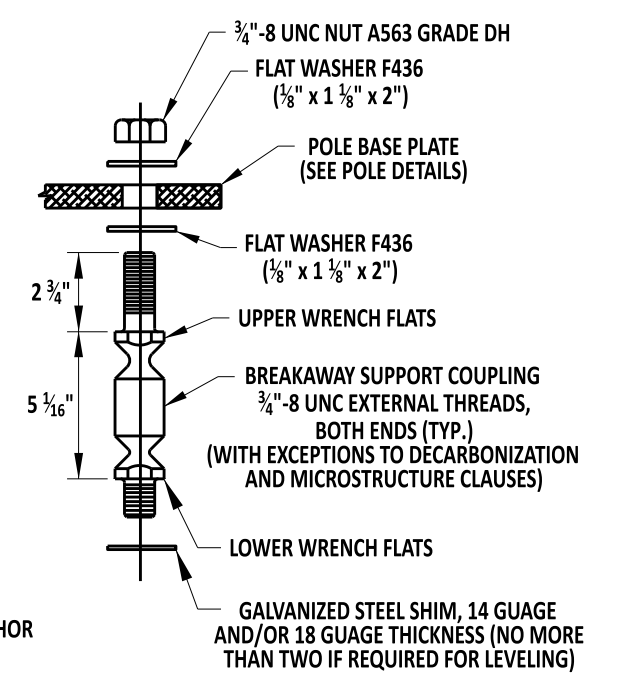


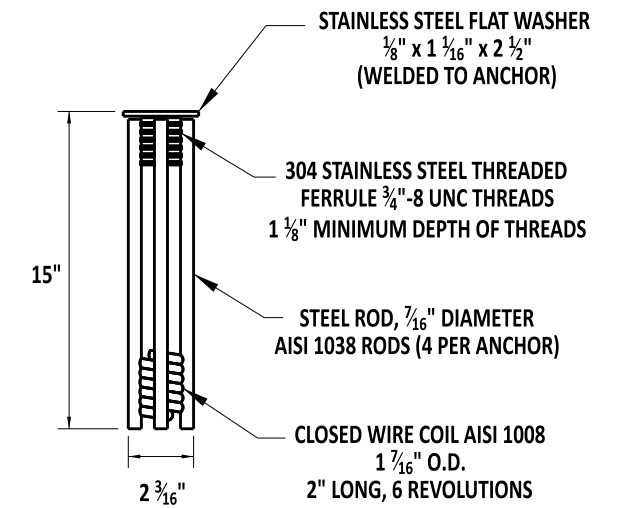
TYPICAL SECTION (BASE 4A)



TYPICAL SECTION (BASE 4B)



BREAKAWAY COUPLING DETAIL



ANCHOR DETAIL

NOTE: BOLT PATTERN TO BE PROVIDED BY DELDOT'S SIGNAL CONSTRUCTION INSPECTOR.

NOTE: BOLT PATTERN TO BE PROVIDED BY DELDOT'S SIGNAL CONSTRUCTION INSPECTOR.

	 Andrew Shott ENGINEERING SUPPORT 12/13/2022 DATE	POLE BASES - TYPICAL SECTION (BASE 4A AND 4B) AND ANCHOR AND BREAKAWAY COUPLING			REVIEWED DEPUTY DIRECTOR - DESIGN 12/16/2022 DATE
	RECOMMENDED	STANDARD NO. T-5 (2022)	SHT. 5 OF 5	APPROVED CHIEF ENGINEER 12/21/2022 DATE	