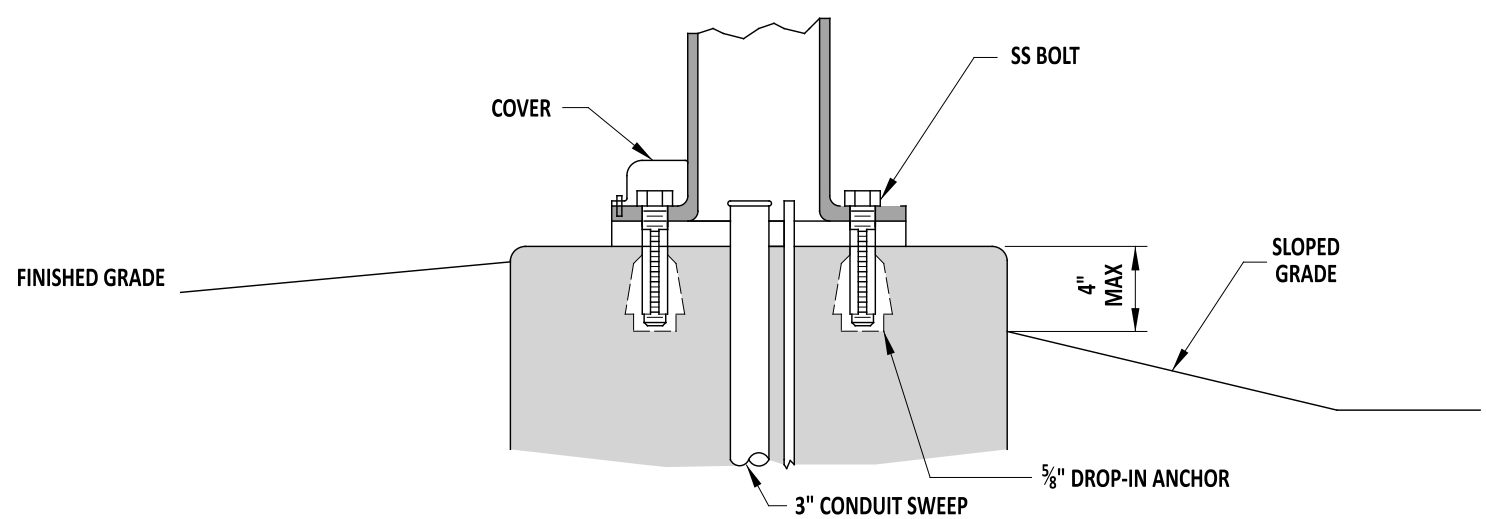


TYPICAL SECTION (BASE 6B)

POLE BASE DATA CHART					
POLE BASE TYPE #	DIAMETER	DEPTH	#5 HORIZONTICAL REINFORCING BARS	#8 VERTICAL REINFORCING BARS	CONDUITS
1	36"	7'-0"	5	8	2 - 3"
2	36"	10'-0"	6	8	2 - 3"
2A	48"	8'-0"	5	8	2 - 3"
2B	60"	7'-0"	5	8	2 - 3"
3	48"	10'-0"	14	17	2 - 3"
3A	48"	12'-0"	17	17	2 - 3"
3B	48"	15'-0"	21	17	2 - 3"
3C	48"	20'-0"	27	17	2 - 3"
4A & 4B	24"	2'-4"	NONE	NONE	2 - 2.5"
6 & 6B	24"	6'-0"	4	8	2 - 3"



TYPICAL INSTALLATION (BASE 6B)

NOTE:

- DROP-IN ANCHORS AND BOLT PATTERN FOR TYPE 6 POLE BASES TO BE PROVIDED BY THE MANUFACTURER.
- STRAIN POLES SHALL USE 2 1/4" ANCHOR BOLTS AND MAST ARMS UP TO 60' SHALL USE 2" ANCHOR BOLTS. ANCHOR BOLTS ARE TO BE SUPPLIED BY THE DEPARTMENT.
- MAST ARMS FROM 70-90' SHALL USE 2 1/2" ANCHOR BOLTS, SUPPLIED BY THE DEPARTMENT.
- ALL OTHER POLE BASES NOT LISTED SHALL ADHERE TO MANUFACTURER AND DEPARTMENT STANDARDS.
- PER MANUFACTURER SPECIFICATIONS AND DETAILS, THE CONTRACTOR SHALL ENSURE THAT THE FOLLOWING LENGTH OF THREADS ARE EXPOSED PER EACH POLE TYPE:

- STRAIN: 10 1/2"
- B (MAST): 9 1/2"
- C (MAST): 11 1/4"
- CAMERA: 7"
- LIGHTING: 4 1/2"

- MAXIMUM EXPOSED FOUNDATION DEPTH OF 4" AT FINISHED GRADE IN ANY ORIENTATION AROUND POLE BASE.



Andrew Shott
ENGINEERING SUPPORT
RECOMMENDED
DATE: 7/25/23

POLE BASES - TYPICAL SECTION (BASE 6B)
AND POLE BASE DATA CHART
STANDARD NO. T-5 (2022)
SHT. 4 OF 5

REVIEWED
APPROVED
DEPUTY DIRECTOR - DESIGN
CHIEF ENGINEER
DATE: 3 August 2023
DATE: 08/10/2023

REVISED