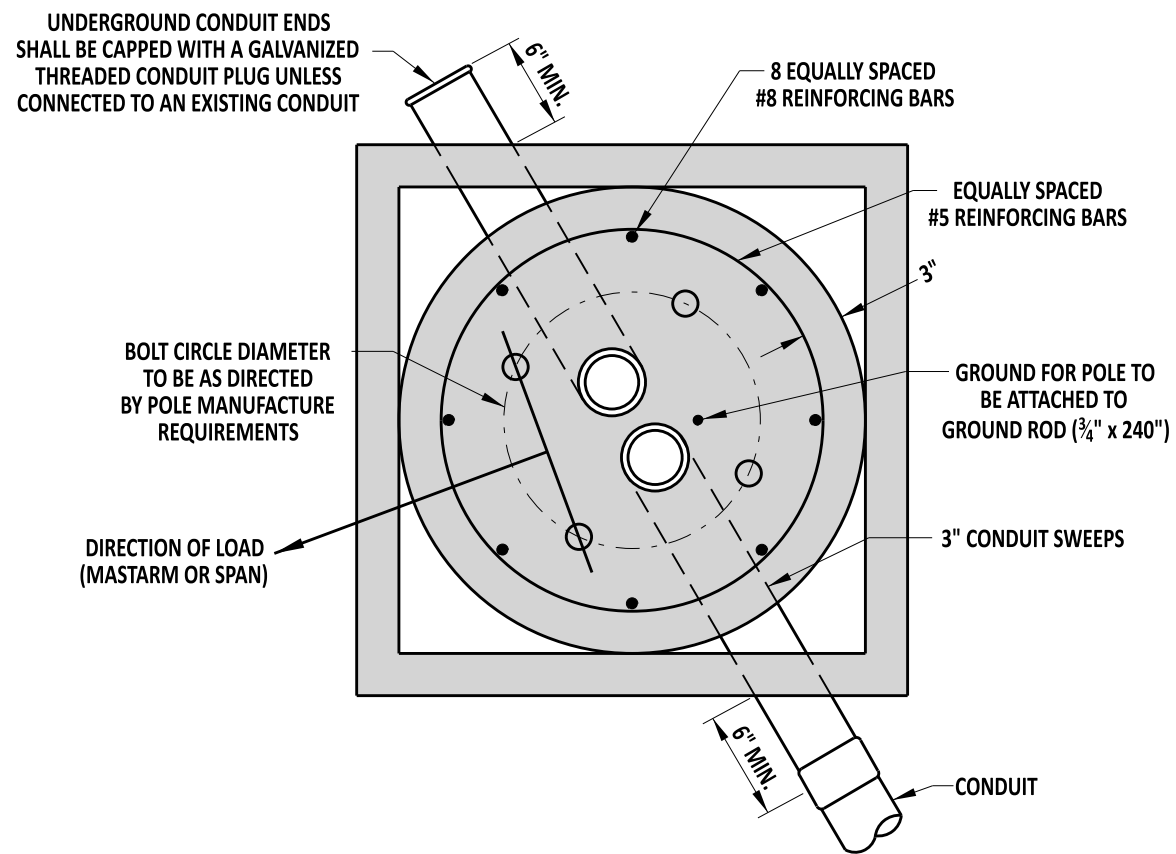


**ROUND BASE**



**ROUND BASE w/ SQUARE FOUNDATION HEADER**

**NOTE:** SQUARE FOUNDATION HEADER SHALL HAVE A 6" MINIMUM DEPTH.



*Andrew Shott*  
ENGINEERING SUPPORT  
RECOMMENDED  
12/13/2022  
DATE

POLE BASES - ROUND BASE & ROUND BASE WITH SQUARE FOUNDATION HEADER  
STANDARD NO. T-5 (2022)  
SHT. 1 OF 5

REVIEWED  
DEPUTY DIRECTOR - DESIGN  
*Mike Lee*  
12/16/2022  
DATE  
APPROVED  
CHIEF ENGINEER  
*Shrey*  
12/21/2022  
DATE