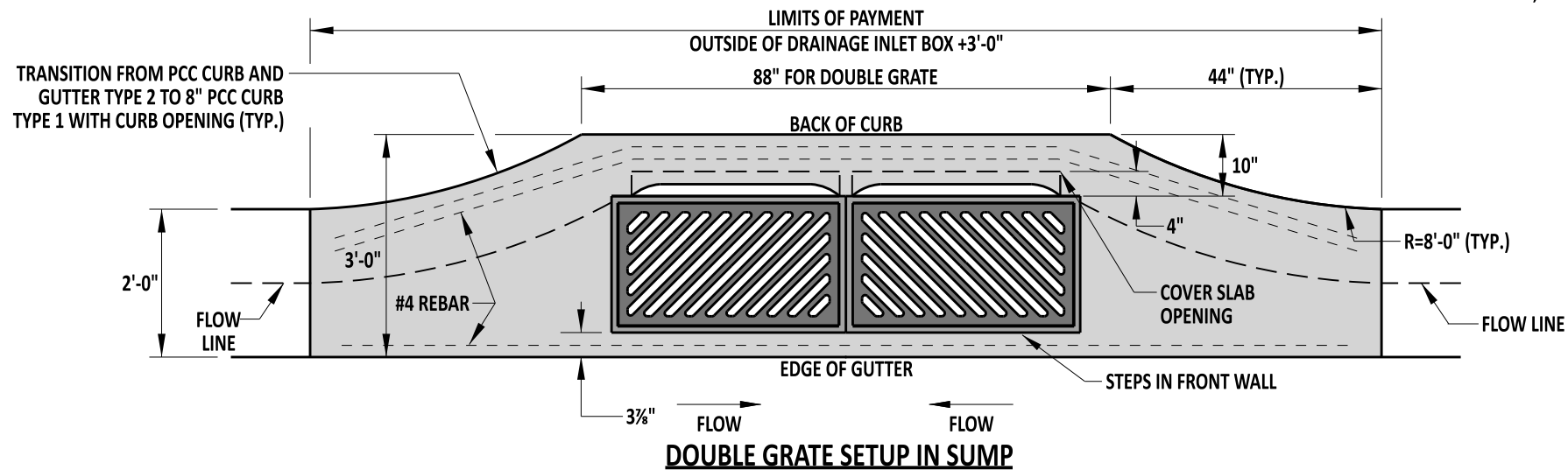
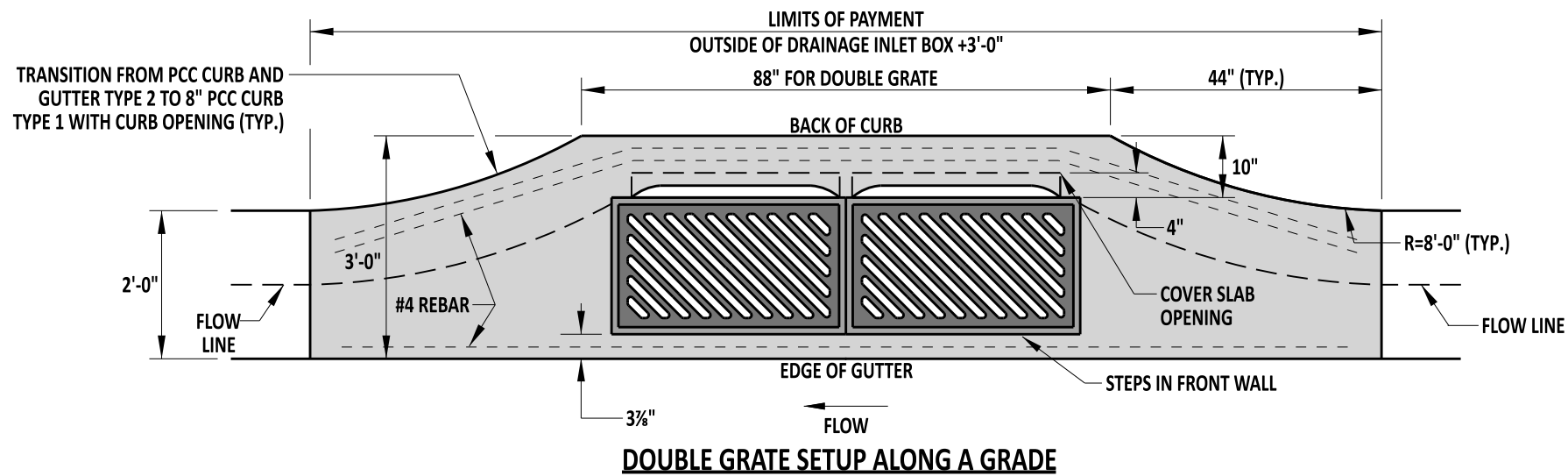


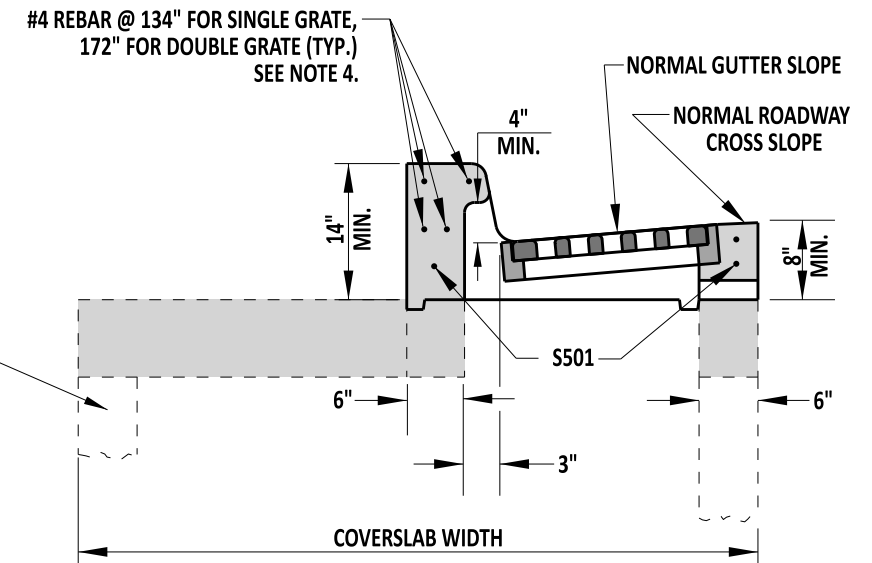
**SINGLE GRATE SETUP**



**DOUBLE GRATE SETUP IN SUMP**



**DOUBLE GRATE SETUP ALONG A GRADE**



**SUBDIVISION TOP & CONFIGURATION**

- NOTES:**
- 1). MINIMUM BOX SIZE TO BE 34" x 24".
  - 2). FOR PIPE OPENINGS IN THE FRONT WALL, SHIFT THE PIPE HORIZONTALLY TO AVOID INTERFERENCE WITH THE STEPS. IT MAY BE NECESSARY TO USE A LARGER BOX TO AVOID CONFLICT BETWEEN STEPS AND PIPE OPENING.
  - 3). SEE D-5, SHEET 3 OF 9, FOR S501 BAR DIAGRAM.
  - 4). THE REBAR IN THE HEAD IS PREFERRED TO BE ONE CONTINUOUS PIECE. HOWEVER, IF MULTIPLE PIECES ARE TO BE USED, PROVIDE A 12" MINIMUM LAP AND THE TOTAL LENGTH OF REBAR AS NOTED ON THIS DETAIL.



Andrew Shott  
ENGINEERING SUPPORT  
RECOMMENDED  
12/13/2022  
DATE

DRAINAGE INLET TOP UNIT, TYPE S  
STANDARD NO. D-5 (2022)  
SHT. 8 OF 9

REVIEWED  
APPROVED  
DEPUTY DIRECTOR - DESIGN  
CHIEF ENGINEER  
12/16/2022  
DATE  
12/21/2022  
DATE