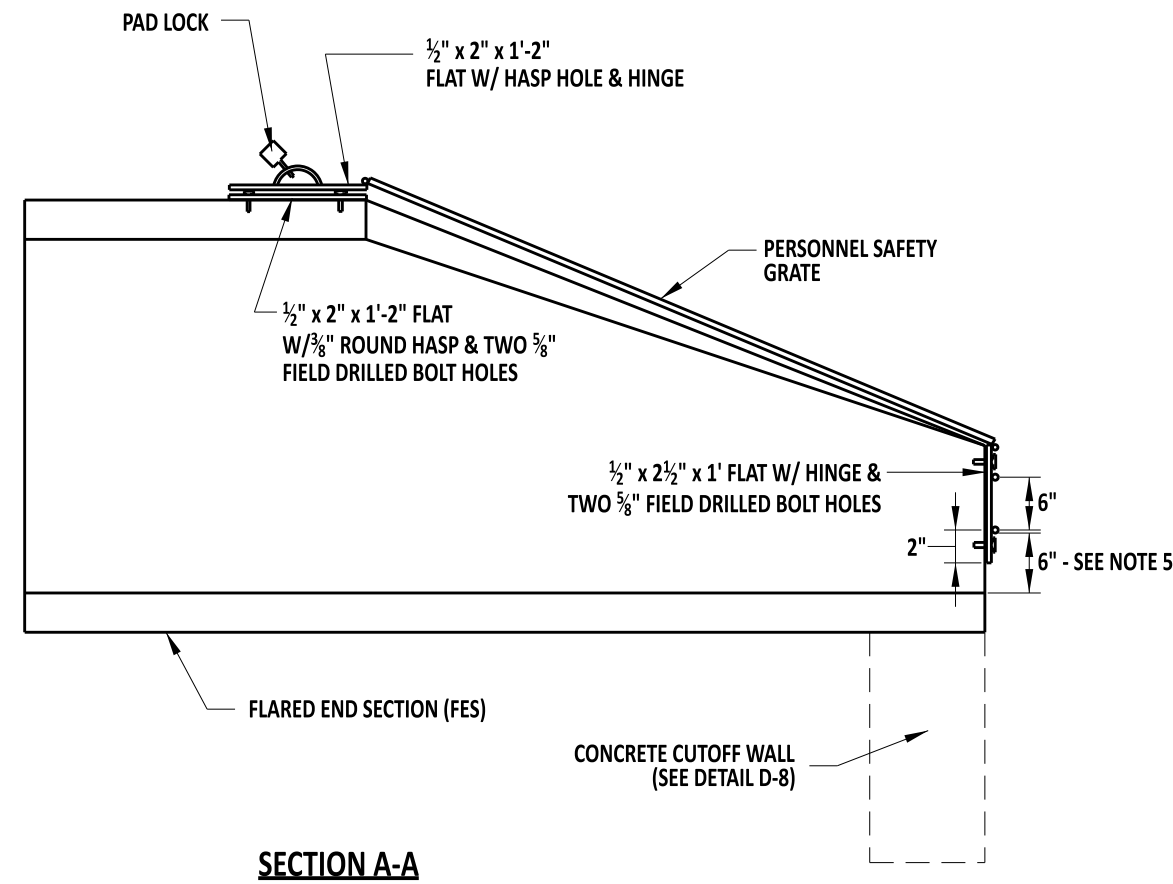


**PLAN VIEW**



**SECTION A-A**

**NOTES:**

- 1). INSTALL PERSONEL SAFETY GRATES (PSG) ON THE INLETS OF STORM WATER PIPES 12" OR LARGER IN DIAMETER THAT ARE NOT STRAIGHT FROM THE INLET TO THE OPEN OUTLET.
- 2). IF A TRAVERSABLE GRATE OR AN INTERNAL ENGERGY DISSIPATER IS INSTALLED ON THE OUTLET OF A STORM WATER PIPE 12" OR LARGER IN DIAMETER, A PSG MUST BE INSTALLED ON THE INLET.
- 3). FIT THE GRATE TO THE OUTSIDE PERIMETER OF THE FLARED END SECTION (FES)  $\pm \frac{1}{2}$ ".
- 4). DRILL ALL BOLT HOLES IN THE FIELD.
- 5). INSTALL A STIFFENER WHERE TWO OR MORE BARS ARE USED.
- 6). PLACE BOTTOM BAR 6" ABOVE INVERT OF FES.
- 7). ATTACH ALL HARDWARE IN CONCRETE USING APPROVED TAMPER PROOF ANCHORS.



*Andrew Shott*  
 ENGINEERING SUPPORT  
 RECOMMENDED  
 DATE 12/13/2022

**PERSONNEL SAFETY GRATE FOR PIPE INLET**

STANDARD NO. D-3 (2022) SHT. 2 OF 2

REVIEWED

*Mike Jones*  
 DEPUTY DIRECTOR - DESIGN  
 DATE 12/16/2022

APPROVED

*Shrey*  
 CHIEF ENGINEER  
 DATE 12/21/2022