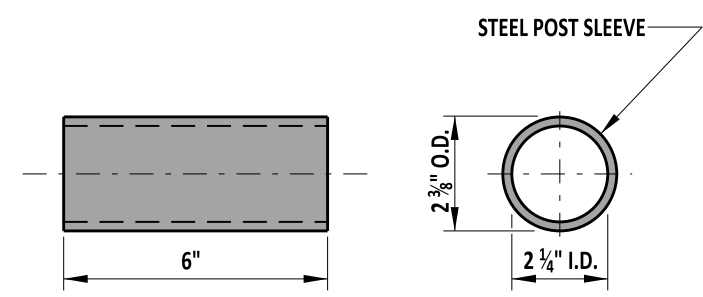
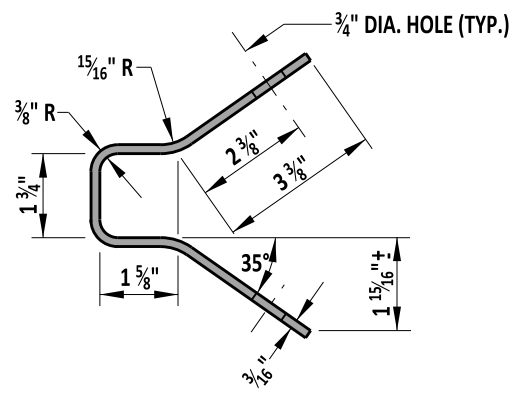


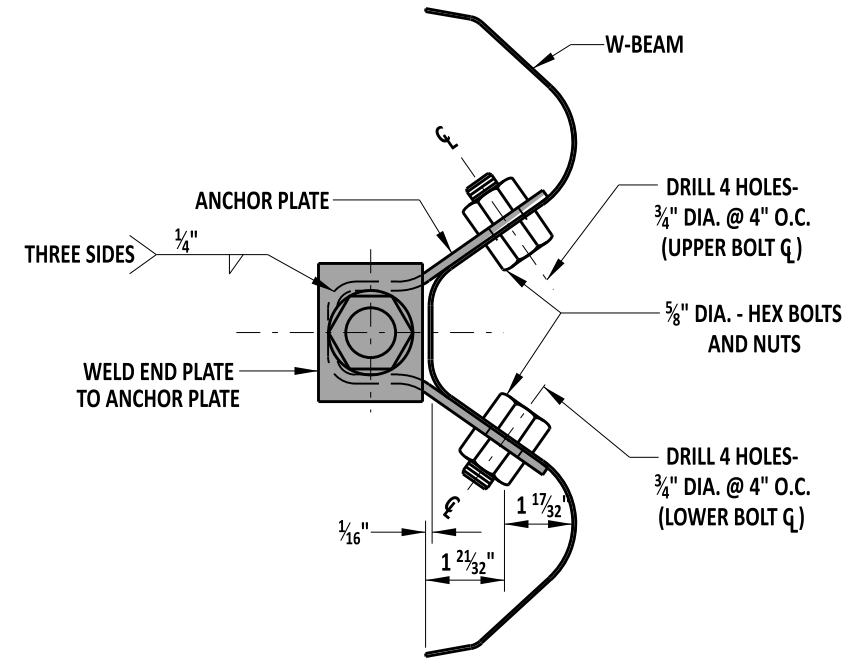
SWAGED CABLE ASSEMBLY AND RELATED HARDWARE ASSEMBLY



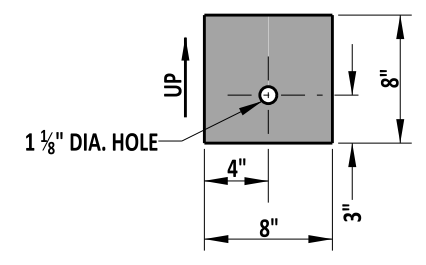
POST SLEEVE



SECTION A-A

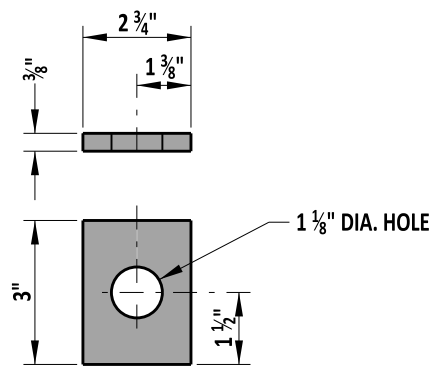


ANCHOR PLATE TO W-BEAM CONNECTION DETAIL



TIMBER BEARING PLATE

5/8" THICKNESS



END PLATE

3/8" THICKNESS

NOTES:

- 1). PLACE A 1/2" WIDE GALVANIZED RETAINING TIE STRAP AROUND THE SHORT TIMBER BREAKAWAY POST AND TIMBER BEARING PLATE TO ENSURE PROPER ORIENTATION OF THE TIMBER BEARING PLATE.
- 2). TIGHTEN ASSEMBLY UNTIL CABLE IS TAUGHT.
- 3). ALL HOLES SHALL BE DRILLED PRIOR TO GALVANIZING.



Andrew Shott
ENGINEERING SUPPORT
RECOMMENDED
12/13/2022
DATE

END ANCHORAGE HARDWARE			
STANDARD NO.	B-13 (2022)	SHT.	8 OF 12

REVIEWED
DEPUTY DIRECTOR - DESIGN
12/16/2022
DATE

APPROVED
CHIEF ENGINEER
12/21/2022
DATE