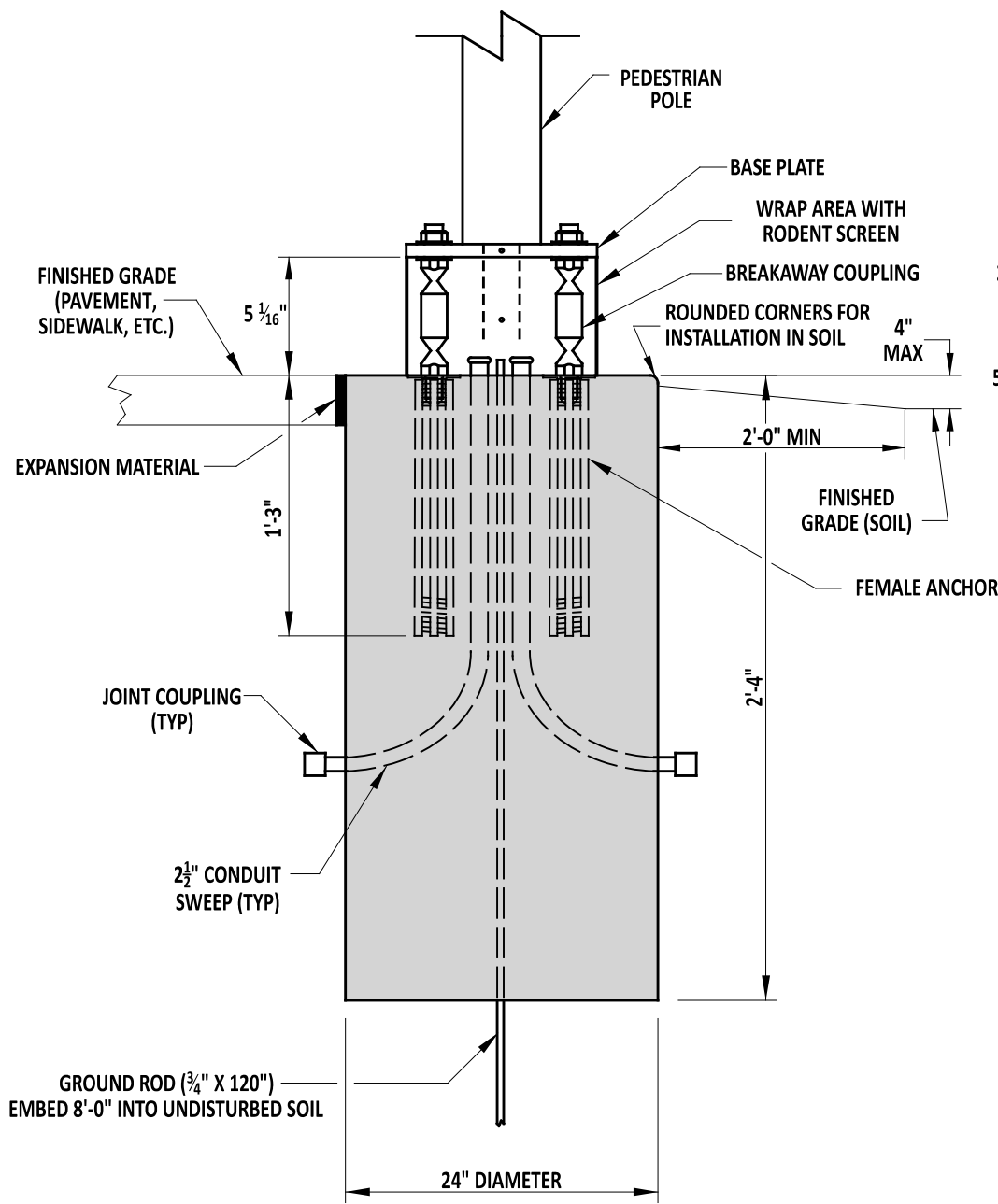
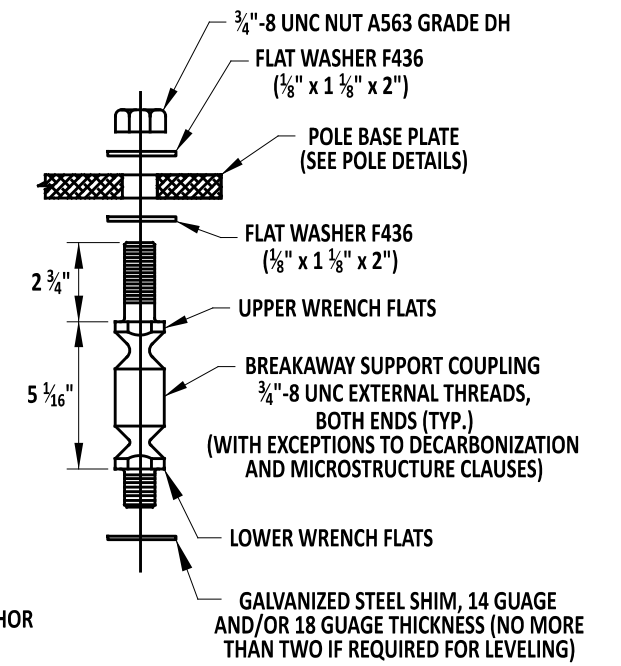


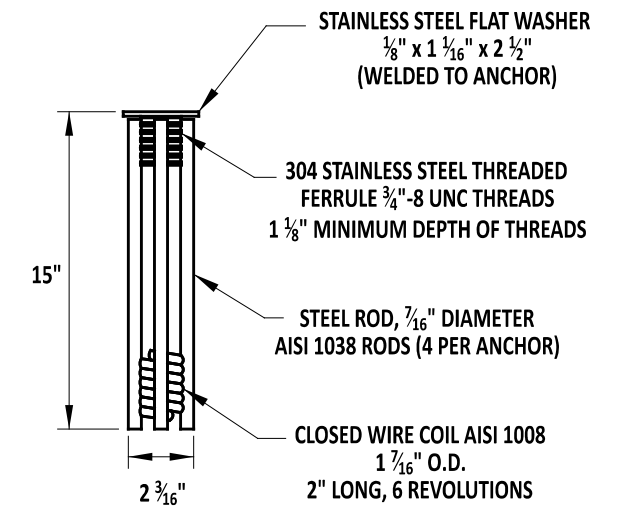
TYPICAL SECTION (BASE 4A)



TYPICAL SECTION (BASE 4B)



BREAKAWAY COUPLING DETAIL



ANCHOR DETAIL

NOTE:
 BOLT PATTERN TO BE PROVIDED BY DELDOT'S SIGNAL CONSTRUCTION INSPECTOR.

NOTE:
 BOLT PATTERN TO BE PROVIDED BY DELDOT'S SIGNAL CONSTRUCTION INSPECTOR.

	 ENGINEERING SUPPORT RECOMMENDED	POLE BASES - TYPICAL SECTION (BASE 4A AND 4B) AND ANCHOR AND BREAKAWAY COUPLING		REVIEWED DEPUTY DIRECTOR - DESIGN	12/08/2021 DATE
	STANDARD NO. T-5 (2021)	SHT. 4 OF 4	APPROVED CHIEF ENGINEER	12/20/2021 DATE	