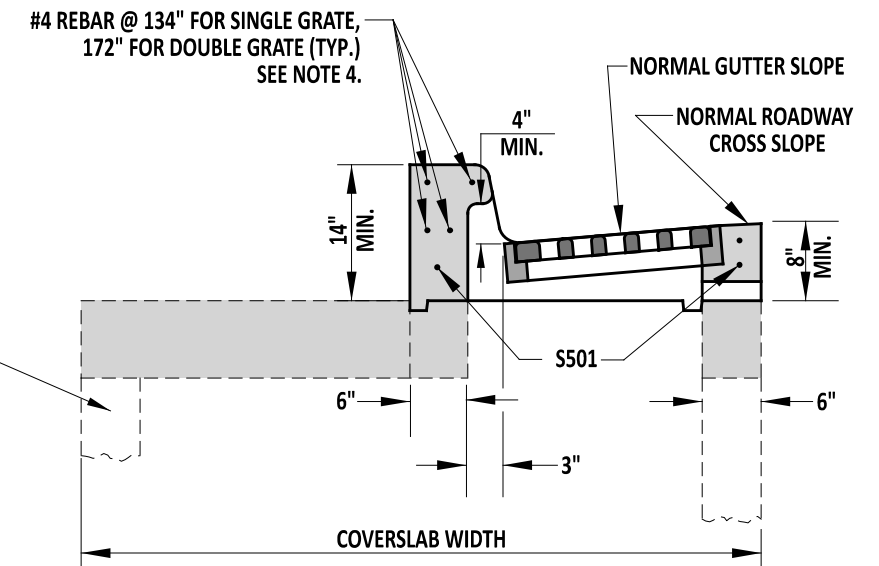
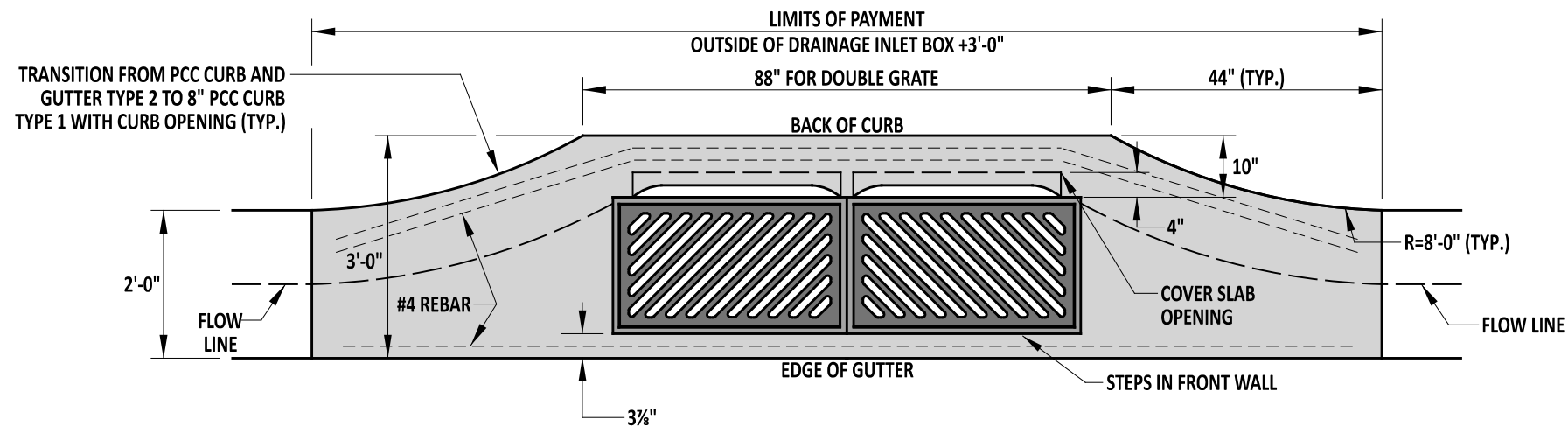


SINGLE GRATE SETUP



SUBDIVISION TOP & CONFIGURATION



DOUBLE GRATE SETUP

NOTES:

- 1). MINIMUM BOX SIZE TO BE 34" x 24".
- 2). FOR PIPE OPENINGS IN THE FRONT WALL, SHIFT THE PIPE HORIZONTALLY TO AVOID INTERFERENCE WITH THE STEPS. IT MAY BE NECESSARY TO USE A LARGER BOX TO AVOID CONFLICT BETWEEN STEPS AND PIPE OPENING.
- 3). SEE D-5, SHEET 3 OF 9, FOR S501 BAR DIAGRAM.
- 4). THE REBAR IN THE HEAD IS PREFERRED TO BE ONE CONTINUOUS PIECE. HOWEVER, IF MULTIPLE PIECES ARE TO BE USED, PROVIDE A 12" MINIMUM LAP AND THE TOTAL LENGTH OF REBAR AS NOTED ON THIS DETAIL.




 ENGINEERING SUPPORT
 RECOMMENDED
 DATE 12/08/2021

DRAINAGE INLET TOP UNIT, TYPE S
 STANDARD NO. D-5 (2021) SHT. 8 OF 9

REVIEWED 
 DEPUTY DIRECTOR - DESIGN DATE 12/08/2021
 APPROVED 
 CHIEF ENGINEER DATE 12/20/2021