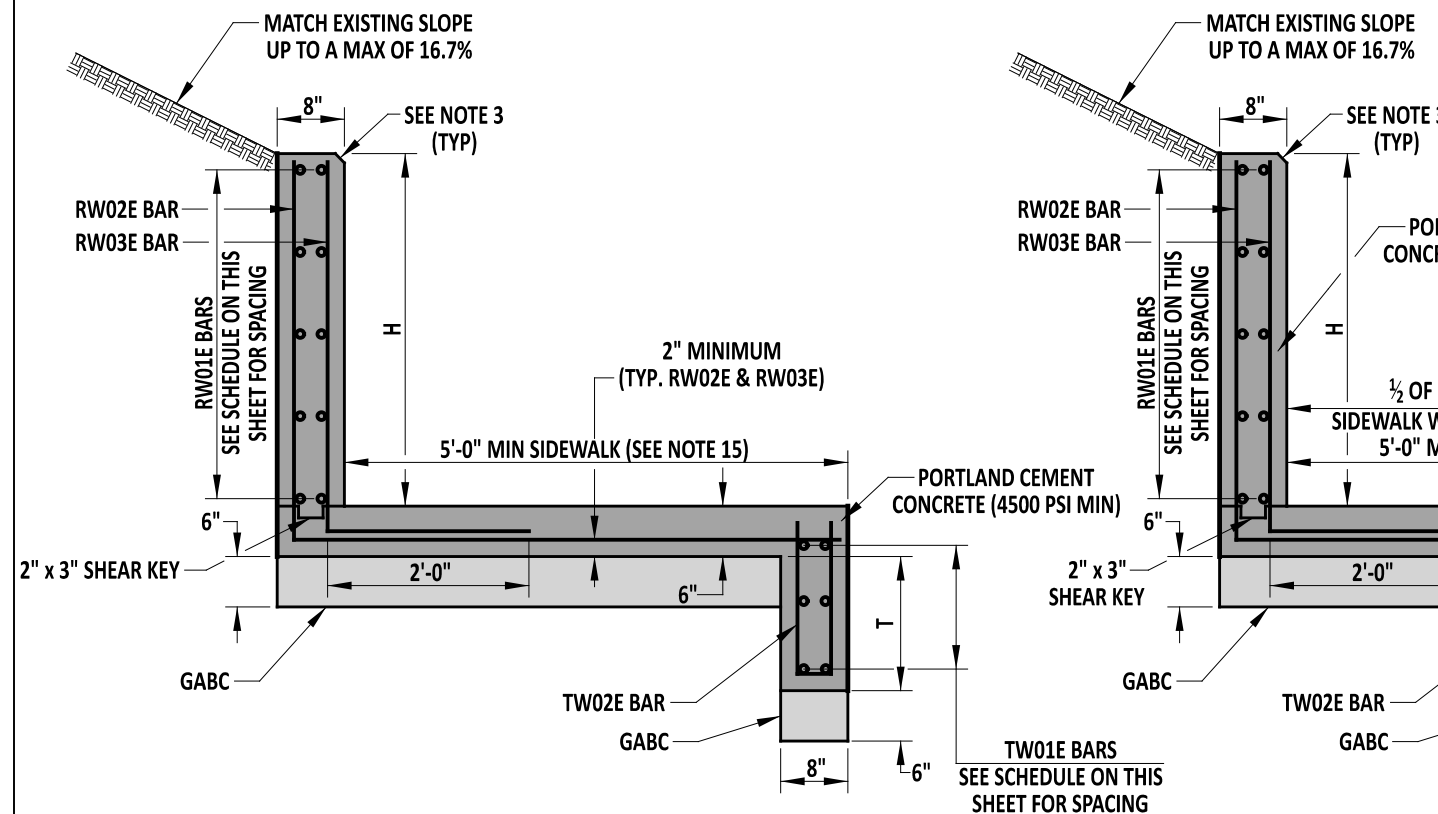
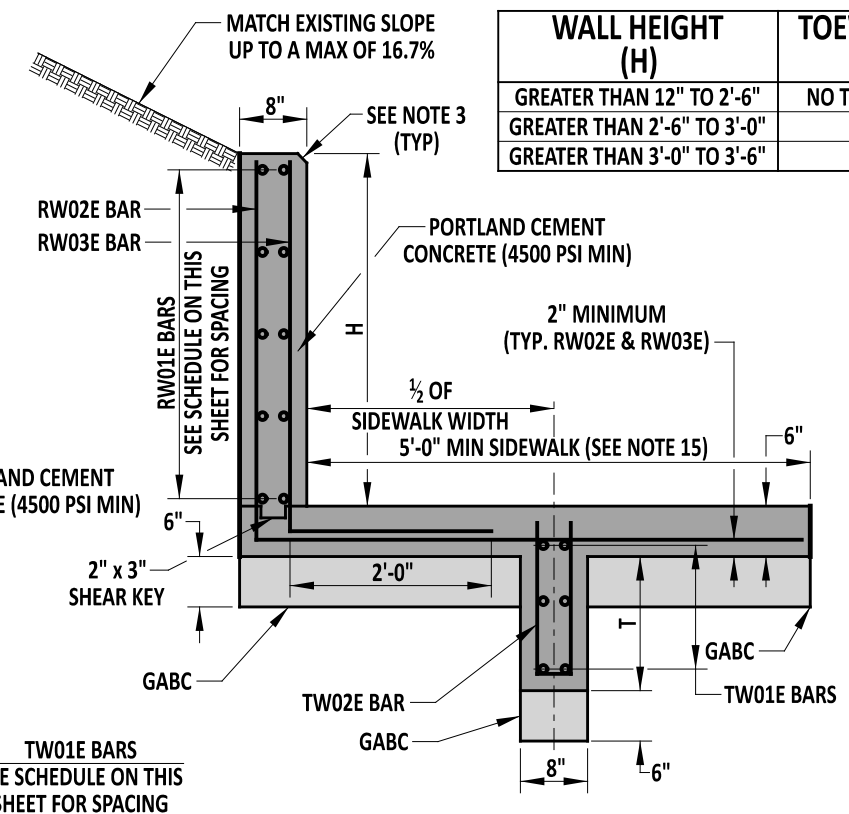


WALL HEIGHT (H)	TOEWALL DEPTH (T)	REQUIRED TRANSVERSE REINFORCEMENT	REQUIRED LONGITUDINAL REINFORCEMENT
GREATER THAN 12" TO 2'-6"	NO TOEWALL NEEDED	#4 BARS @ 6" (RW02E, & RW03E)	#4 BARS @ 12" (RW01E & TW01E)
GREATER THAN 2'-6" TO 3'-0"	6"	#4 BARS @ 6" (RW02E, RW03E, & TW02E)	#4 BARS @ 12" (RW01E & TW01E)
GREATER THAN 3'-0" TO 3'-6"	12"	#5 BARS @ 6" (RW02E, RW03E, & TW02E)	#4 BARS @ 12" (RW01E & TW01E)

SCALE : NTS



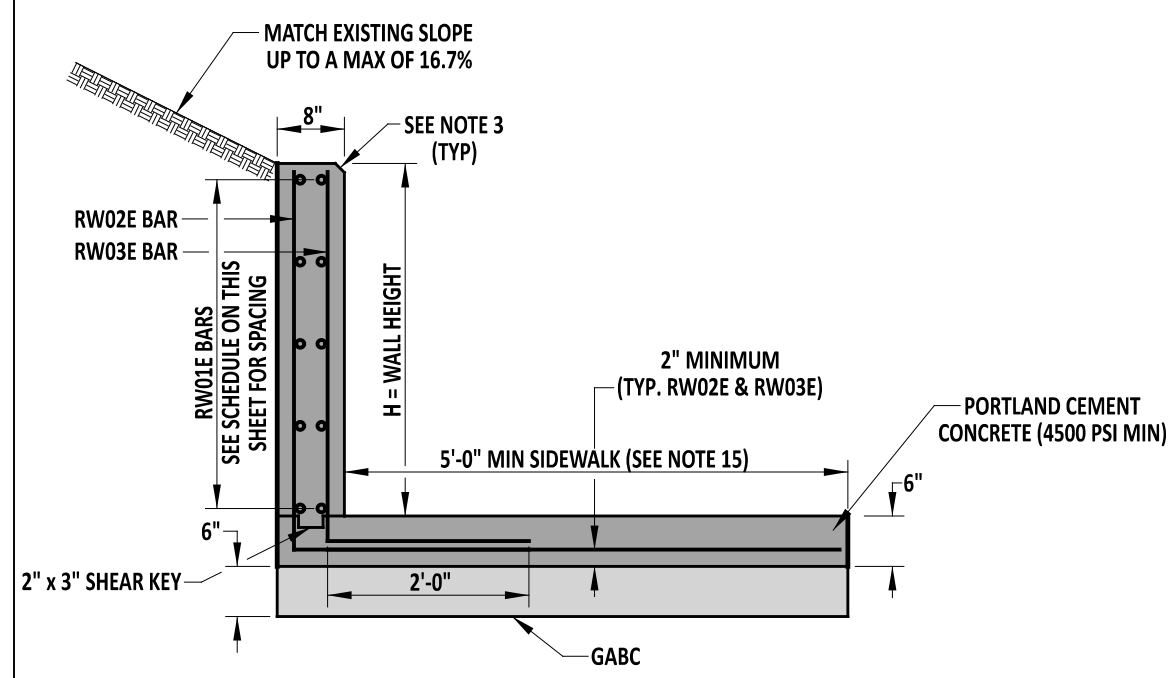
**CURB RETAINING WALL SECTION**  
FOR H GREATER THAN 2'-6"



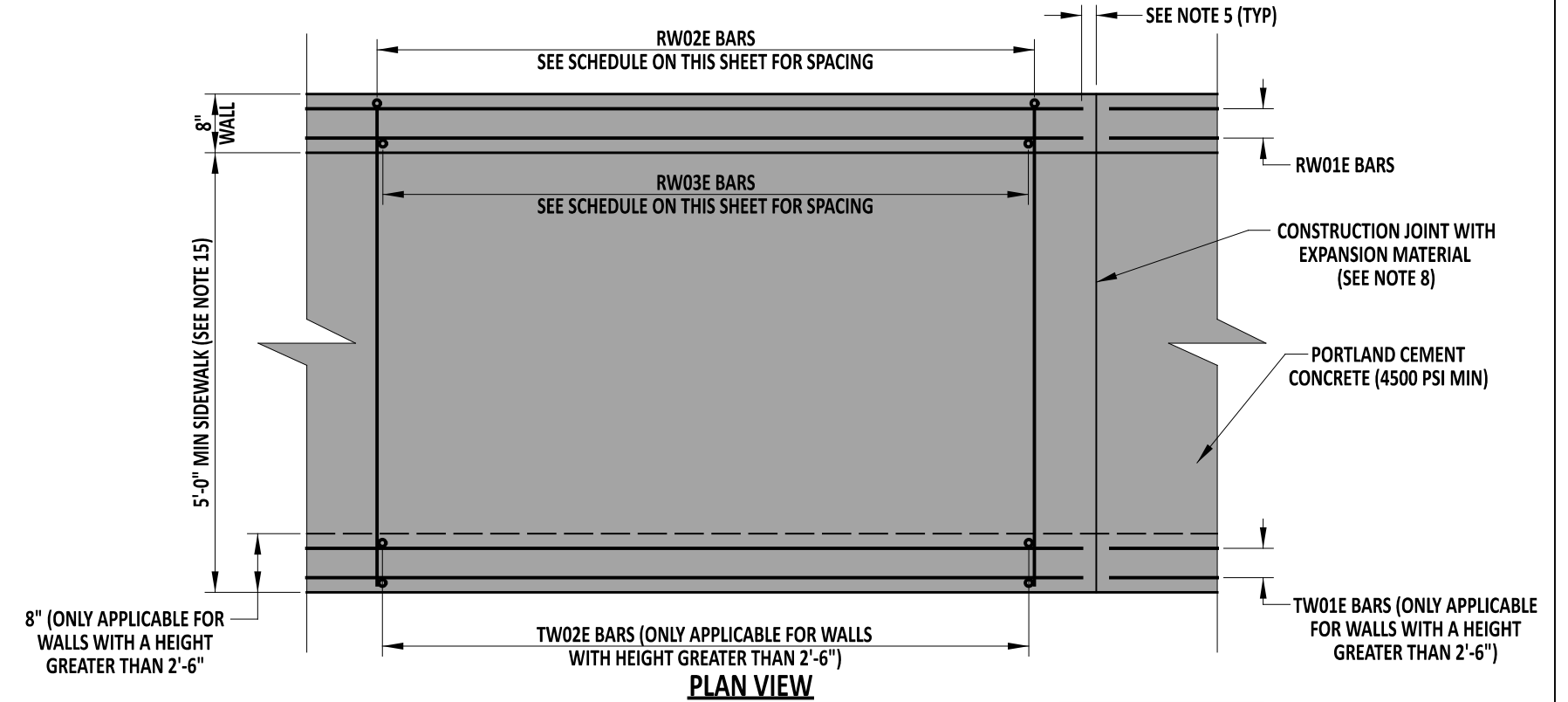
**OPTIONAL TOEWALL PLACEMENT CURB RETAINING WALL SECTION**  
FOR H GREATER THAN 2'-6"

**NOTES:**

- 1). THE CURB RETAINING WALL DETAILS ARE FOR QUICK FIELD CHANGES WITH APPROVAL OF THE ENGINEER. MODULAR BLOCK WALLS OR ANY OTHER SMALL RETAINING WALLS ARE THE PREFERRED CHOICE DURING PLAN DEVELOPMENT.
- 2). WHEN H IS GREATER THAN 2'-6", EAST THE CURB RETAINING WALLS IN PLACE. WHEN H IS GREATER THAN 12" AND LESS THAN 2'-6", THE WALLS CAN BE EITHER PRECAST OR CAST-IN-PLACE.
- 3). CHAMFER EDGES 3/4" AT THE TOP OF WALL. PLACE A 1/4" ROUND EDGE AT THE FRONT OF SIDEWALK.
- 4). THE RETAINING WALL HAS BEEN DESIGNED TO RESIST EARTH PRESSURE ONLY. ADDITIONAL REINFORCEMENT MAY BE REQUIRED IF ANY SURCHARGE IS APPLIED BEHIND THE RETAINING WALL WITHIN A DISTANCE EQUAL TO 2 TIMES H AND WOULD REQUIRE AN APPROVED SHOP DRAWING.
- 5). MINIMUM BAR COVER IS 2" UNLESS OTHERWISE SPECIFIED ON THIS SHEET.
- 6). BEND THE RW02E AND RW03E BARS INTO ONE CONTINUOUS L-SHAPED BAR.
- 7). BEND THE TW02E BARS INTO 1 CONTINUOUS U-SHAPED BAR.
- 8). SEE DETAIL M-3 FOR SIDEWALK DETAILS AND NOTES, INCLUDING CONSTRUCTION JOINTS AND EXPANSION MATERIAL.
- 9). DO NOT PLACE RW01E AND TW01E BARS THROUGH EXPANSION JOINTS. STOP REINFORCEMENT AND MAINTAIN MINIMUM BAR COVER AS SPECIFIED IN PREVIOUS NOTES.
- 10). THE TOEWALL CAN OPTIONALLY BE PLACED AT MIDPOINT OF THE SIDEWALK.
- 11). ALL REINFORCING STEEL MUST BE EPOXY COATED.
- 12). IF A CURB IS CONSTRUCTED ADJACENT TO THE STRUCTURE, COAT THE FRONT FACE OF THE SIDEWALK/TOEWALL WITH AN APPROVED BOND BREAKER AGENT PRIOR TO THE PLACEMENT OF CONCRETE FOR THE CURB.
- 13). FOR CURB RETAINING WALLS WHERE H IS 12" OR LESS, A MODIFIED P.C.C. CURB TYPE 1-8 CAN BE USED.
- 14). CURB HAS BEEN OMITTED FROM THESE DETAILS FOR CLARITY PURPOSES. FOR INSTALLATIONS WHERE THE TOEWALL IS PLACED AT THE EDGE OF THE SIDEWALK, THE TOEWALL IS NOT A REPLACEMENT FOR CURB.
- 15). THE MINIMUM SIDEWALK WIDTH WHEN A BUFFER STRIP IS PROVIDED BETWEEN THE EDGE OF PAVEMENT AND THE SIDEWALK IS 5'-0". THE MINIMUM SIDEWALK WIDTH WHEN A BUFFER STRIP IS NOT PROVIDED IS 6'-0". APPLICATIONS NARROWER THAN 5'-0" MUST BE APPROVED BY THE DELDOT BRIDGE SECTION. REFER TO THE CURRENT PEDESTRIAN ACCESSIBILITY STANDARDS MANUAL FOR ADDITIONAL GUIDANCE ON SIDEWALK WIDTHS.



**CURB RETAINING WALL SECTION**  
FOR HEIGHTS GREATER THAN 12"  
BUT LESS THAN OR EQUAL TO 2'-6"



**PLAN VIEW**



*John C.*  
ENGINEERING SUPPORT  
RECOMMENDED  
12/03/2021  
DATE

CURB RETAINING WALL  
STANDARD NO. C-6 (2021)  
SHT. 1 OF 1

REVIEWED  
*Mike Lee*  
DEPUTY DIRECTOR - DESIGN  
12/06/2021  
DATE  
APPROVED  
*Shrey*  
CHIEF ENGINEER  
12/07/2021  
DATE