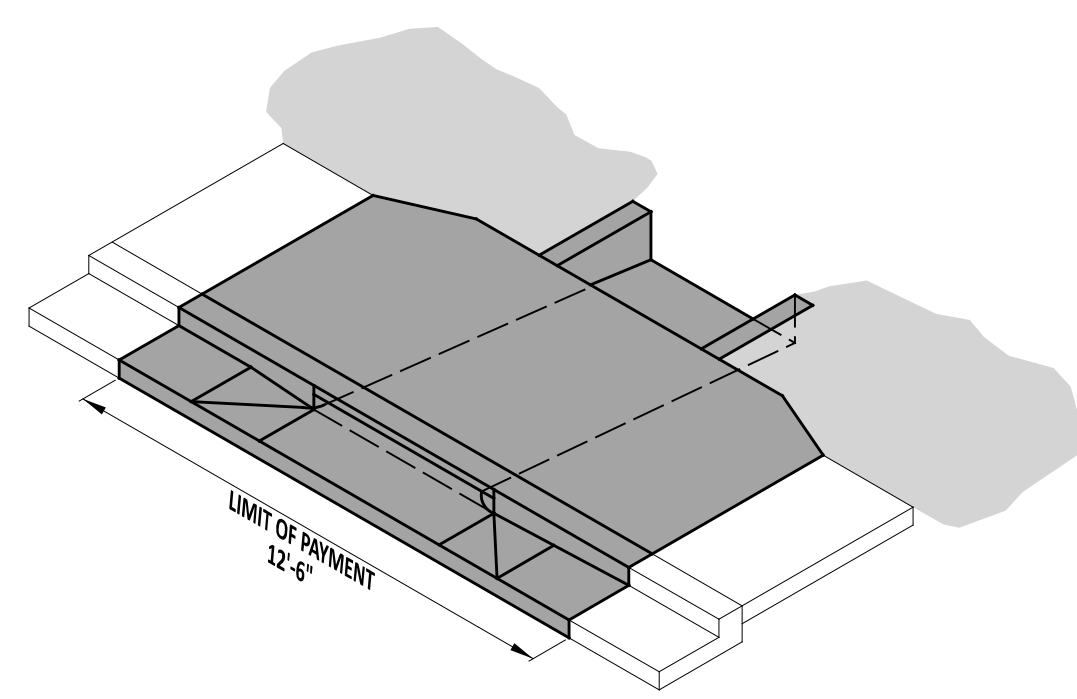
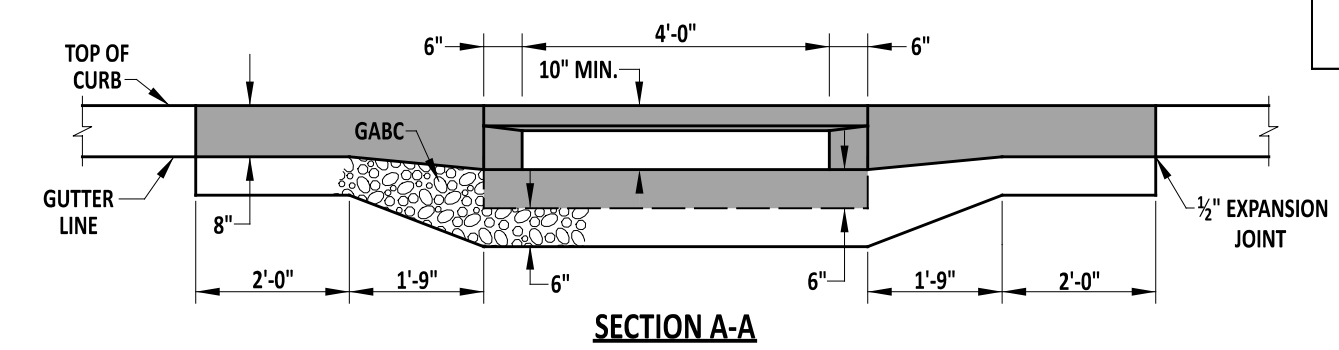


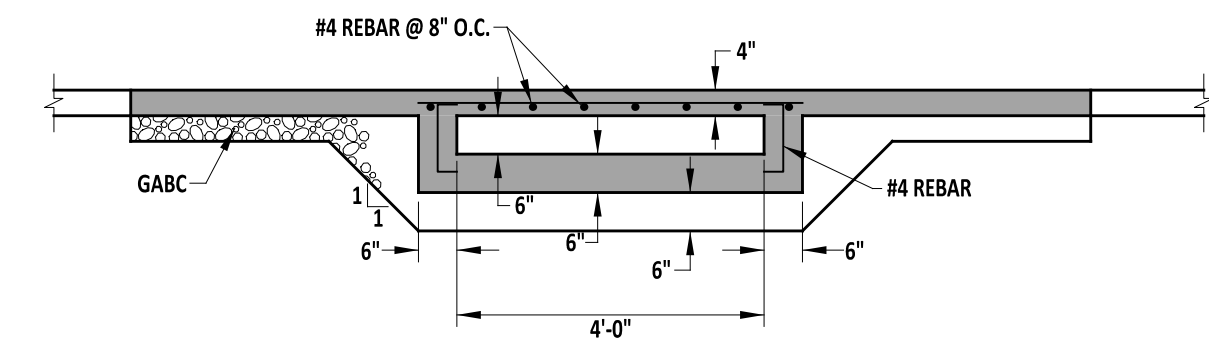
SCALE : NTS



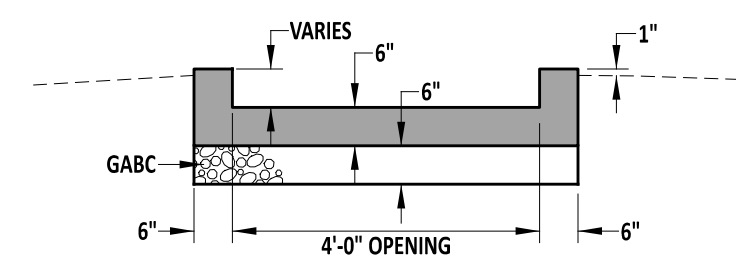
ISOMETRIC



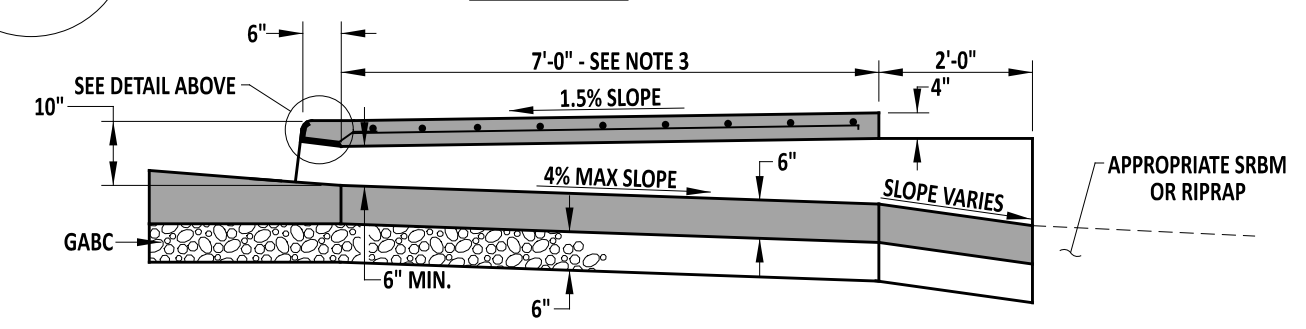
SECTION A-A



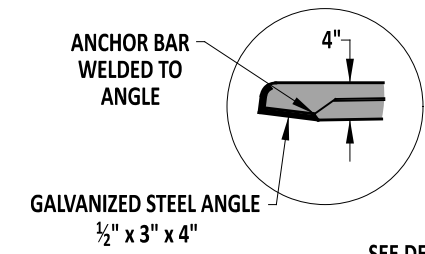
SECTION B-B



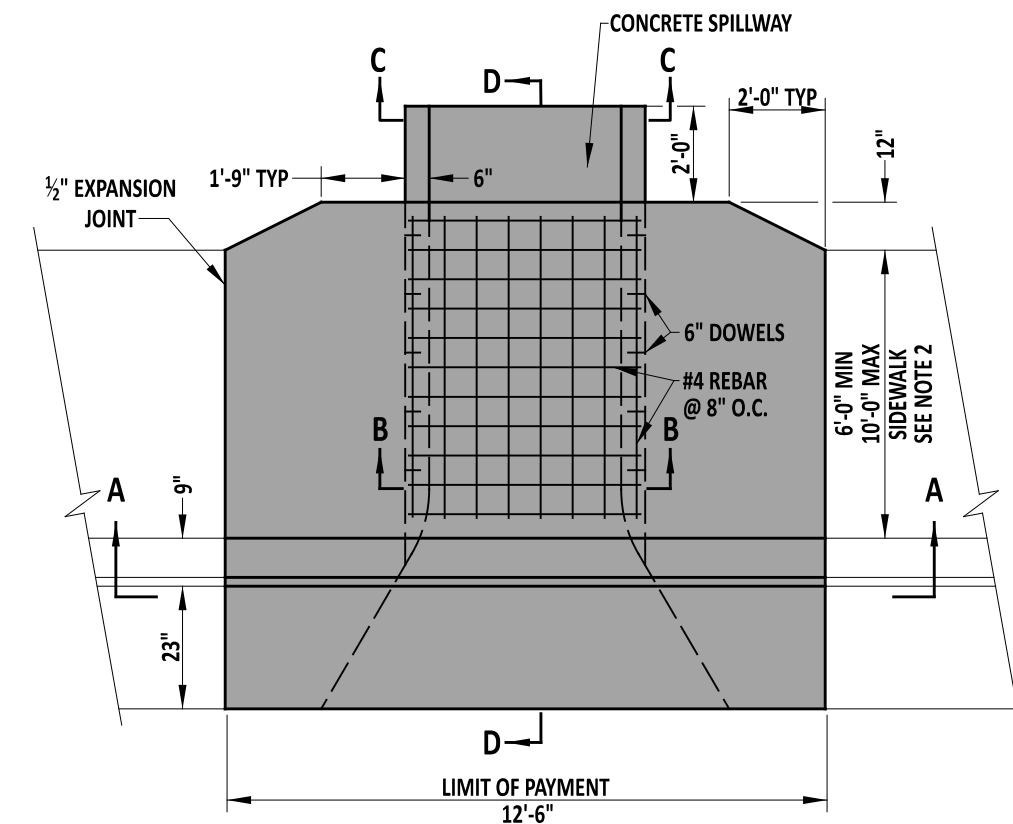
SECTION C-C



SECTION D-D



ANCHOR BAR WELDED TO ANGLE
GALVANIZED STEEL ANGLE
1/2" x 3" x 4"



PLAN

CURB / SIDEWALK OPENING

NOTES:

- 1). WHEN A GRASS STRIP IS PRESENT BETWEEN THE BACK OF CURB AND SIDEWALK, THE SIDEWALK PORTION OF THIS STRUCTURE MAY BE PRECAST. HOWEVER, WHEN THE SIDEWALK IS DIRECTLY BEHIND THE CURB, USE CAST-IN-PLACE CONSTRUCTION.
- 2). SIDEWALK WIDTHS LESS THAN SHOWN ON THIS SHEET REQUIRE DEPARTMENT APPROVAL. SEE PEDESTRIAN ACCESSIBILITY STANDARDS FOR MORE GUIDANCE.
- 3). OVER THE CONCRETE SPILLWAY, USE A SLAB WIDTH 12" WIDER THAN THE SIDEWALK WIDTH AND USE A 2'-0" CONCRETE APRON APPROACH. WHEN NOT ADJACENT TO CURB, EXTEND THE PATH AN ADDITIONAL 1'-0" IN WIDTH TOWARD THE BACK OF THE CURB USING SAME FLARE RATES AND DIMENSIONS AS SHOWN AT THE BACK OF SIDEWALK.



John C.
ENGINEERING SUPPORT
RECOMMENDED
12/03/2021
DATE

CURB / SIDEWALK OPENING
STANDARD NO. C-5 (2021)
SHT. 1 OF 1

REVIEWED
APPROVED
Mike Lee
DEPUTY DIRECTOR - DESIGN
12/06/2021
DATE
Shrey
CHIEF ENGINEER
12/07/2021
DATE