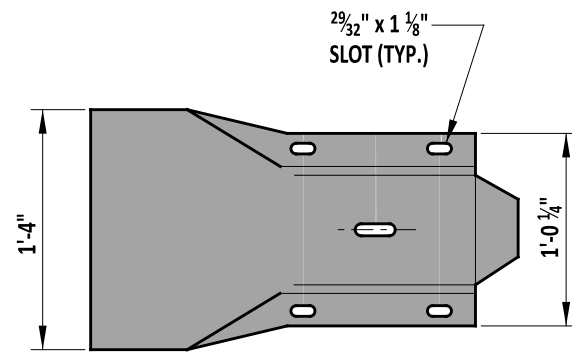
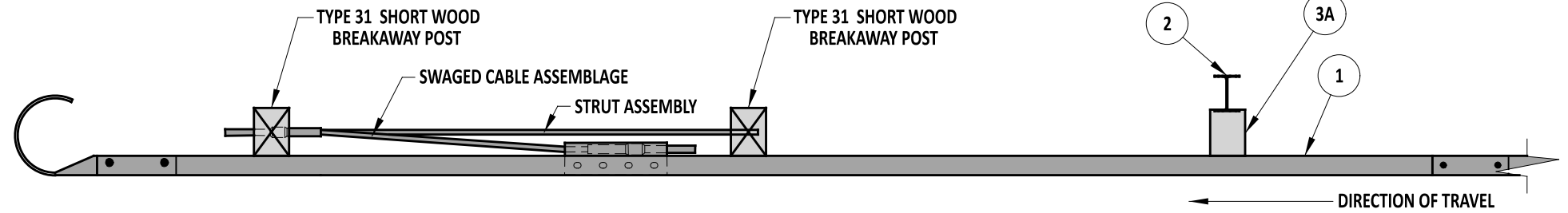


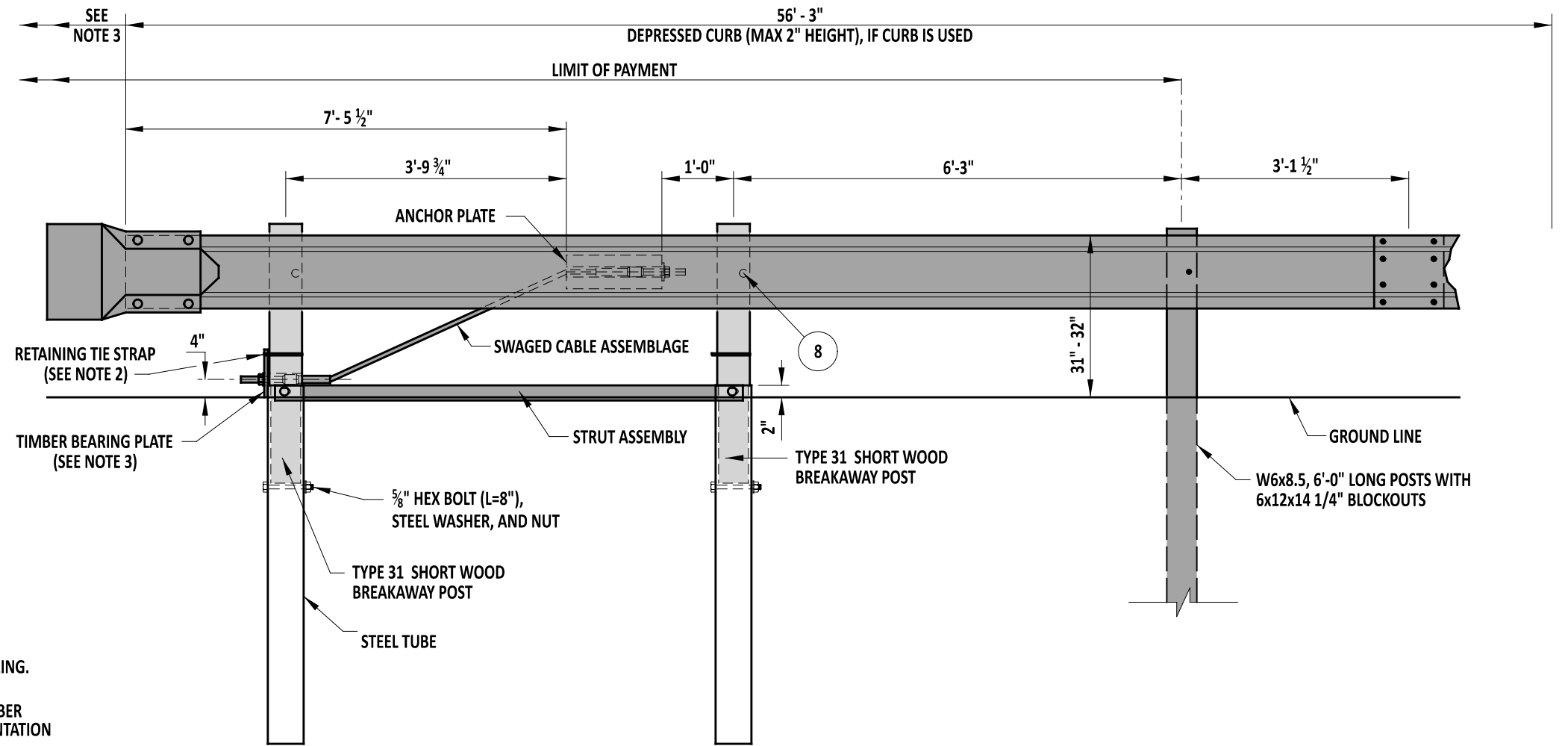
END SECTION PLAN



END SECTION ELEVATION



PLAN VIEW



ELEVATION VIEW

- NOTES:
- 1). ADDITIONAL HOLES FOR ANCHOR PLATE SHALL BE DRILLED PRIOR TO GALVANIZING. (SEE STANDARD HARDWARE SHEET FOR HOLE SPACING INFORMATION).
 - 2). PLACE A 1/2" WIDE GALVANIZED RETAINING TIE STRAP AROUND THE SHORT TIMBER BREAKAWAY POST AND TIMBER BEARING PLATE TO ENSURE THE PROPER ORIENTATION OF THE TIMBER BEARING PLATE.
 - 3). IF CURB IS USED, EXTEND DEPRESSED CURB (MAX 2" HEIGHT) 50'-0" DOWNSTREAM OF END SECTION.
 - 4). REFER TO DETAIL B-13, SHEET 8 OF 10 FOR PROPER TIMBER BEARING PLATE ORIENTATION.
 - 5). MASH COMPLIANT SYSTEM - FHWA ELIGIBILITY LETTER B-256
 - 6). THIS SYSTEM SHALL NOT BE USED WHERE END ON IMPACTS ARE EXPECTED. IT IS SOLELY DESIGNED TO ACT AS A DOWNSTREAM END ANCHOR.



John C.
ENGINEERING SUPPORT
RECOMMENDED
12/08/2021
DATE

END ANCHORAGE, TYPE 31
STANDARD NO. B-4 (2021)
SHT. 1 OF 1

REVIEWED
APPROVED
Shrey
DEPUTY DIRECTOR - DESIGN
CHIEF ENGINEER
12/08/2021
DATE
12/20/2021
DATE