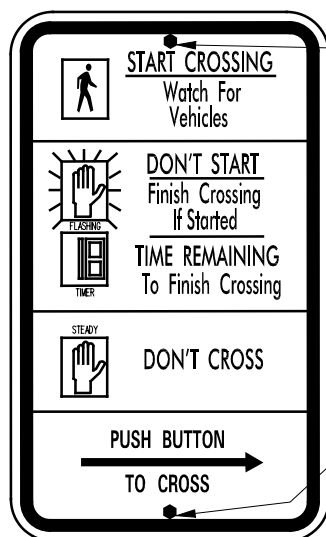
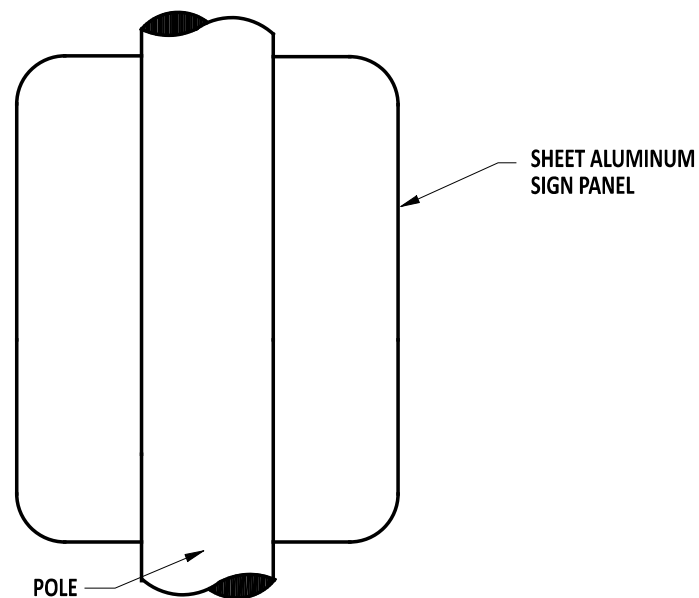


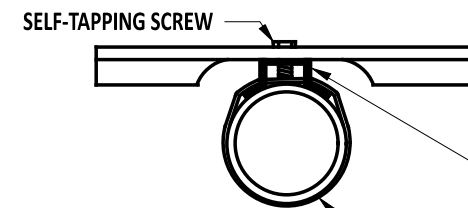
**SIGN ATTACHMENT DETAIL
VERTICAL POLE INSTALLATION ONLY
FOR PUSHBUTTON SIGN
(PLAN VIEW)**



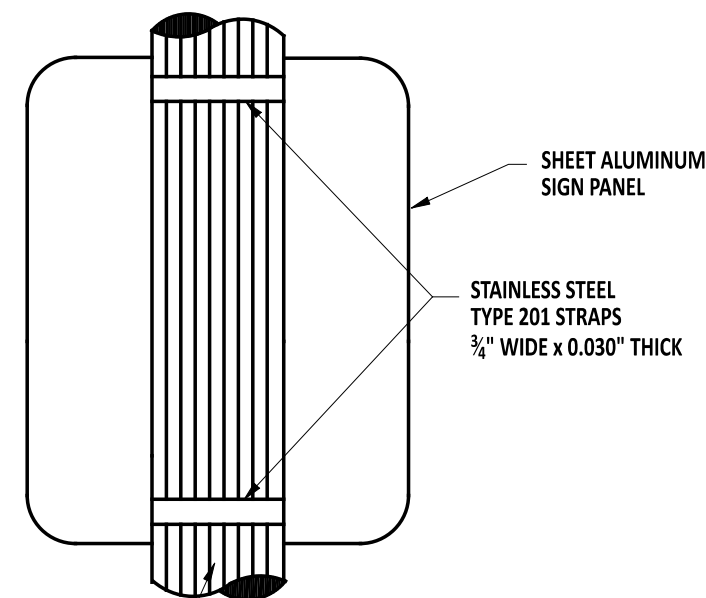
BACK OF SIGN

SELF-TAPPING SCREWS AND WASHERS SHALL NOT COVER SIGN TEXT.

FRONT OF SIGN

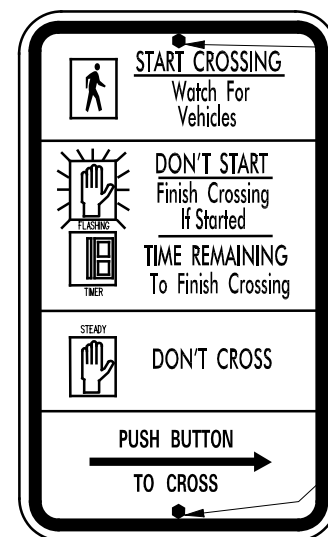


**SIGN ATTACHMENT DETAIL
VERTICAL POLE INSTALLATION ONLY
FOR PUSHBUTTON SIGN
(PLAN VIEW)**

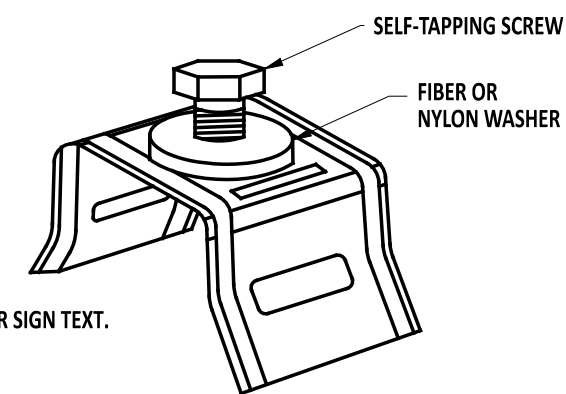


BACK OF SIGN

SELF-TAPPING SCREWS AND WASHERS SHALL NOT COVER SIGN TEXT.



FRONT OF SIGN



**DETAIL A
STAINLESS STEEL SADDLE BRACKET**



ENGINEERING SUPPORT *Paul Johnson* 09/01/2020
RECOMMENDED DATE

PEDESTRIAN PUSHBUTTON LOCATION - SIGN ATTACHMENT
STANDARD NO. T-18 (2020) SHT. 2 OF 2

REVIEWED *Mike Jones* 09/01/2020
DEPUTY DIRECTOR - DESIGN DATE
APPROVED *Sherry* 09/01/2020
CHIEF ENGINEER DATE