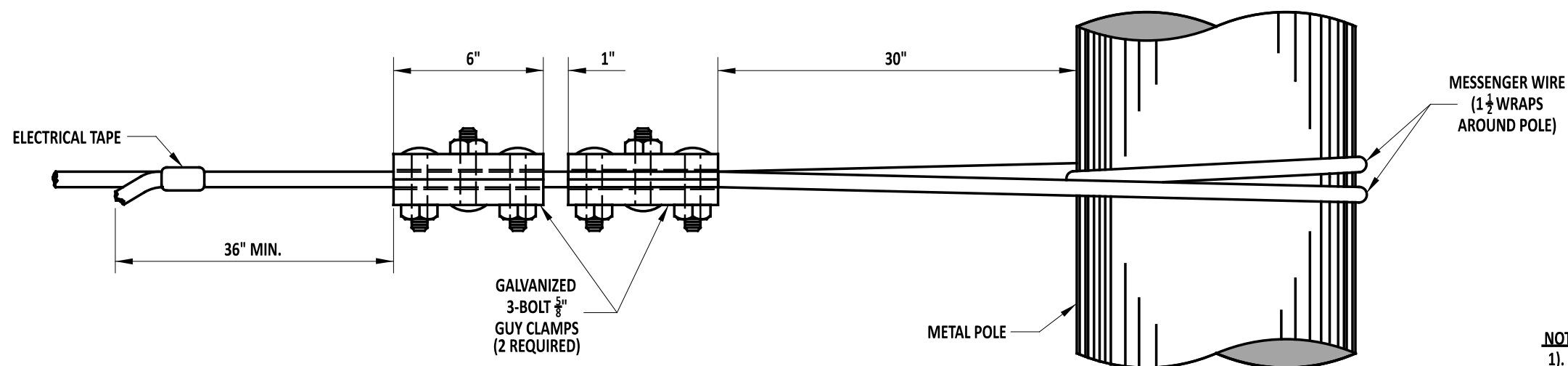


WOOD POLES



METAL POLES

NOTES
 1). INSTALLATION METHOD SHOWN FOR DEAD END MESSENGER WIRE ATTACHMENT TO METAL POLES SHALL BE USED FOR SPAN WIRE ATTACHMENT BETWEEN METAL POLES.



ENGINEERING SUPPORT *Paul Johnson* 09/01/2020
 RECOMMENDED DATE

DEAD END MESSENGER WIRE ATTACHMENT
 STANDARD NO. T-12 (2020) SHT. 2 OF 3

REVIEWED *Mike Jones* 09/01/2020
 DEPUTY DIRECTOR - DESIGN DATE
 APPROVED *Shrey* 09/01/2020
 CHIEF ENGINEER DATE