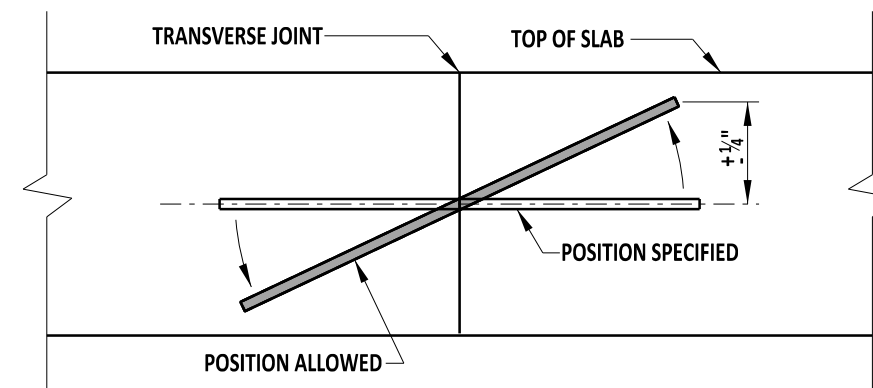
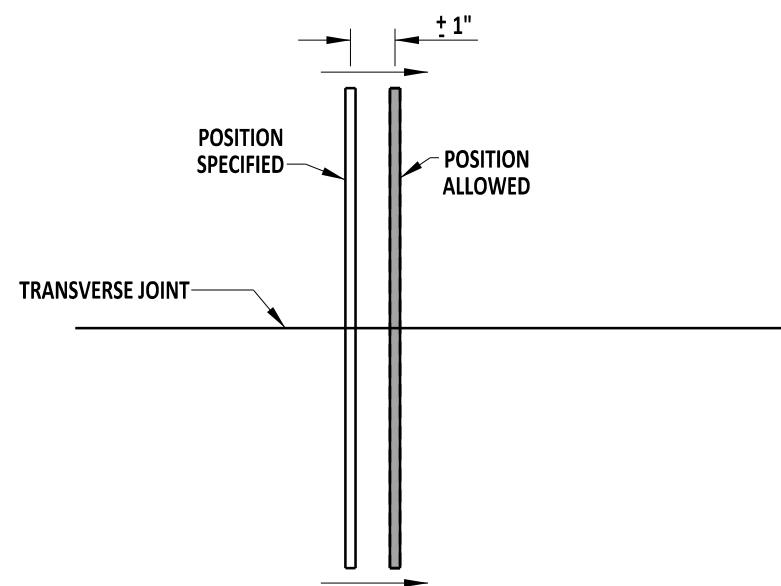


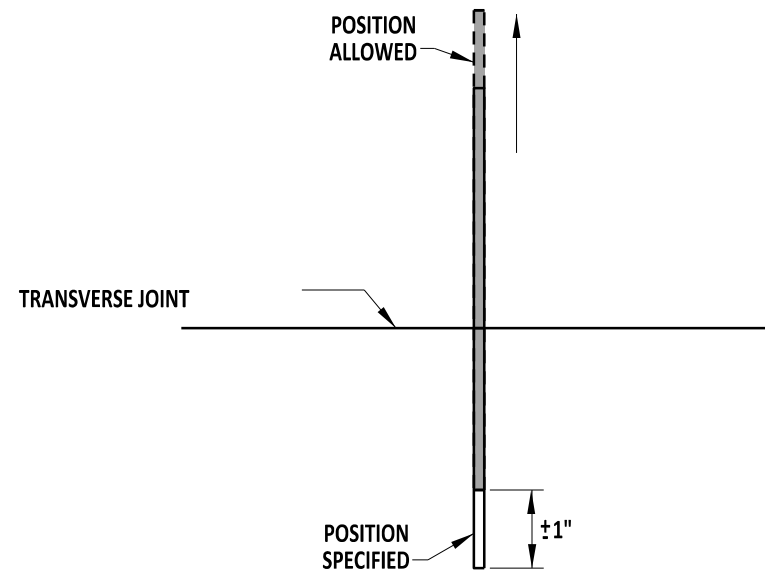
VERTICAL TRANSLATION



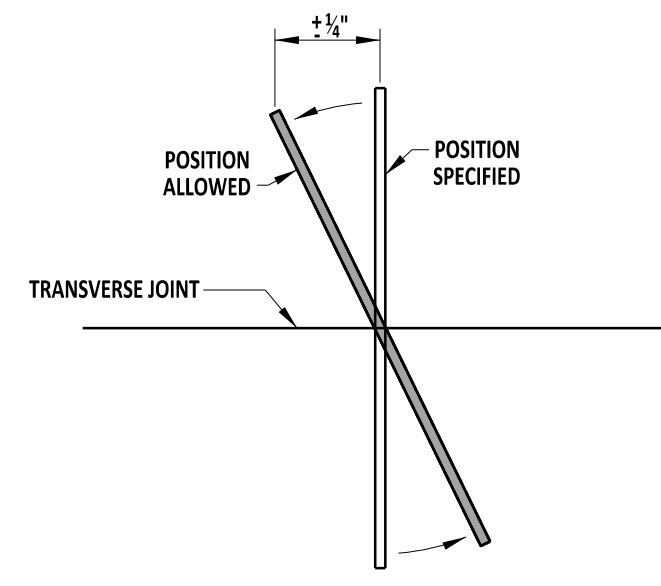
VERTICAL ROTATION



HORIZONTAL TRANSLATION



LONGITUDINAL TRANSLATION



HORIZONTAL ROTATION

DOWEL BAR PLACEMENT TOLERANCES

FULL DEPTH PATCH




 ENGINEERING SUPPORT DATE 09/01/2020
RECOMMENDED

FULL DEPTH PATCH, DOWEL BAR PLACEMENT TOLERANCE
 STANDARD NO. P-2 (2020) SHT. 4 OF 5

REVIEWED  DATE 09/01/2020
 APPROVED  DATE 09/01/2020