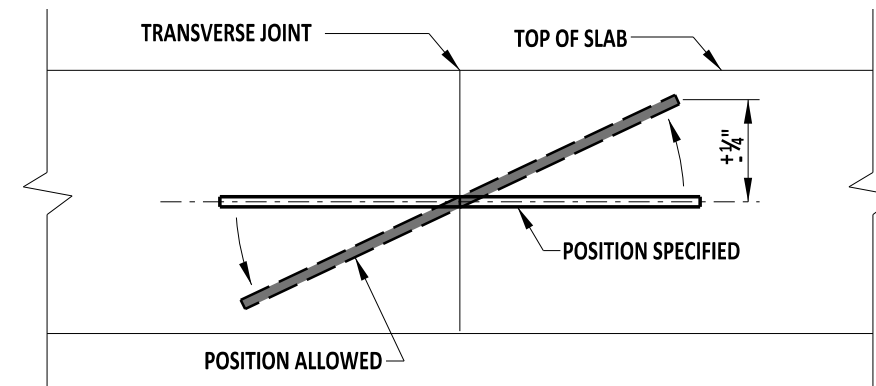
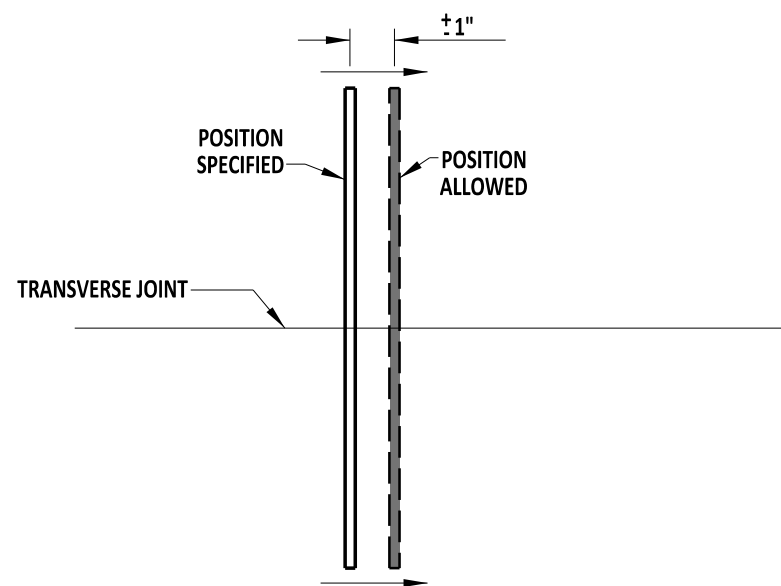


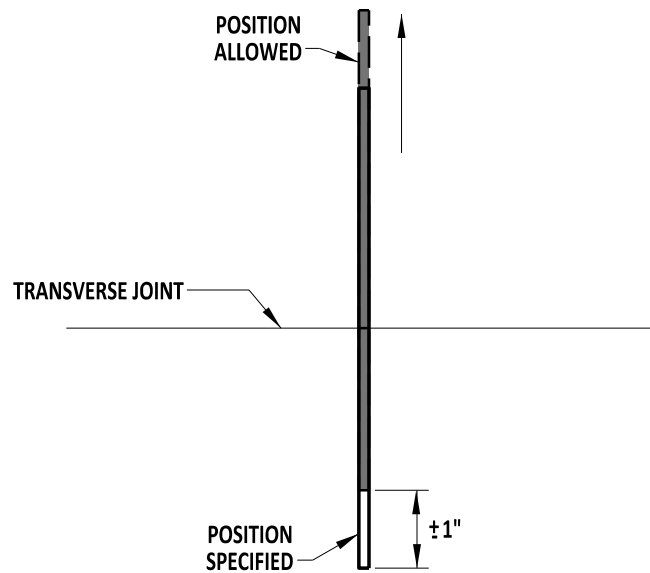
VERTICAL TRANSLATION



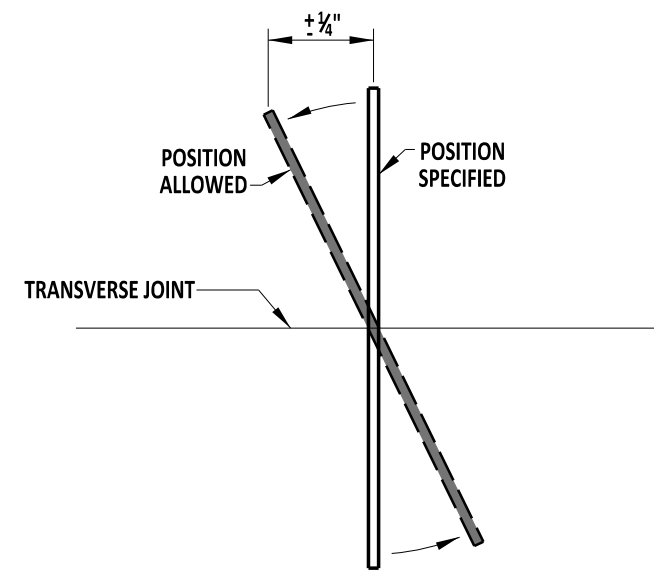
VERTICAL ROTATION



HORIZONTAL TRANSLATION



LONGITUDINAL TRANSLATION



HORIZONTAL ROTATION

DOWEL & TIE BAR PLACEMENT TOLERANCES




 ENGINEERING SUPPORT DATE 09/01/2020
RECOMMENDED

DOWEL AND TIE BAR PLACEMENT TOLERANCE
 STANDARD NO. P-1 (2020) SHT. 5 OF 5

REVIEWED 
 DEPUTY DIRECTOR - DESIGN DATE 09/01/2020
APPROVED 
 CHIEF ENGINEER DATE 09/01/2020