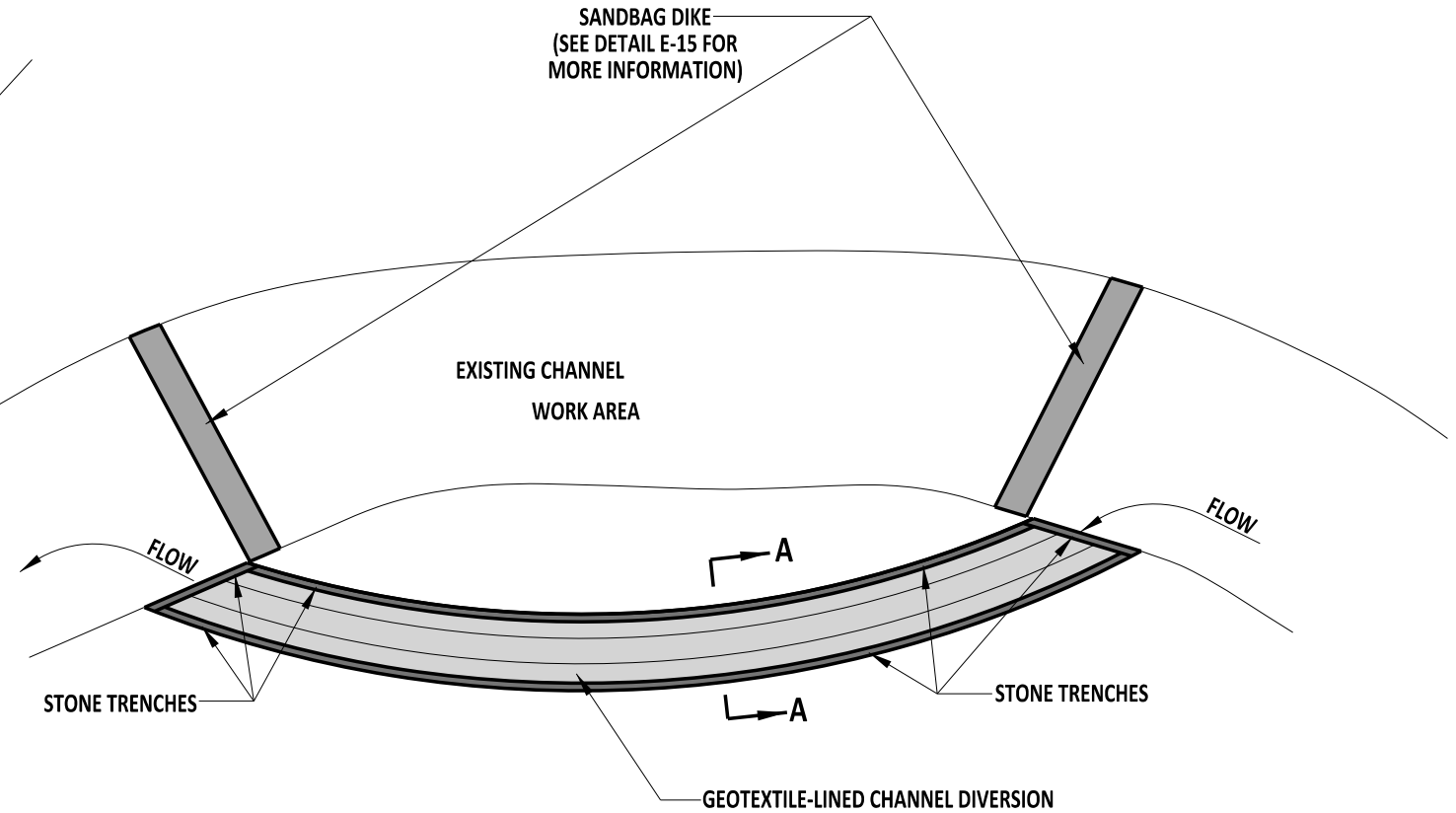
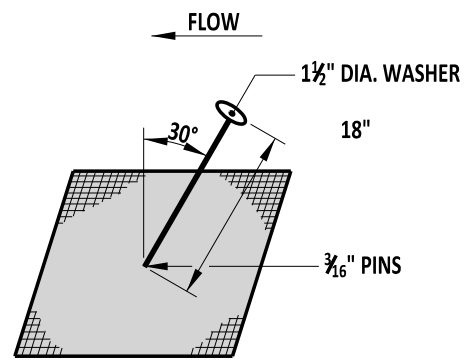


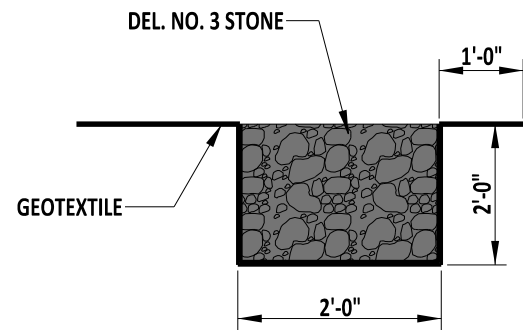
ISOMETRIC VIEW



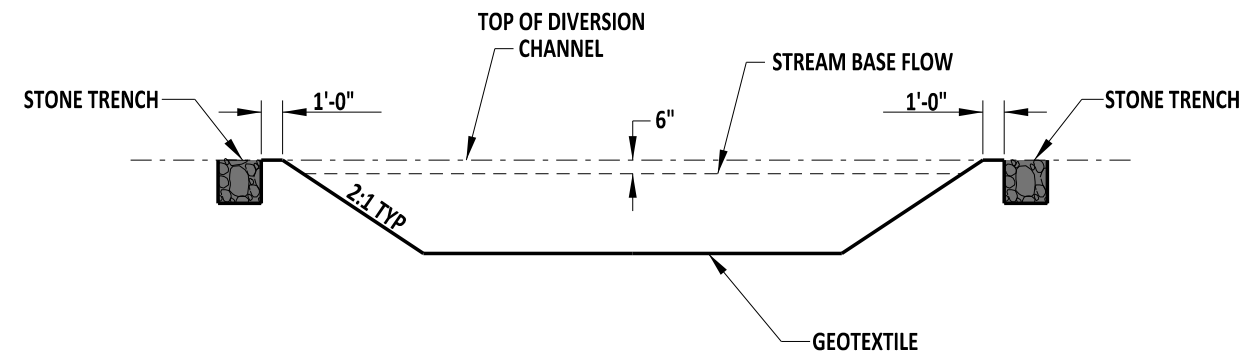
PLAN



FASTENING DETAIL



TRENCHING DETAIL



SECTION A-A

NOTE:
SEE PLANS FOR LOCATION, DIMENSIONS, GRADES, ETC.



ENGINEERING SUPPORT
Paul Johnson
RECOMMENDED
DATE 09/01/2020

STANDARD NO. E-17 (2020)
SHT. 1 OF 1

REVIEWED
Mike Lewis
DEPUTY DIRECTOR - DESIGN
DATE 09/01/2020
APPROVED
Sheryl
CHIEF ENGINEER
DATE 09/01/2020