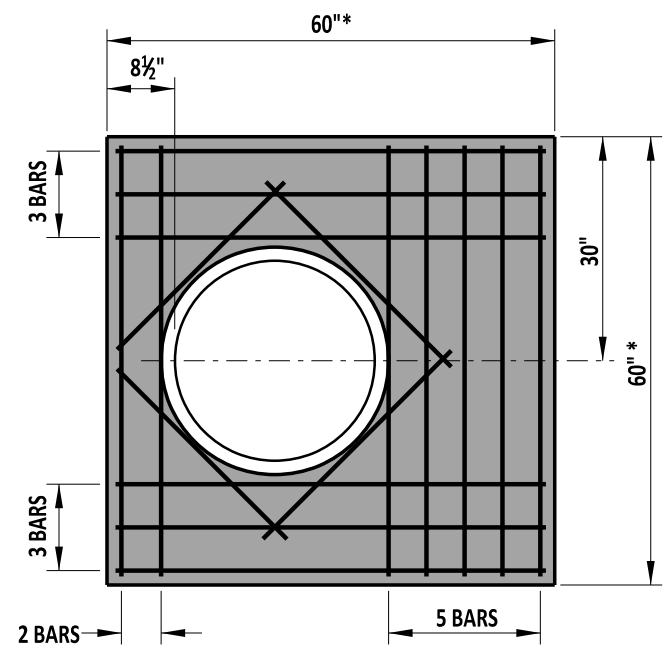
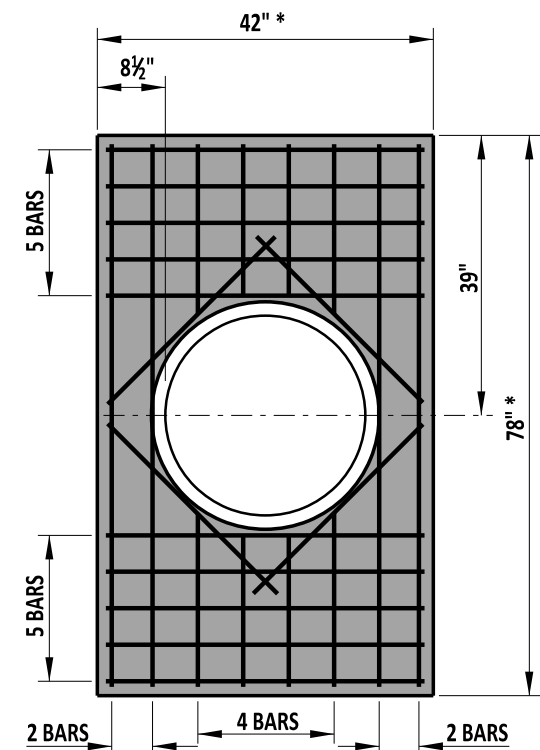


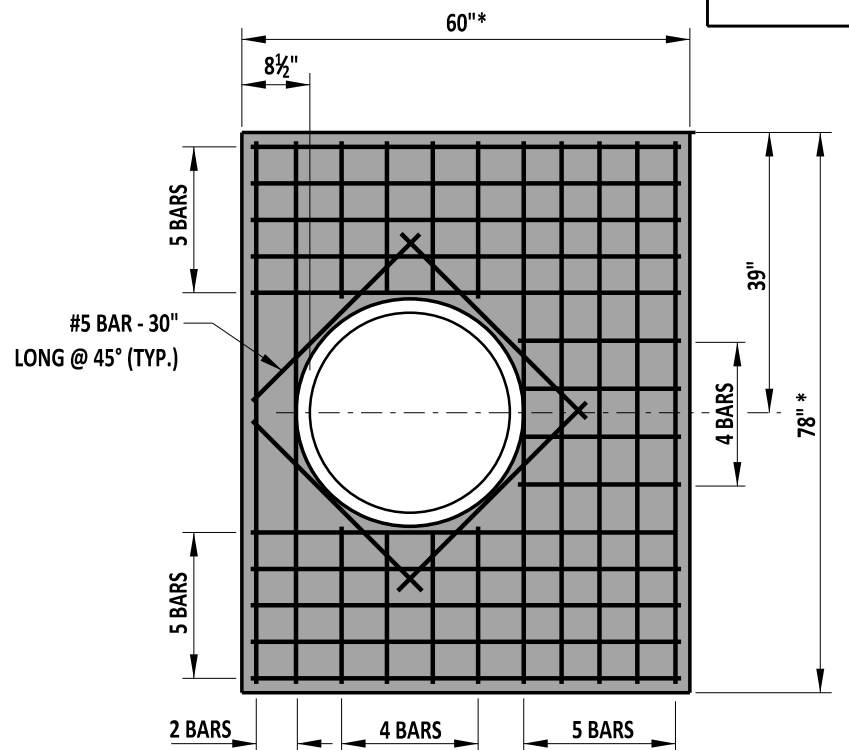
48" X 30" MANHOLE



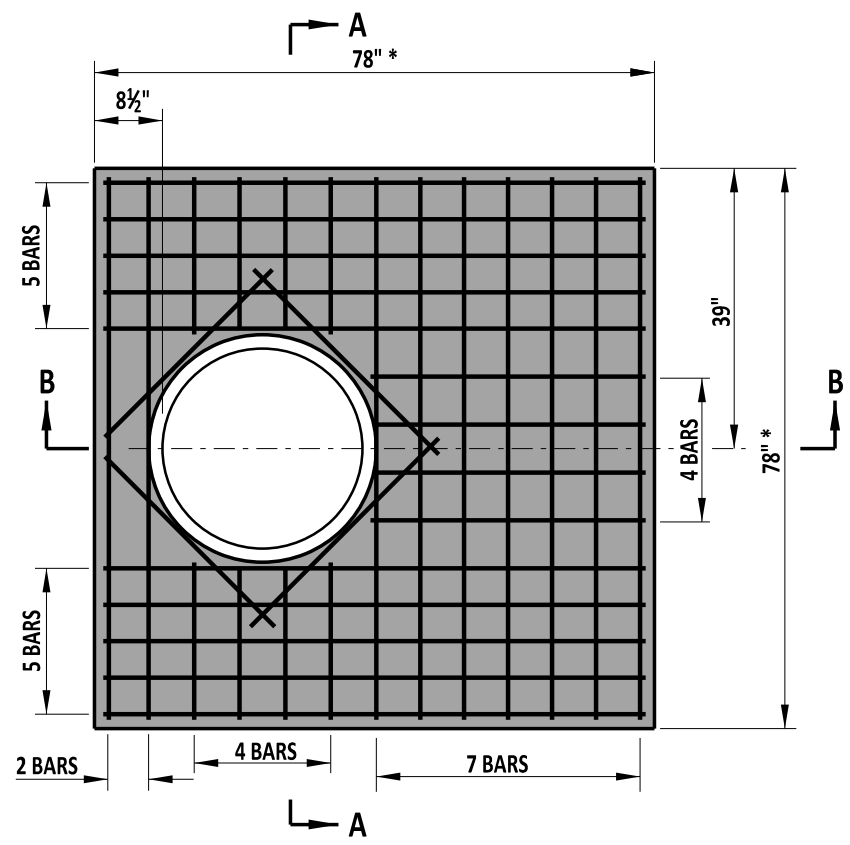
48" X 48" MANHOLE



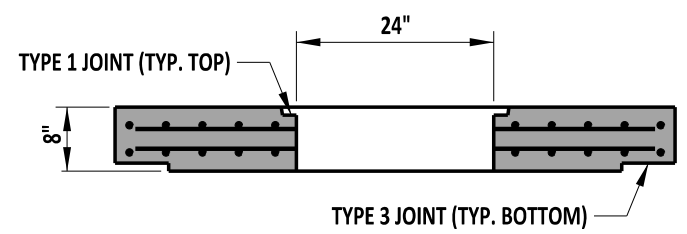
66" X 30" MANHOLE



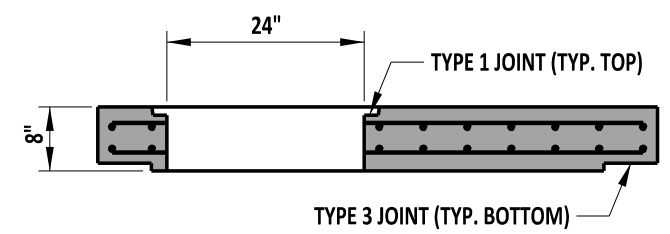
66" X 48" MANHOLE



66" X 66" MANHOLE



SECTION A-A



SECTION B-B

BOX MANHOLE COVER SLAB DETAILS

NOTES:

- 1). PRECAST COVER SLABS.
- 2). USE #5 BARS SPACED AT 6" UNLESS NOTED OTHERWISE.
- 3). PROVIDE A MINIMUM BAR COVER OF 1 1/2".
- 4). COVER SLAB DESIGN SPECIFICATIONS SHALL MEET HL-93 LOADING AND CONFORM TO AASHTO M-199, LATEST REVISIONS.

* DIMENSIONS TO MATCH OUTSIDE TO OUTSIDE DIMENSIONS OF BOX.



ENGINEERING SUPPORT
Paul Johnson
 DATE 09/01/2020
 RECOMMENDED

BOX MANHOLE COVER SLAB
 STANDARD NO. D-6 (2020)
 SHT. 4 OF 5

REVIEWED
Mike Jones
 DEPUTY DIRECTOR - DESIGN
 DATE 09/01/2020
 APPROVED
Shery
 CHIEF ENGINEER
 DATE 09/01/2020