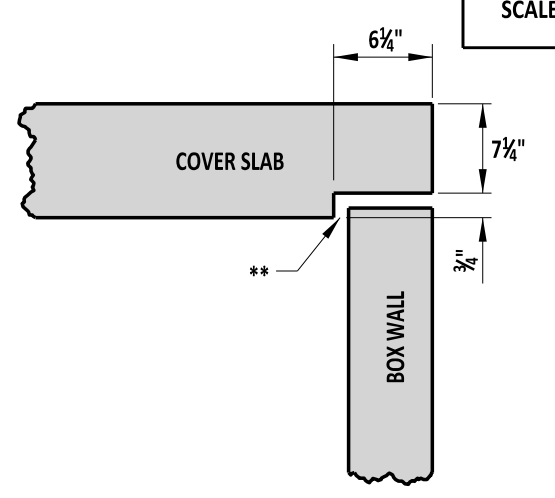
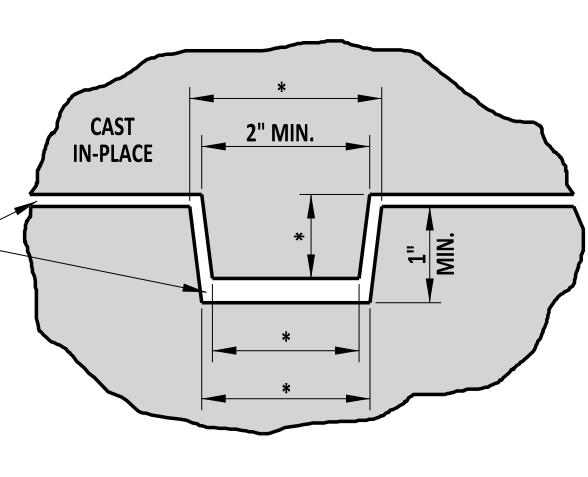
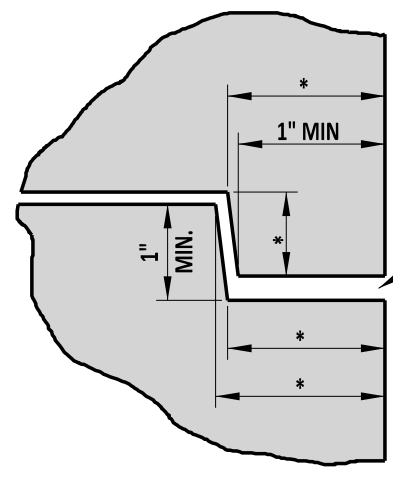
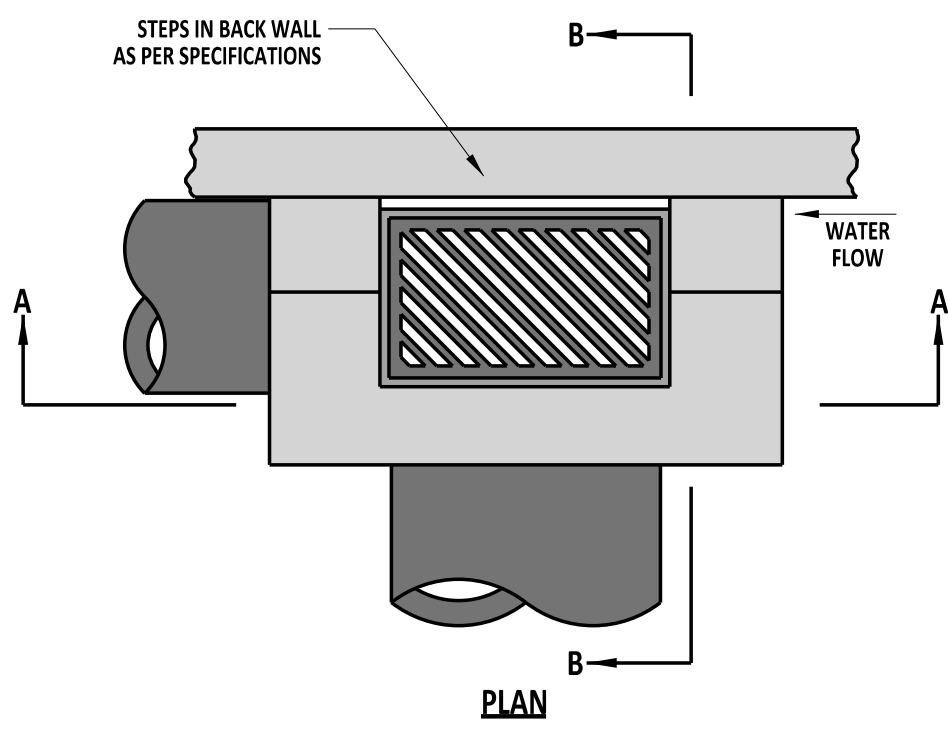
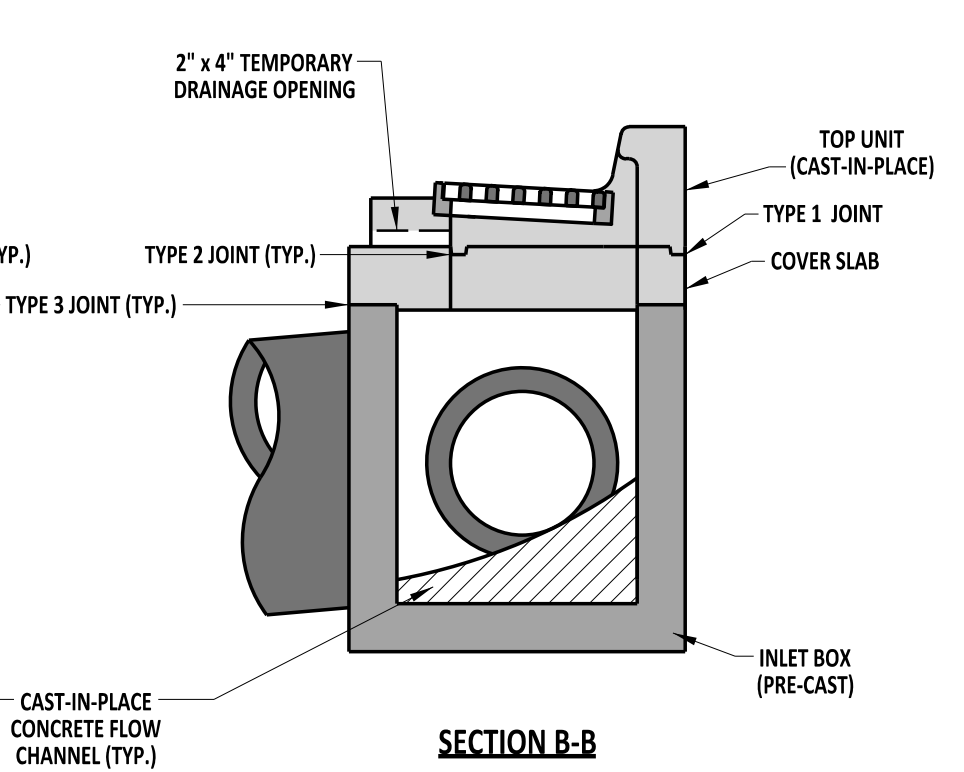
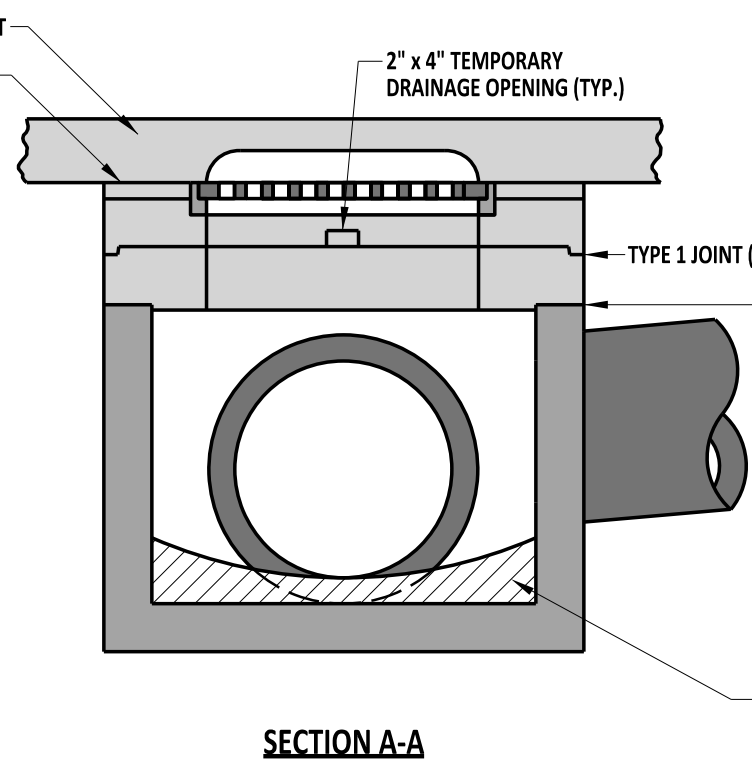
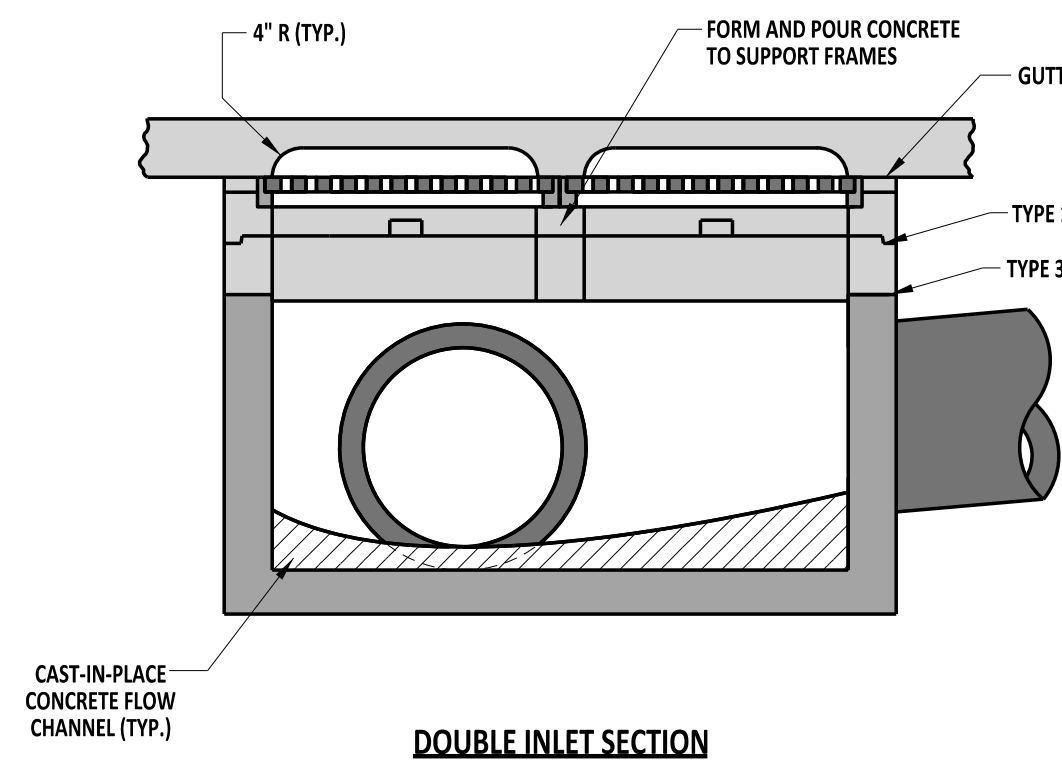


SCALE : NTS



\* DIMENSIONS WILL VARY  
 \*\* JOINT SEALANT AS PER SPECIFICATIONS ONLY BETWEEN 2 PRECAST UNITS



NOTE: THIS DETAIL USES A 48" x 30" DRAINAGE INLET FOR ILLUSTRATIVE PURPOSES.



ENGINEERING SUPPORT  
*Paul Johnson*  
 RECOMMENDED  
 DATE 09/01/2020

DRAINAGE INLET ASSEMBLY  
 STANDARD NO. D-5 (2020)  
 SHT. 1 OF 9

REVIEWED  
*Mike Jones*  
 DEPUTY DIRECTOR - DESIGN  
 DATE 09/01/2020  
 APPROVED  
*Sheryl*  
 CHIEF ENGINEER  
 DATE 09/01/2020