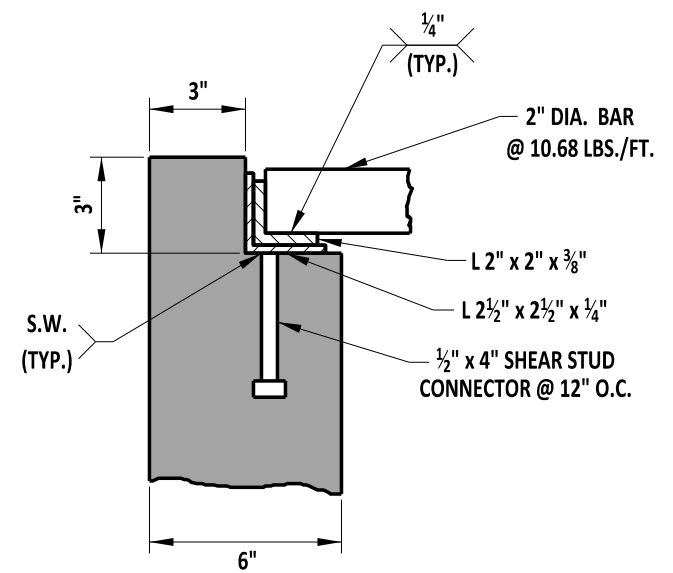


GRATE DETAIL



FRAME & GRATE ASSEMBLY DETAIL




 ENGINEERING SUPPORT DATE 09/01/2020
RECOMMENDED

SAFETY END STRUCTURE GRATE AND ASSEMBLY
 STANDARD NO. D-3 (2020) SHT. 1 OF 2

REVIEWED 
 DEPUTY DIRECTOR - DESIGN DATE 09/01/2020
 APPROVED 
 CHIEF ENGINEER DATE 09/01/2020