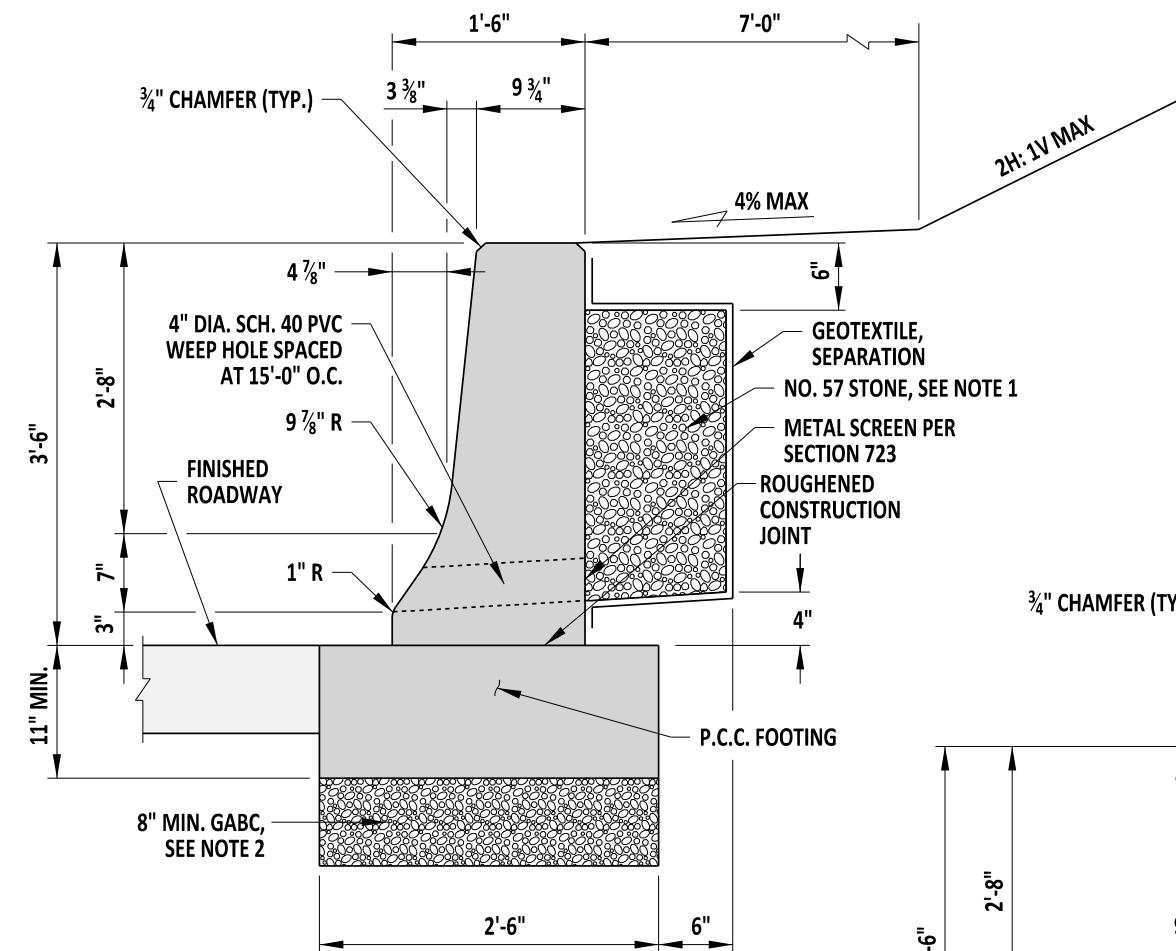
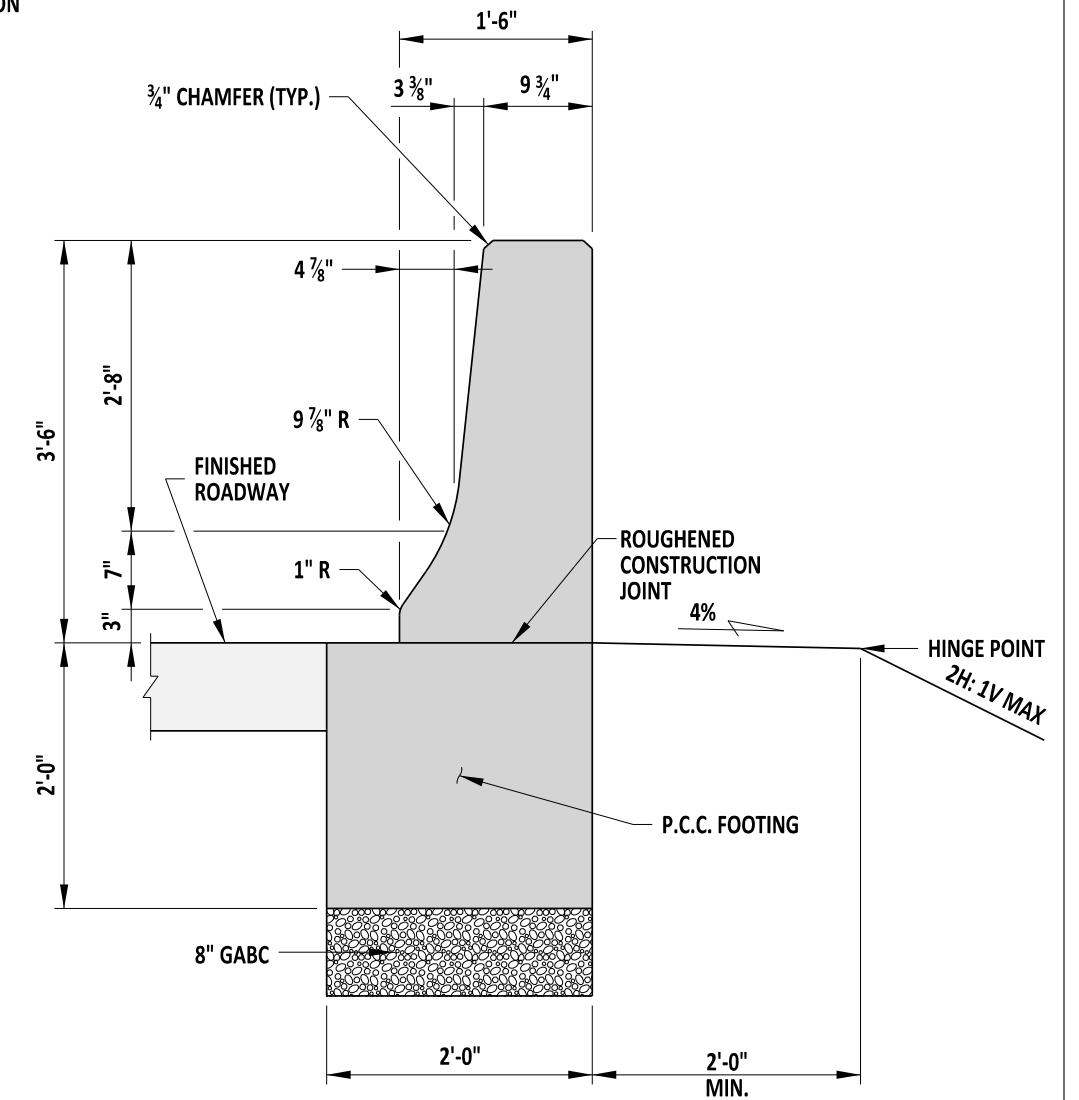


TYPICAL BARRIER APPLICATION - TYPE 1



TYPICAL BARRIER APPLICATION - TYPE 2



TYPICAL BARRIER APPLICATION - TYPE 3

NOTES:
 1). PAYMENT FOR NO. 57 STONE AND GEOTEXTILE WILL BE INCIDENTAL TO THE PERTINENT BARRIER ITEM.
 2). DEPTH OF GABC TO MATCH ROADWAY BASE DEPTH, 8" MINIMUM.

TL-4



ENGINEERING SUPPORT
 RECOMMENDED
 DATE 09/01/2020

42" CONCRETE ROADSIDE BARRIER (F-SHAPE)
 STANDARD NO. B-26 (2020)
 SHT. 1 OF 2

REVIEWED
 DEPUTY DIRECTOR - DESIGN
 DATE 09/01/2020
 APPROVED
 CHIEF ENGINEER
 DATE 09/01/2020