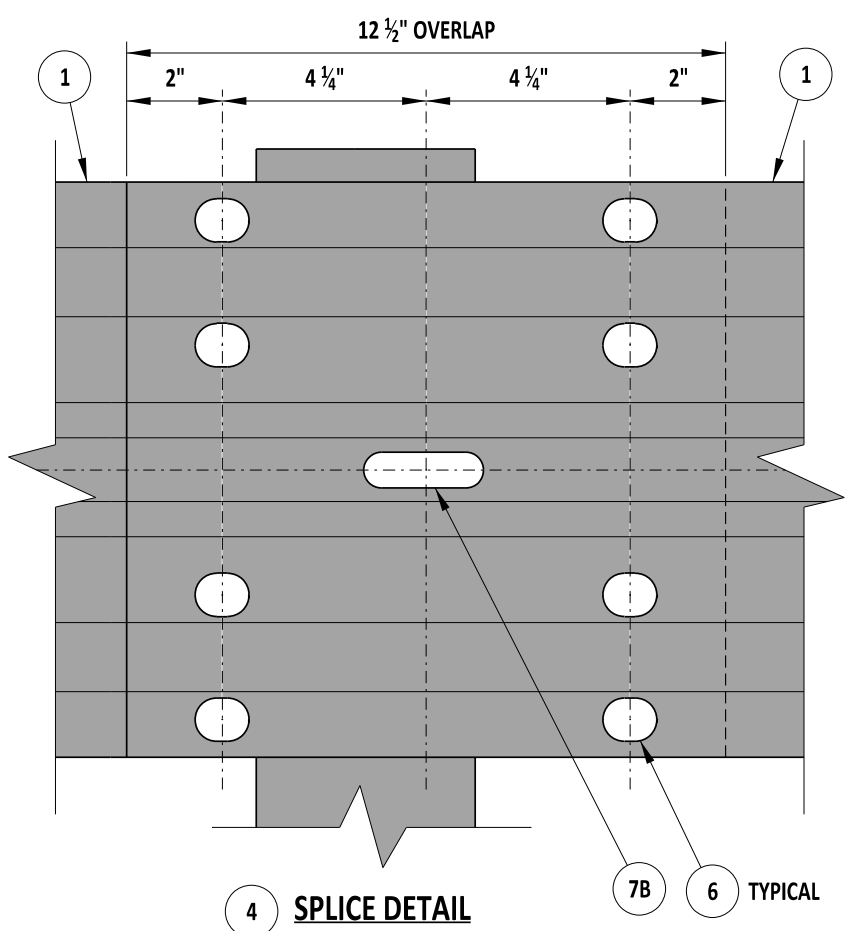
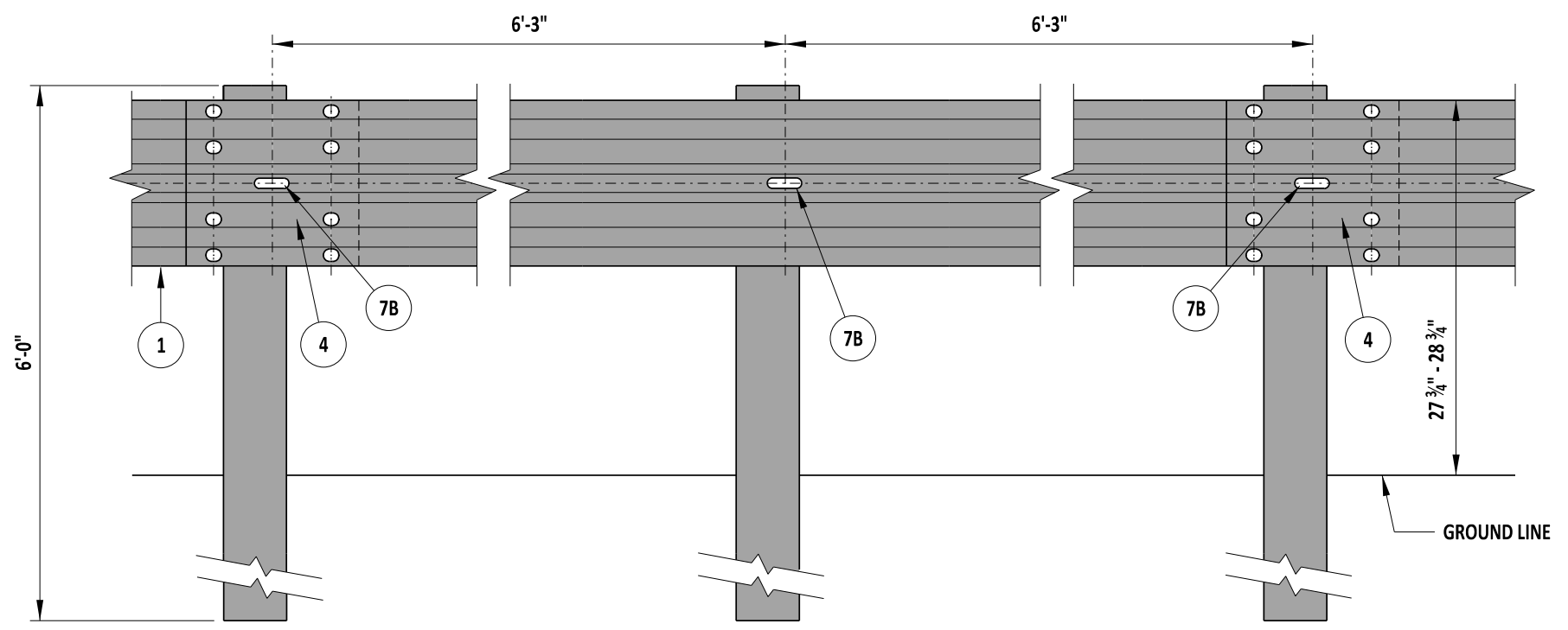


TYPE 2-27



4 SPLICE DETAIL

7B 6 TYPICAL



TYPE 1-27 OR 3-27

NOTES:
 1). OVERLAP W-BEAMS IN DIRECTION OF TRAVEL.
 2). DETAILS ON THIS SHEET ARE NOT MASH COMPLIANT AND ARE TO BE USED SOLELY FOR MAINTENANCE REPAIRS OF 27" GUARDRAIL.



Paul Johnson
 ENGINEERING SUPPORT
 RECOMMENDED
 DATE 09/01/2020

GUARDRAIL APPLICATIONS, 27"			
STANDARD NO.	B-15 (2020)	SHT. 2	OF 3

REVIEWED *Mike Lopez*
 DEPUTY DIRECTOR - DESIGN
 DATE 09/01/2020
 APPROVED *Shrey*
 CHIEF ENGINEER
 DATE 09/01/2020