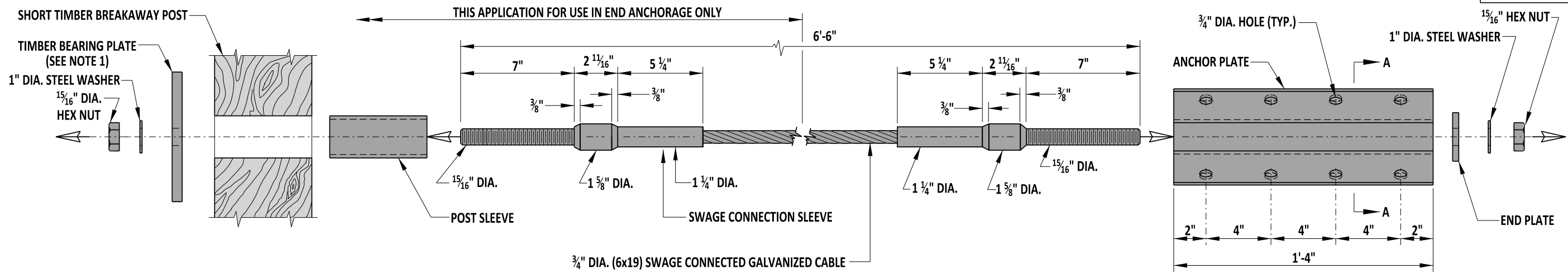
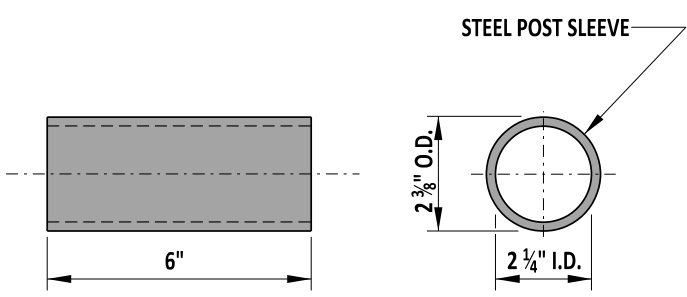


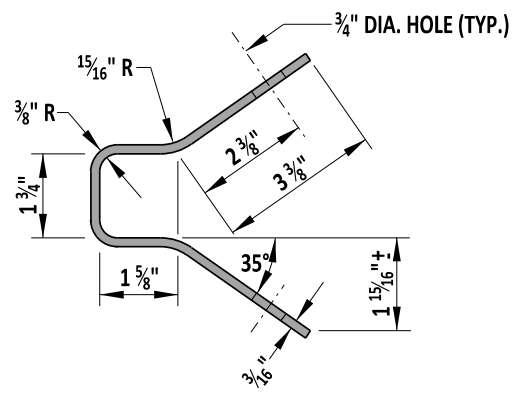
SCALE : NTS



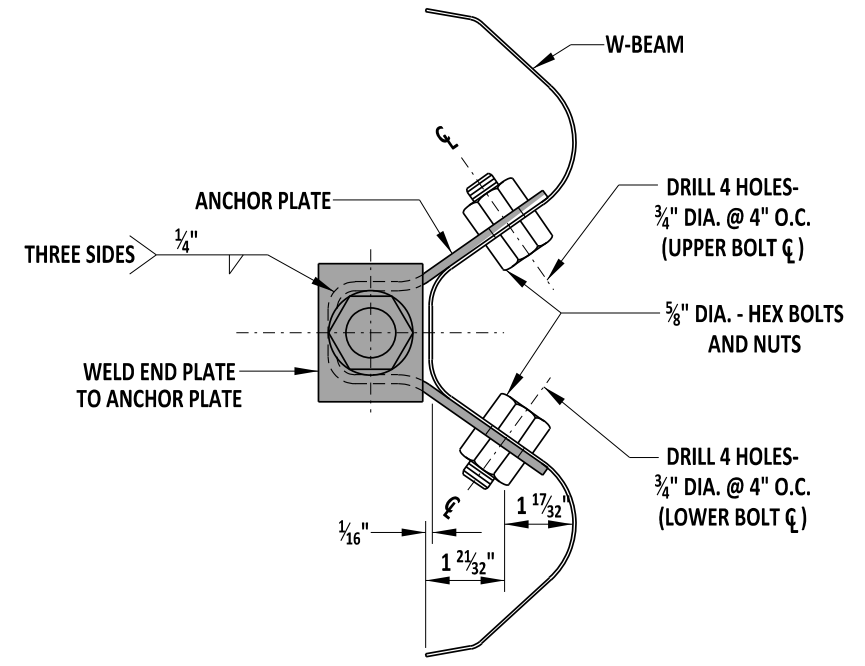
**SWAGED CABLE ASSEMBLY AND RELATED HARDWARE ASSEMBLY**



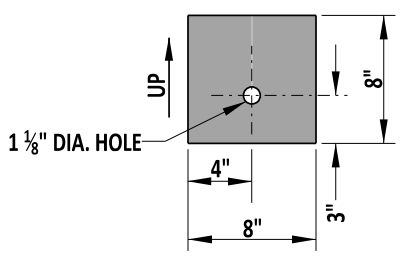
**POST SLEEVE**



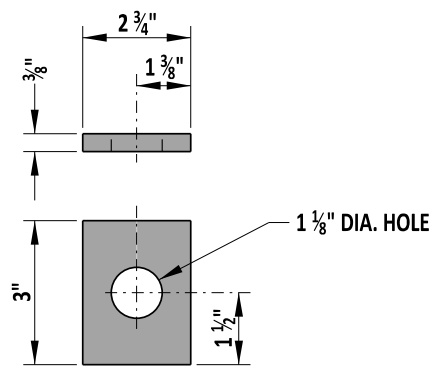
**SECTION A-A**



**ANCHOR PLATE TO W-BEAM CONNECTION DETAIL**



**TIMBER BEARING PLATE**



**END PLATE**

**NOTES:**

- 1). PLACE A 1/2" WIDE GALVANIZED RETAINING TIE STRAP AROUND THE SHORT TIMBER BREAKAWAY POST AND TIMBER BEARING PLATE TO ENSURE PROPER ORIENTATION OF THE TIMBER BEARING PLATE.
- 2). TIGHTEN ASSEMBLY UNTIL CABLE IS TAUGHT.
- 3). ALL HOLES SHALL BE DRILLED PRIOR TO GALVANIZING.



ENGINEERING SUPPORT *Paul Johnson* 09/01/2020 DATE  
**RECOMMENDED**

**END ANCHORAGE HARDWARE**

STANDARD NO. B-13 (2020) SHT. 8 OF 12

REVIEWED *Mike Jones* 09/01/2020 DATE  
 DEPUTY DIRECTOR - DESIGN

APPROVED *Shrey* 09/01/2020 DATE  
 CHIEF ENGINEER