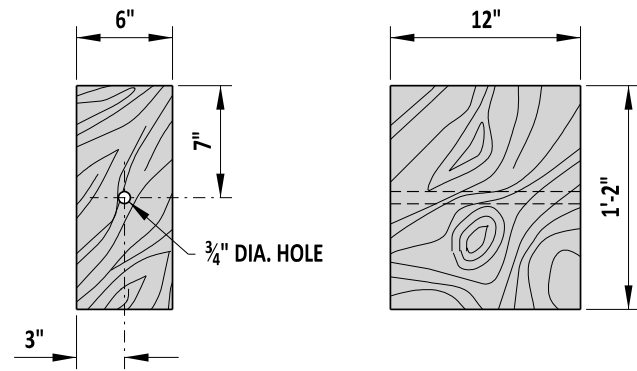
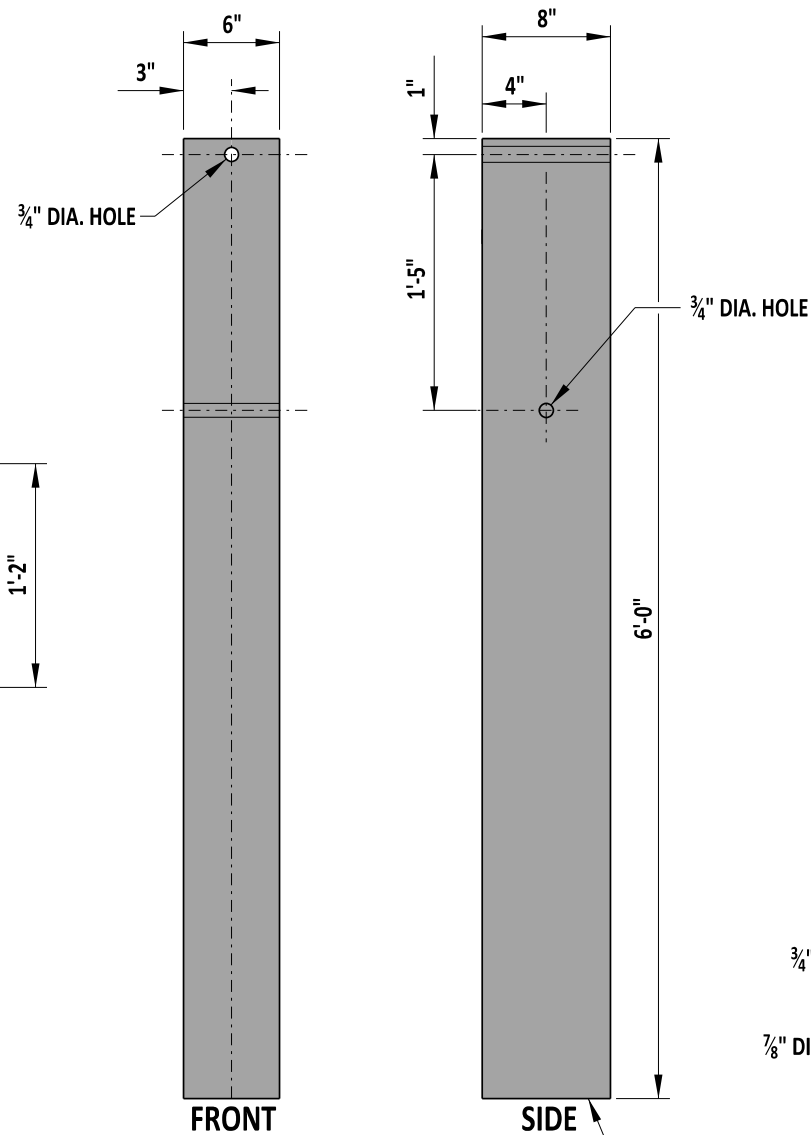
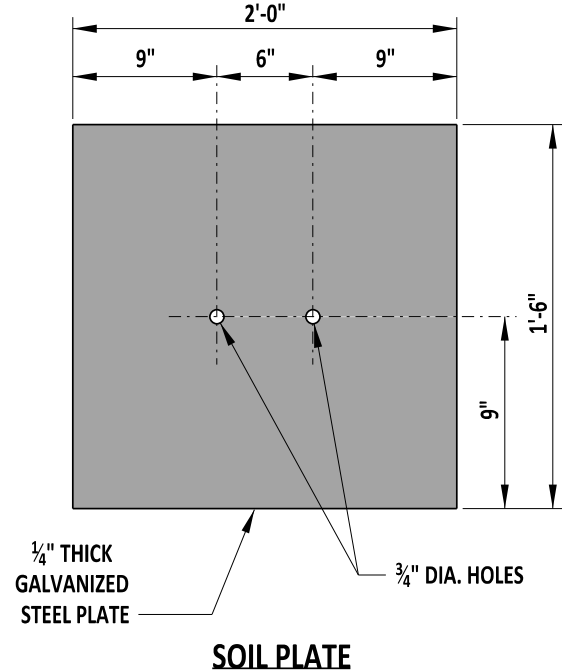


**WOOD OFFSET BLOCK  
TYPE 27**

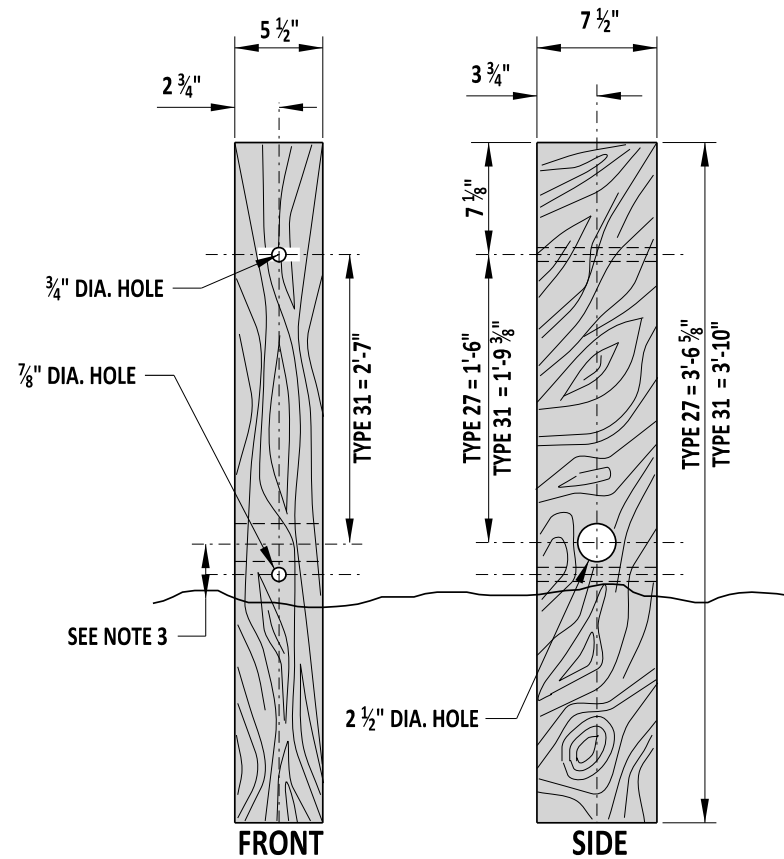


**WOOD OFFSET BLOCK,  
TYPE 31**

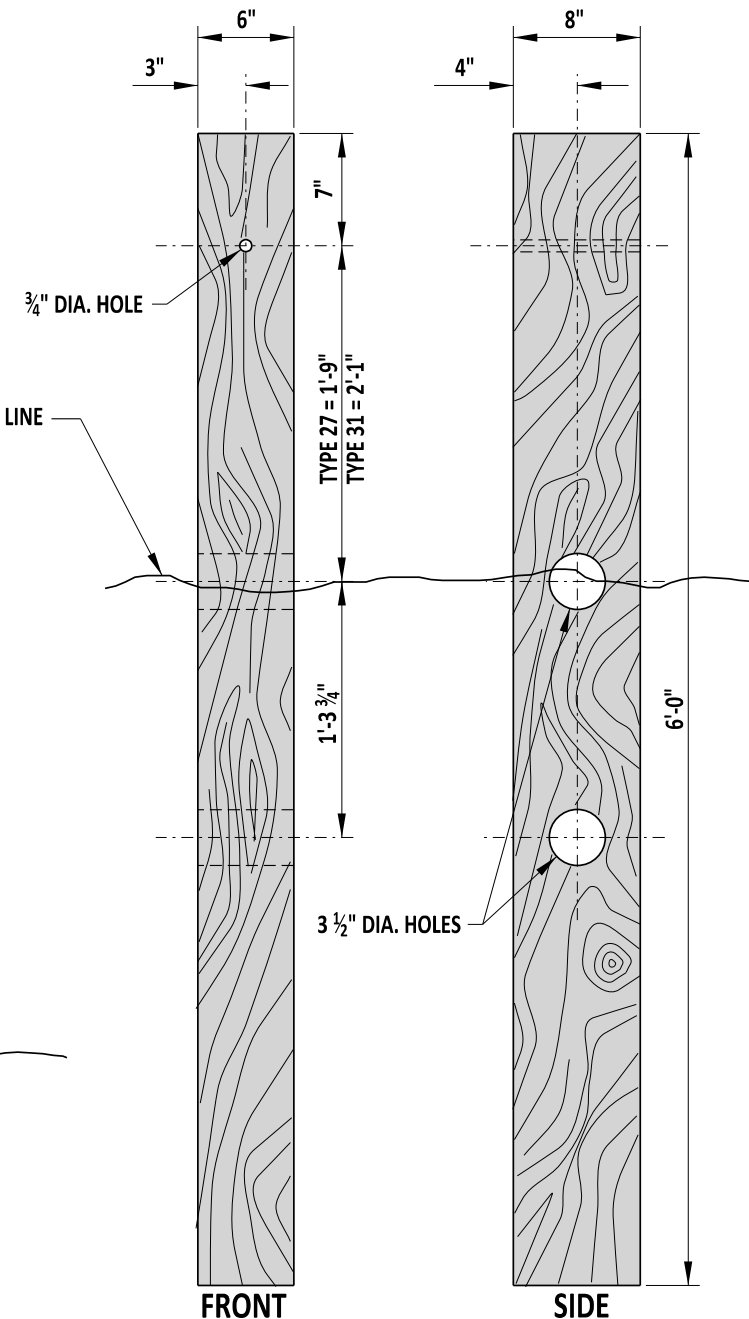


**STEEL TUBE**

- NOTES:**
- 1). ALL HOLES SHALL BE DRILLED PRIOR TO GALVANIZING.
  - 2). ALL WOOD SIZES ARE NOMINAL DIMENSIONS.
  - 3). PLACE POST SUCH THAT BREAKAWAY HOLES ARE NO LOWER THAN GROUND LEVEL AND NO HIGHER THAN 4" ABOVE GROUND LEVEL.



**SHORT WOOD BREAKAWAY POST**



**LONG WOOD BREAKAWAY POST**



*Paul Abn* 09/01/2020  
ENGINEERING SUPPORT DATE  
**RECOMMENDED**

**WOOD OFFSET BLOCKS, SOIL PLATE, STEEL TUBE AND WOOD BREAKAWAY POSTS**

**REVIEWED**

*Mike Long*  
DEPUTY DIRECTOR - DESIGN

09/01/2020  
DATE

STANDARD NO.

B-13 (2020)

SHT. 7

OF 12

**APPROVED**

*Shrey*  
CHIEF ENGINEER

09/01/2020  
DATE