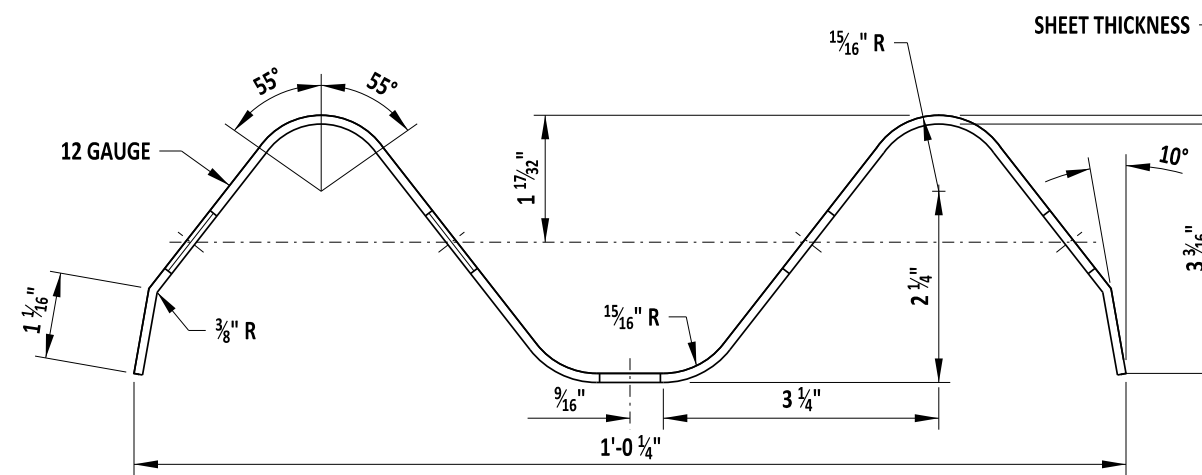


W-BEAM ELEVATION



W-BEAM SECTION

NOTE:
 1). FOUR ADDITIONAL 3/4" x 2 1/2" SLOTS SHALL BE PROVIDED AT 3'-1 1/2" SPACING FOR A 26'-0 1/2" BEAM LENGTH.



Paul Johnson
 ENGINEERING SUPPORT
 RECOMMENDED
 DATE 09/01/2020

W-BEAM SECTION AND ELEVATION

STANDARD NO. B-13 (2020) SHT. 1 OF 12

REVIEWED *Mike Lopez*
 DEPUTY DIRECTOR - DESIGN
 DATE 09/01/2020

APPROVED *Shrey*
 CHIEF ENGINEER
 DATE 09/01/2020