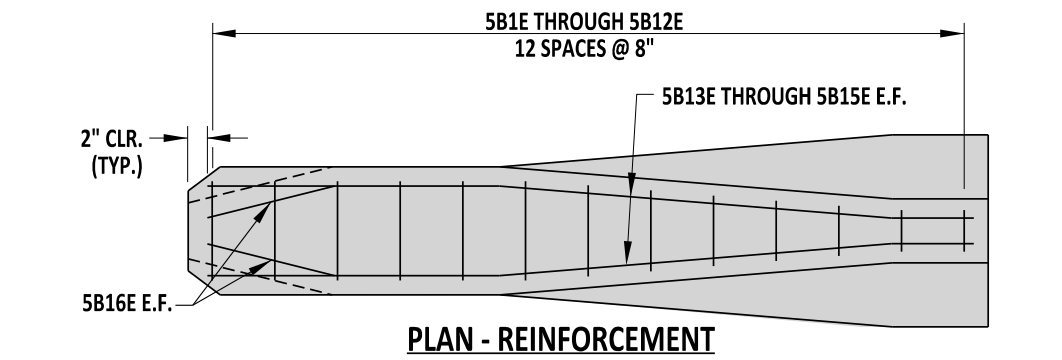
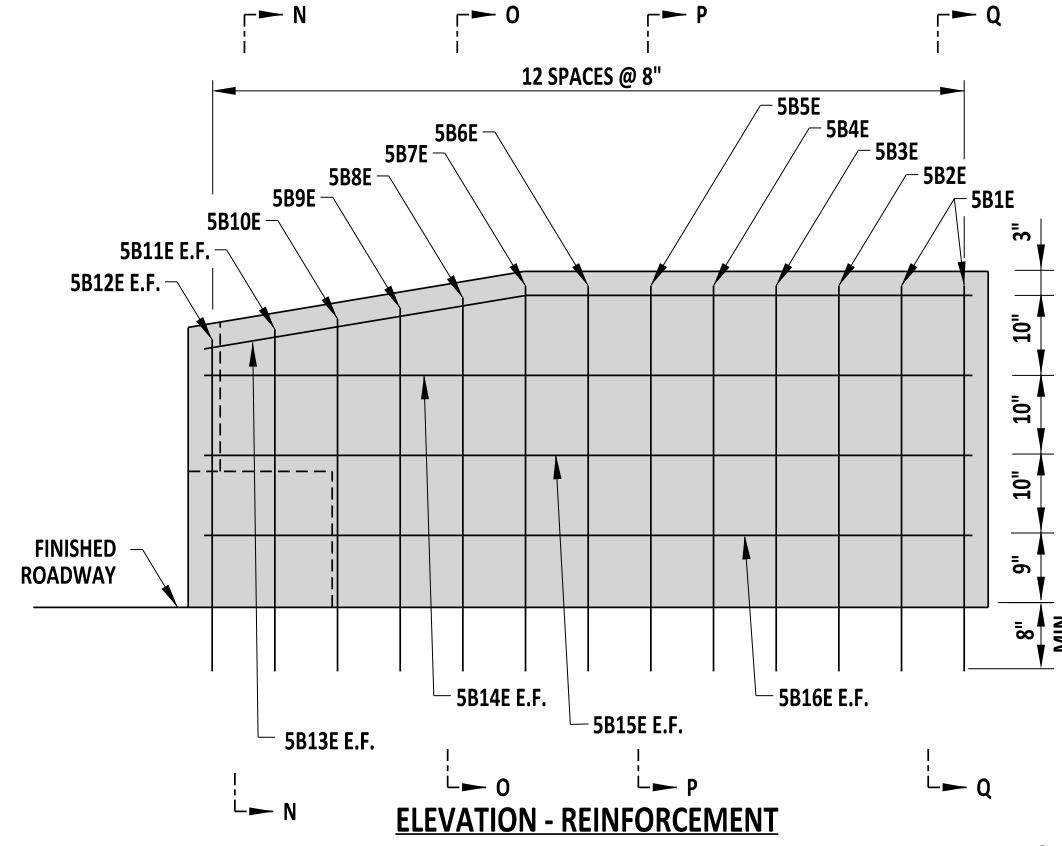


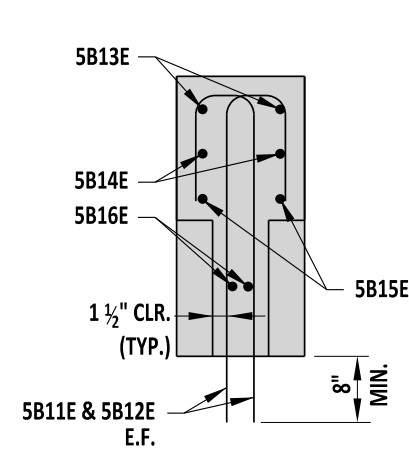
SCALE : NTS



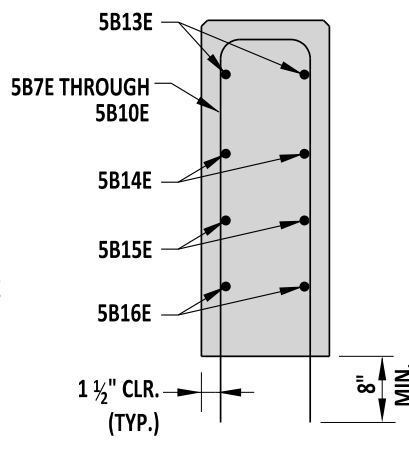
PLAN - REINFORCEMENT



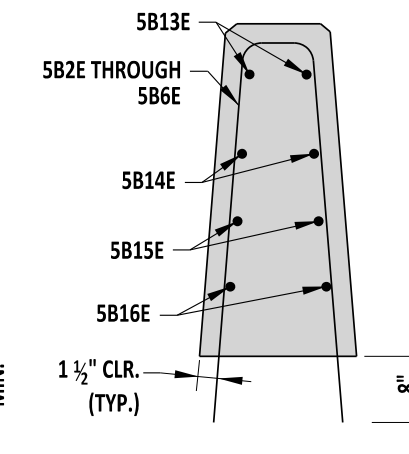
ELEVATION - REINFORCEMENT



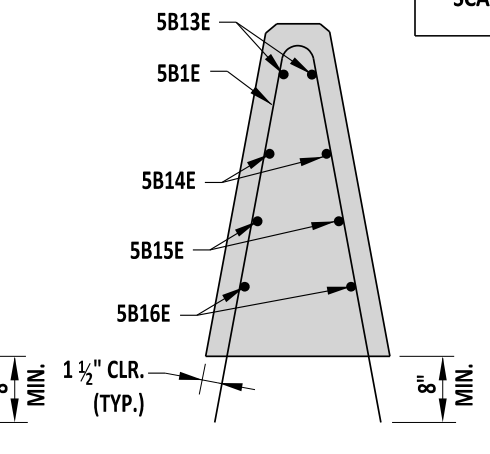
SECTION N-N



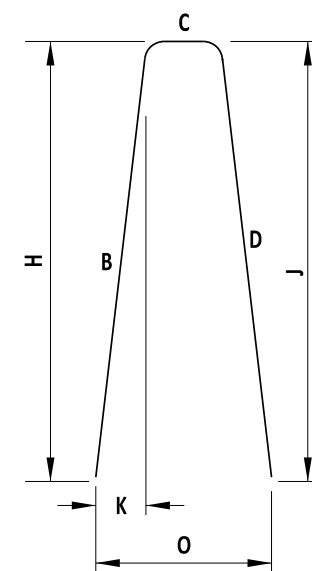
SECTION O-O



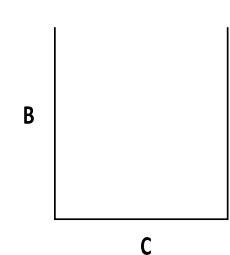
SECTION P-P



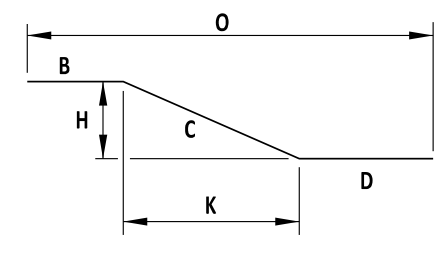
SECTION Q-Q



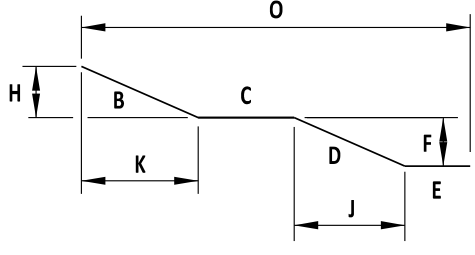
TYPE DE10 BAR



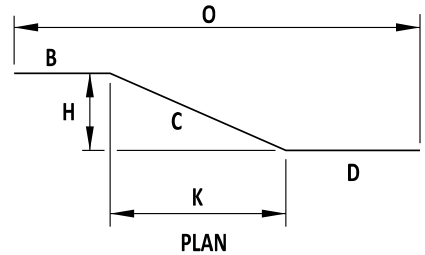
TYPE 17 BAR



TYPE 31 BAR



TYPE SP01 BAR



TYPE SP02 BAR

BAR SCHEDULE													
MARK	SIZE	QTY.	LENGTH	TYPE	B	C	D	E	F	H	J	K	O
5B1E	5	2	8'-8 3/4"	DE10	4'-1 1/2"	5 3/4"	4'-1 1/2"	-	-	4'-0 1/2"	4'-0 1/2"	9 1/2"	2'-0"
5B2E	5	1	8'-9"	DE10	4'-1 1/2"	6"	4'-1 1/2"	-	-	4'-0 1/2"	4'-0 1/2"	8 3/4"	1'-11 3/4"
5B3E	5	1	8'-10"	DE10	4'-1 1/4"	7 1/2"	4'-1 1/4"	-	-	4'-0 1/2"	4'-0 1/2"	7"	1'-9 1/2"
5B4E	5	1	8'-10 3/4"	DE10	4'-1"	8 3/4"	4'-1"	-	-	4'-0 1/2"	4'-0 1/2"	5 1/4"	1'-7 1/2"
5B5E	5	1	8'-11 3/4"	DE10	4'-0 3/4"	10 1/4"	4'-0 3/4"	-	-	4'-0 1/2"	4'-0 1/2"	3 1/2"	1'-5 1/4"
5B6E	5	1	9'-0 1/2"	DE10	4'-0 1/2"	11 1/2"	4'-0 1/2"	-	-	4'-0 1/2"	4'-0 1/2"	2"	1'-3 1/4"
5B7E	5	1	9'-2"	17	4'-0 1/2"	1'-1"	4'-0 1/2"	-	-	-	-	-	-
5B8E	5	1	8'-11 1/2"	17	3'-11 1/4"	1'-1"	3'-11 1/4"	-	-	-	-	-	-
5B9E	5	1	8'-8 1/2"	17	3'-9 3/4"	1'-1"	3'-9 3/4"	-	-	-	-	-	-
5B10E	5	1	8'-6"	17	3'-8 1/2"	1'-1"	3'-8 1/2"	-	-	-	-	-	-
5B11E	5	2	5'-9"	17	3'-6 1/2"	10 1/2"	1'-4"	-	-	-	-	-	-
5B12E	5	2	5'-5"	17	3'-6"	7 1/2"	1'-3 1/2"	-	-	-	-	-	-
5B13E	5	2	7'-11"	SP02	8"	4'-0 1/4"	3'-2 3/4"	3'-3 1/4"	-	4"	6 1/2"	4'-0"	7'-10 3/4"
5B14E	5	2	7'-10 3/4"	31	8"	4'-0"	3'-2 3/4"	-	-	1 1/2"	-	4'-0"	7'-10 3/4"
5B15E	5	2	7'-10 3/4"	STR	-	-	-	-	-	-	-	-	-
5B16E	5	2	8'-0 1/4"	SP01	1'-0 3/4"	2'-3 1/2"	4'-0"	8"	2 1/4"	3"	4'-0"	1'-0 1/2"	-

NOTES:
 1). CONCRETE CLEAR COVER FOR REINFORCEMENT BARS SHALL BE 1 1/2" MINIMUM, UNLESS NOTED OTHERWISE.
 2). USE STANDARD STIRRUP AND TIE HOOK BEND DIAMETERS, NOT STANDARD END HOOK DIAMETERS.
 3). E.F. = EACH FACE



ENGINEERING SUPPORT
 RECOMMENDED
 DATE: 09/01/2020

THRIE-BEAM AGT TO CONCRETE BUTTRESS - 42" SINGLE SLOPE TRANSITION
 STANDARD NO. B-11 (2020) SHT. 8 OF 8

REVIEWED
 APPROVED
 DEPUTY DIRECTOR - DESIGN
 CHIEF ENGINEER
 DATE: 09/01/2020

TL-5