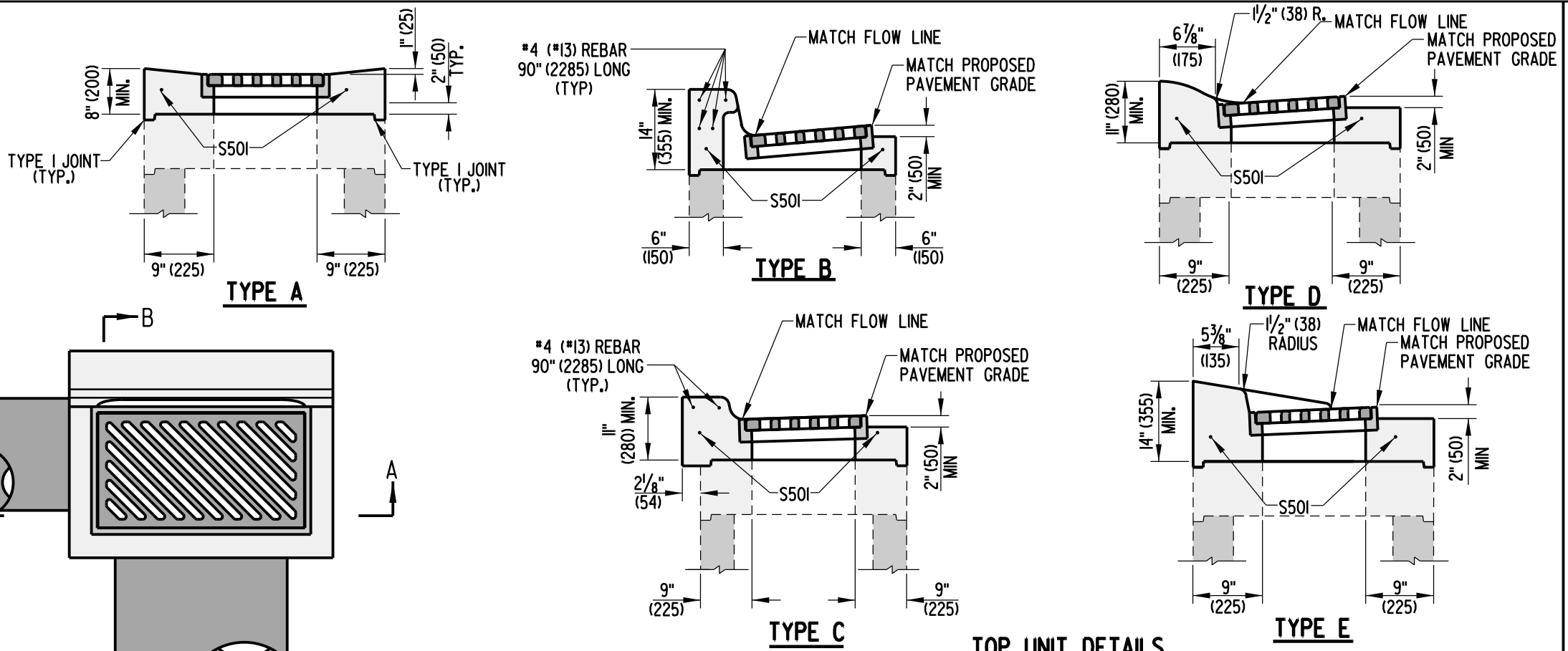
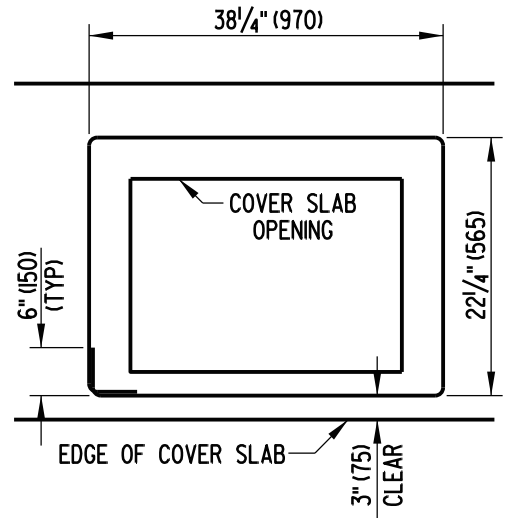


SCALE : N.T.S.



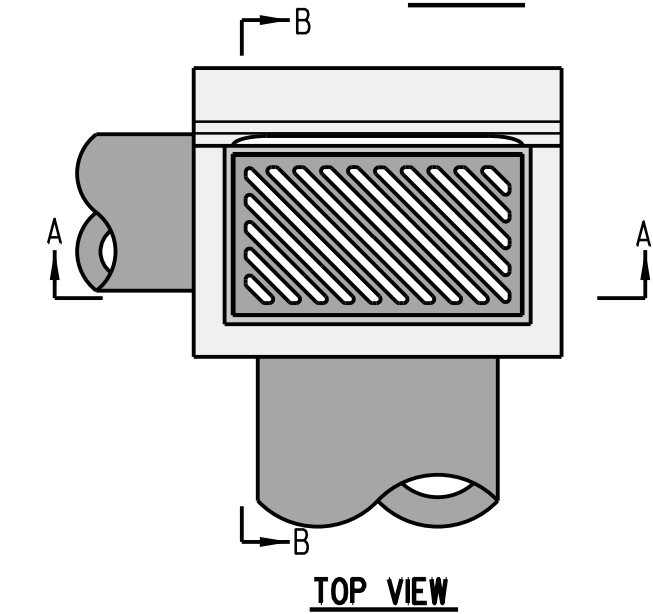
TOP UNIT DETAILS

NOTE: SEE DETAIL D-5, SHEET 3 OF 8 FOR INLET TOP UNIT APPLICATIONS.

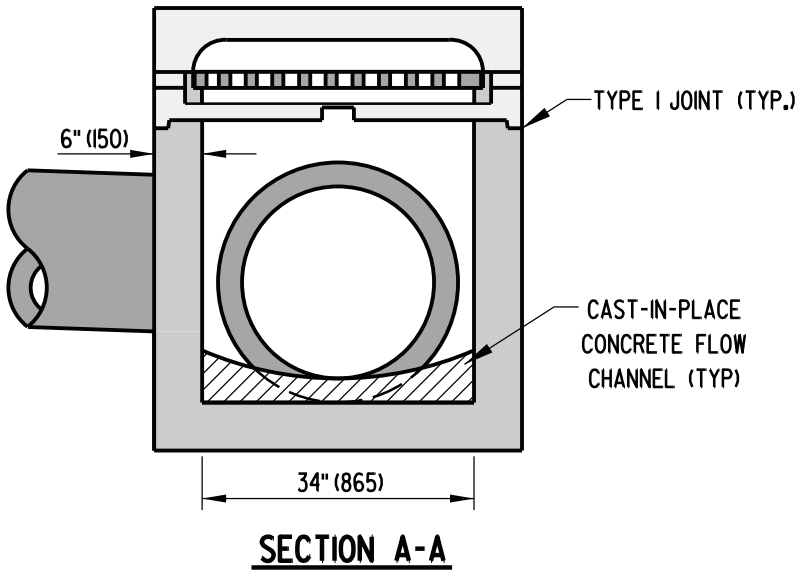


S503 BENDING DIAGRAM

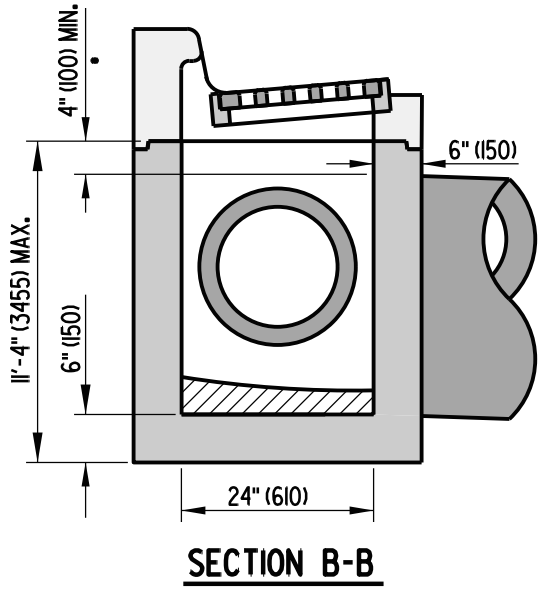
S503 IS NOT REQUIRED TO BE ONE CONTINUOUS BAR. IF MORE THAN ONE BAR IS USED, THERE MUST BE A 12" (300) OVERLAP BETWEEN BARS.



TOP VIEW



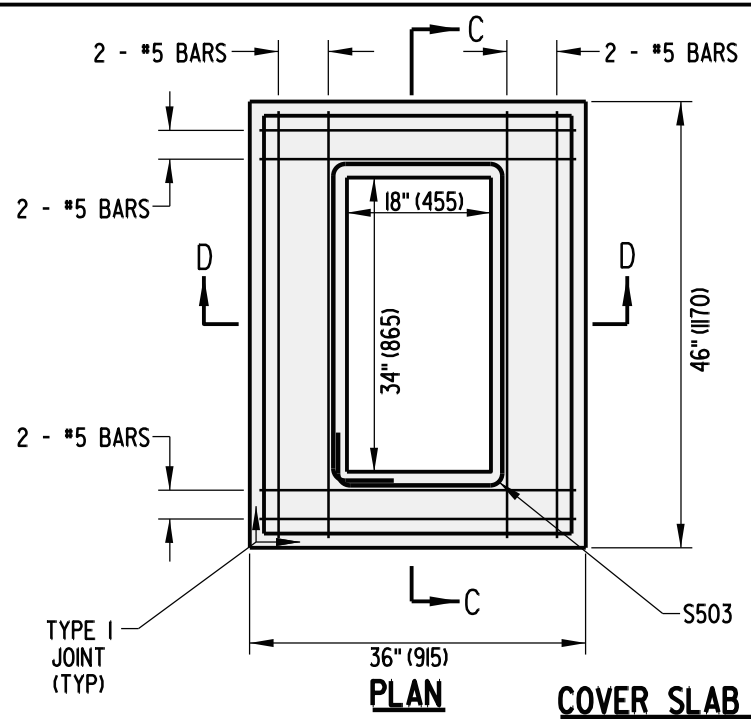
SECTION A-A



SECTION B-B

DRAINAGE INLET DETAILS

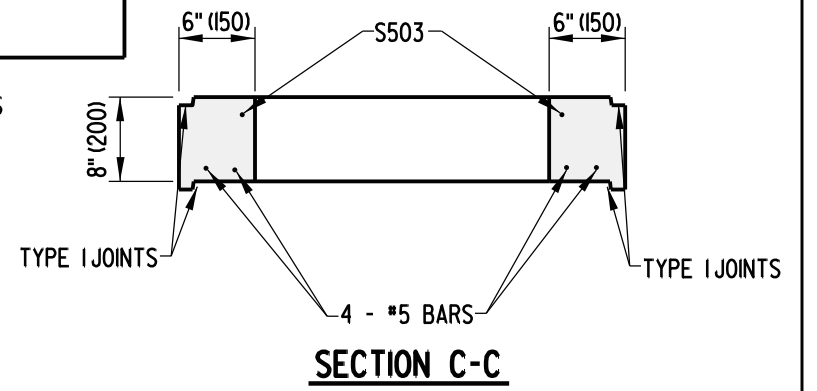
NOTE: REFER TO PREVIOUS SHEETS FOR REINFORCING REQUIREMENTS
 - - SEE OPTIONAL PIPE OPENING DETAIL ON STANDARD NO. D-4, SHEET 1 OF 1



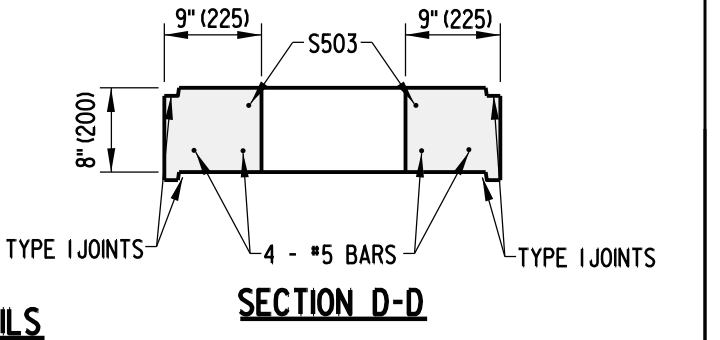
PLAN

COVER SLAB DETAILS

NOTE: COVER SLAB IS ONLY NEEDED FOR TYPES A, D, & E TOP UNITS FOR THE 34" (865) x 24" (610) DRAINAGE INLET.



SECTION C-C



SECTION D-D