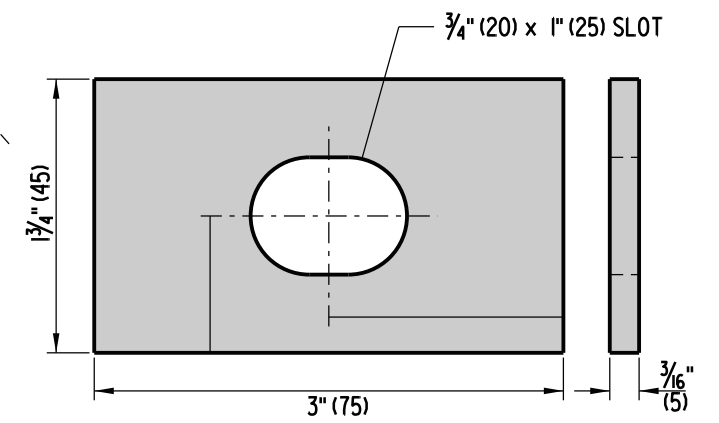
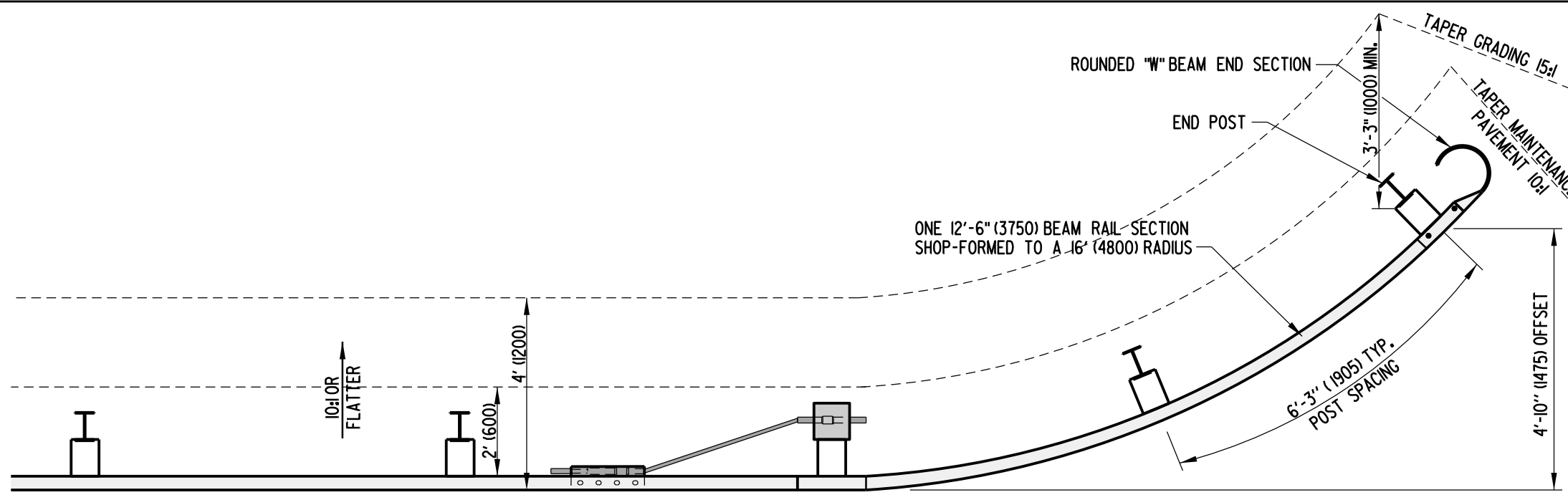
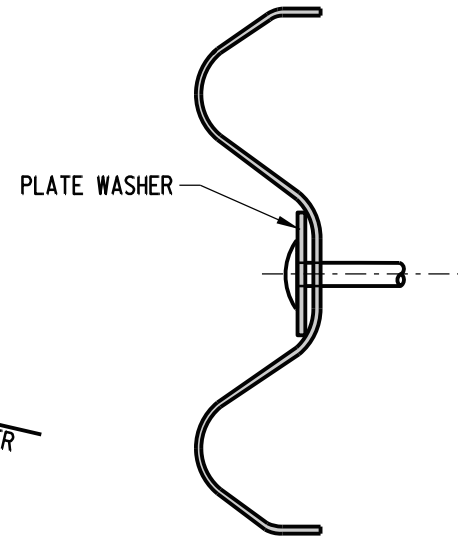
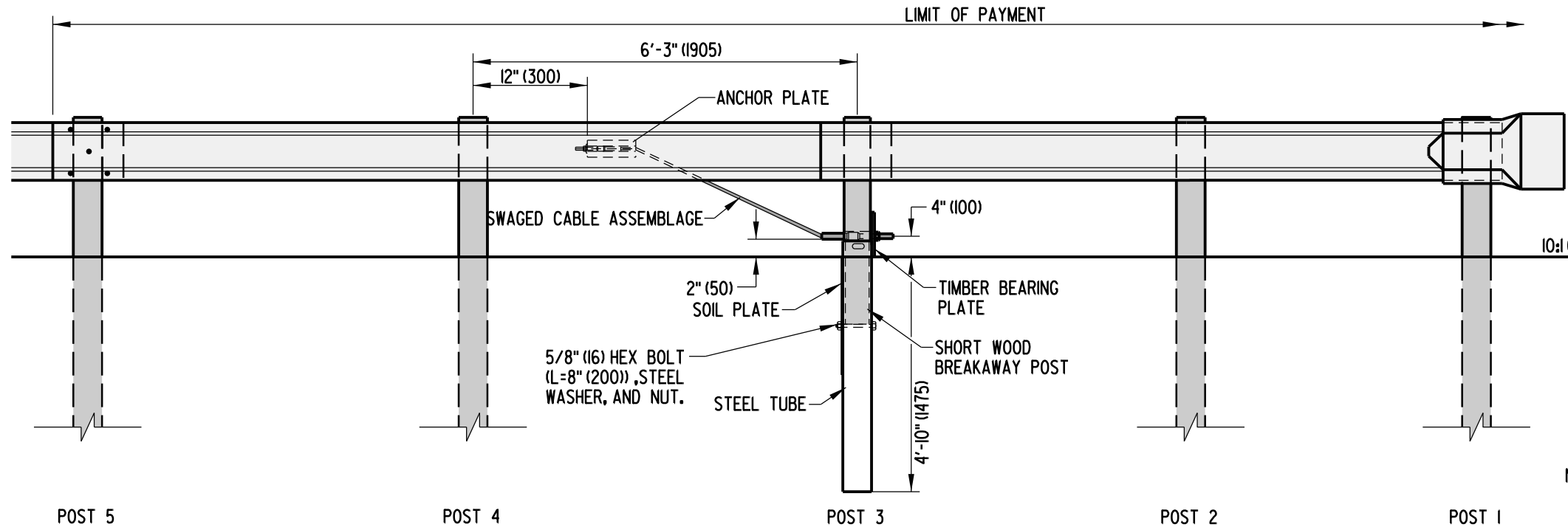


SCALE : N.T.S.



**PLAN**

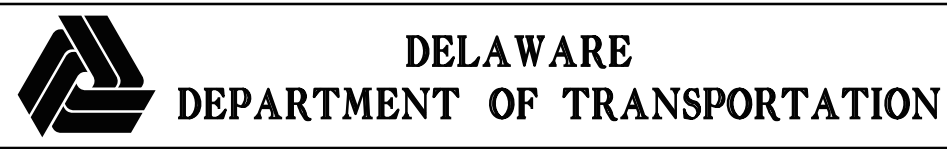


**PLATE WASHER MOUNTING POSITION**

**ELEVATION**

**NOTES:**

- 1). ADDITIONAL HOLES FOR ANCHOR PLATE SHALL BE DRILLED PRIOR TO GALVANIZING. (SEE STANDARD HARDWARE SHEET FOR HOLE SPACING INFORMATION).
- 2). CONTRACTOR HAS THE OPTION OF USING A 6' (1830) STEEL TUBE WITHOUT A SOIL PLATE OR A 5' (1525) STEEL TUBE WITH A SOIL PLATE.
- 3). PLATE WASHERS WILL BE INSTALLED AT POSTS 3 & 4 ONLY.
- 4). THIS END TREATMENT SHALL ONLY BE USED ON TRAVEL WAYS WITH A POSTED SPEED LIMIT OF 40 MPH (64 KM/H) OR LESS.



<b>GUARDRAIL END TREATMENT, TYPE 4</b>			
<b>STANDARD NO.</b>	<b>B-3 (2009)</b>	<b>SHT.</b>	<b>1 OF 1</b>

<b>APPROVED</b>	SIGNATURE ON FILE	01/19/2010
	CHIEF ENGINEER	DATE
<b>RECOMMENDED</b>	SIGNATURE ON FILE	01/14/2010
	DESIGN ENGINEER	DATE