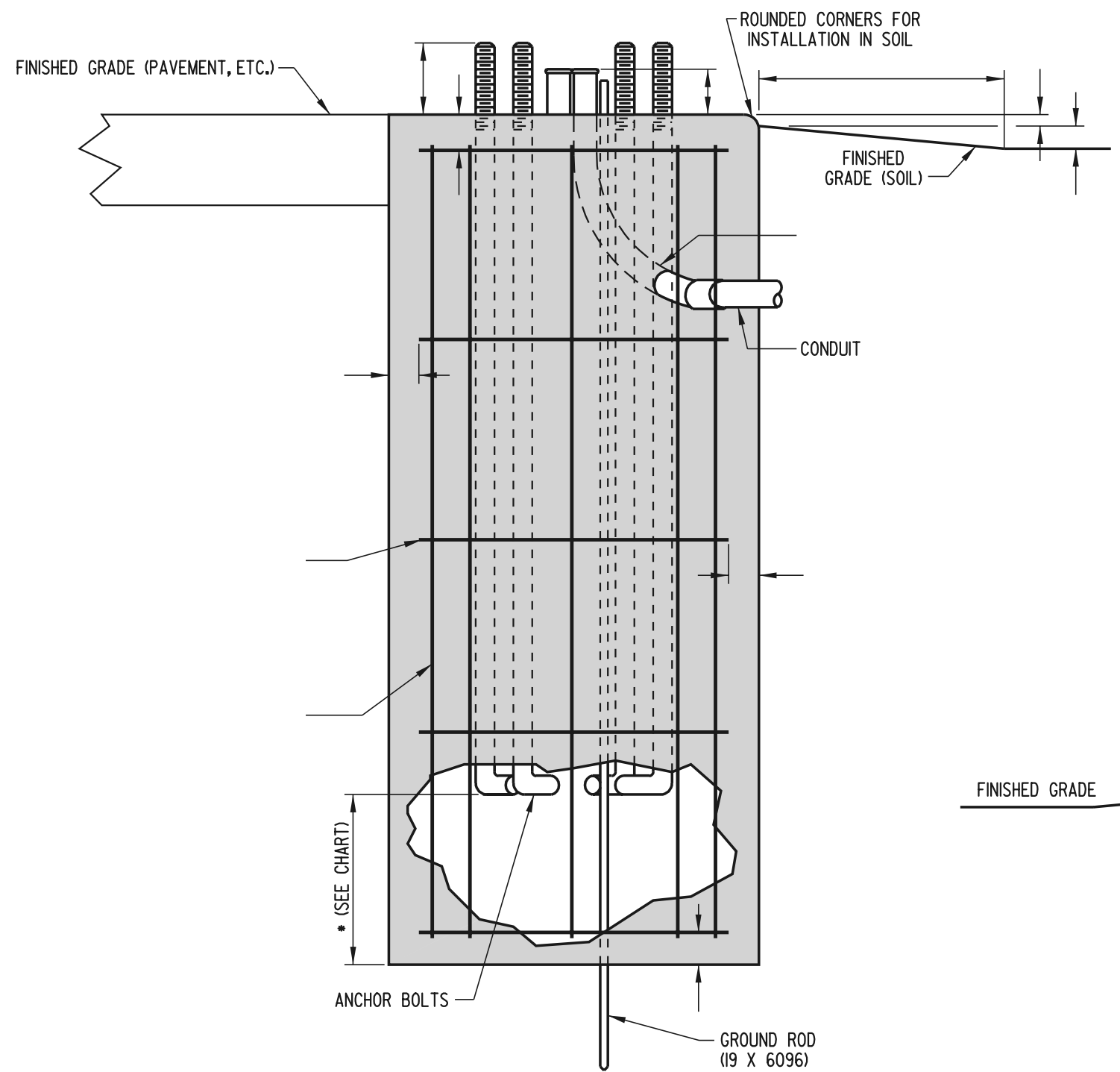
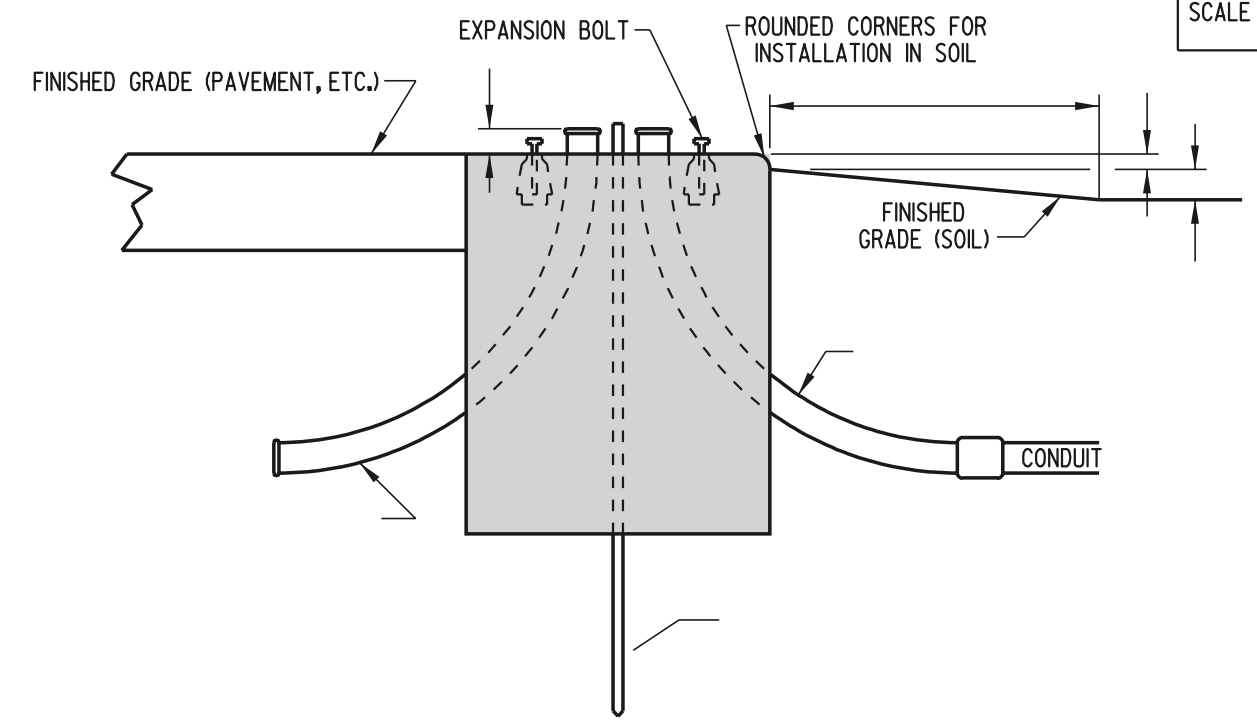


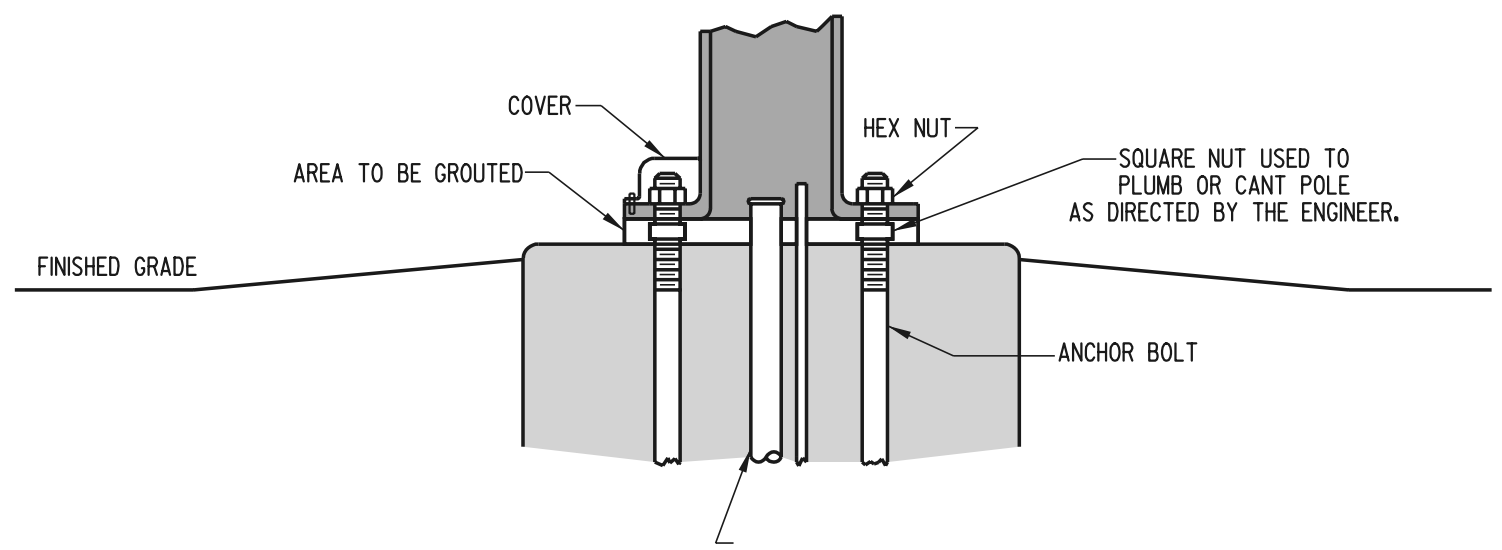
SCALE :



TYPICAL SECTION (BASES 1,2,2A,2B,3,3A,3B, AND 7)



TYPICAL SECTION (BASE 4)



TYPICAL INSTALLATION (BASES 1,2,2A,2B,3,3A,3B,4, AND 7)

PLAN SYMBOL

