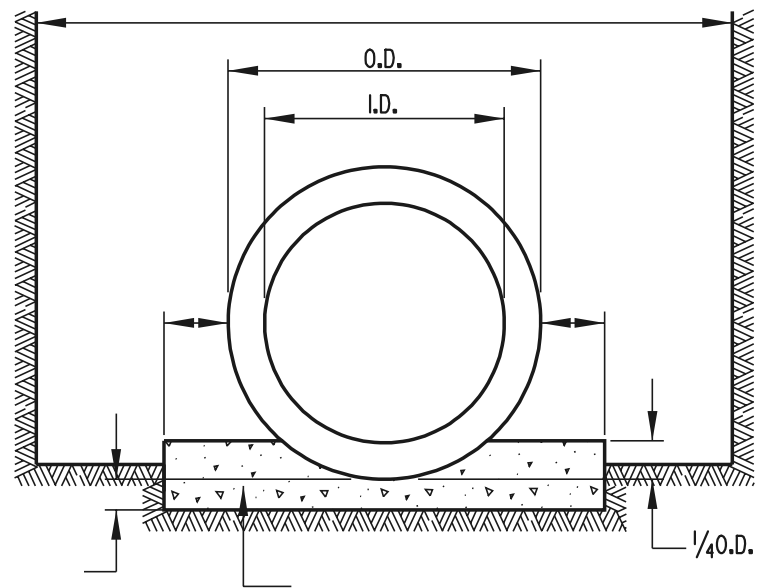
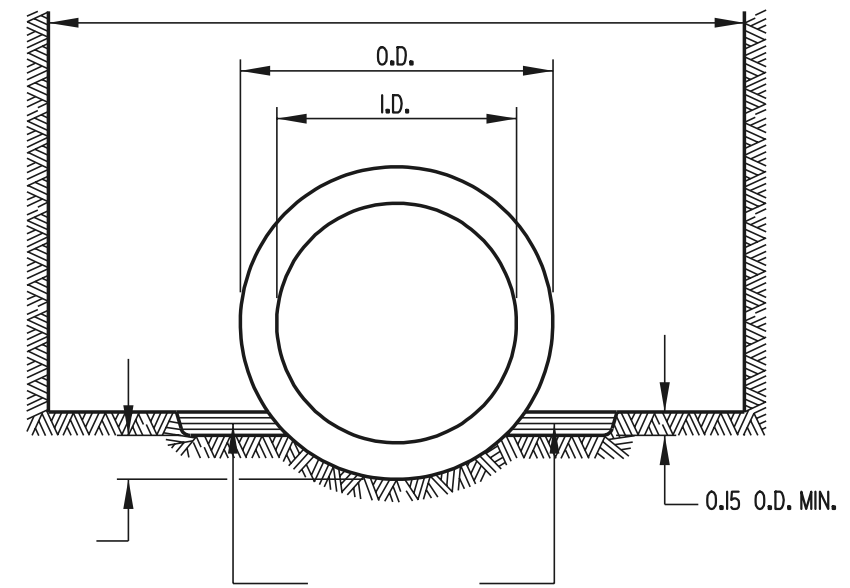


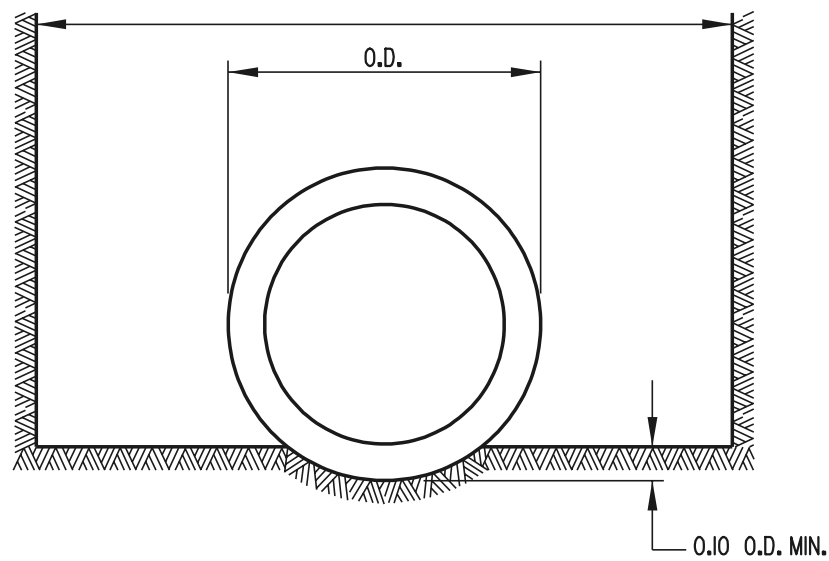
SCALE :



CLASS A BEDDING

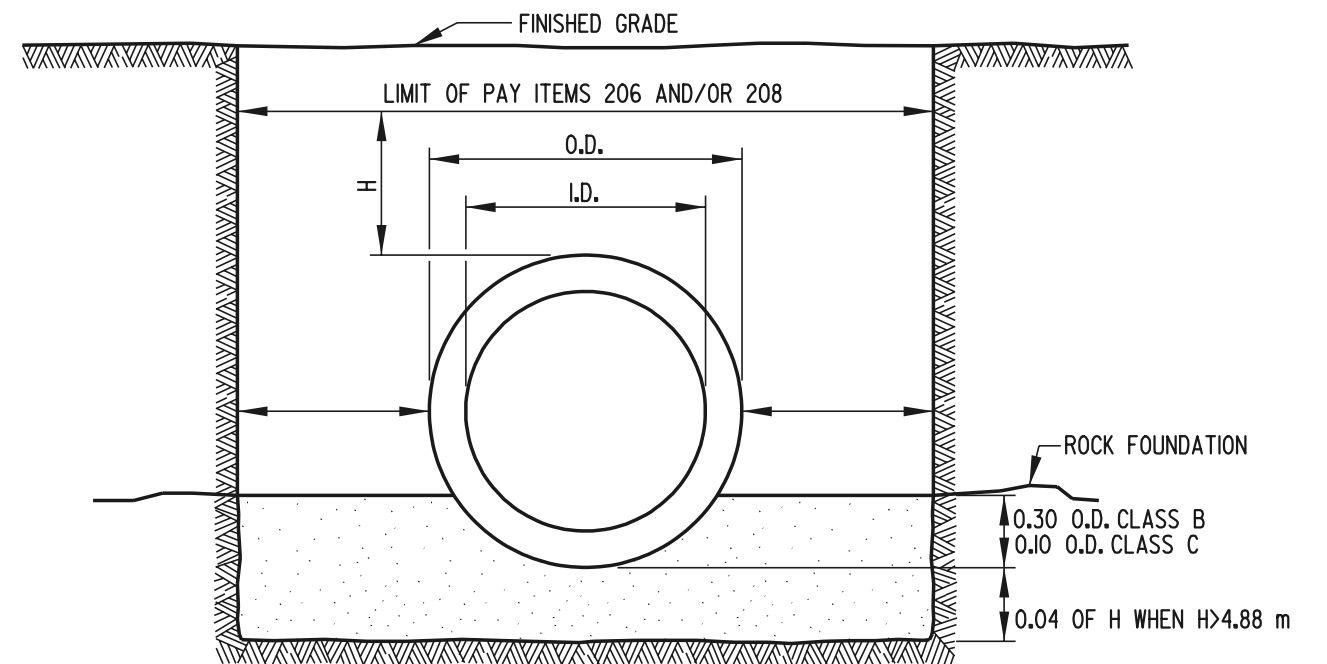


CLASS B BEDDING



CLASS C BEDDING

NOTE: USE CLASS C BEDDING UNLESS OTHERWISE INDICATED



CLASS B&C BEDDING IN ROCK



DELAWARE
DEPARTMENT OF TRANSPORTATION

PIPE BEDDING

STANDARD NO. D-8 (2000)

SHT. 1 OF 1

APPROVED

CHIEF ENGINEER _____ DATE _____

RECOMMENDED

DESIGN ENGINEER _____ DATE _____