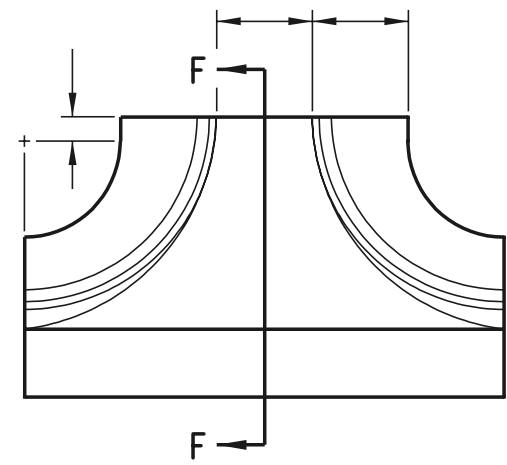
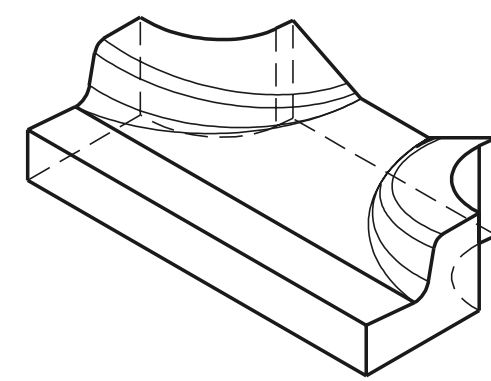


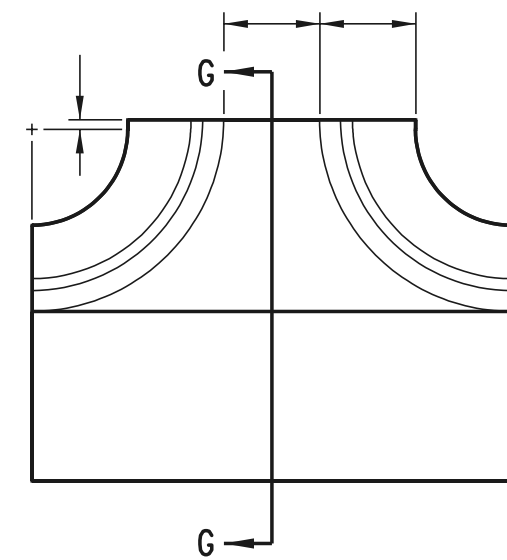
SCALE :



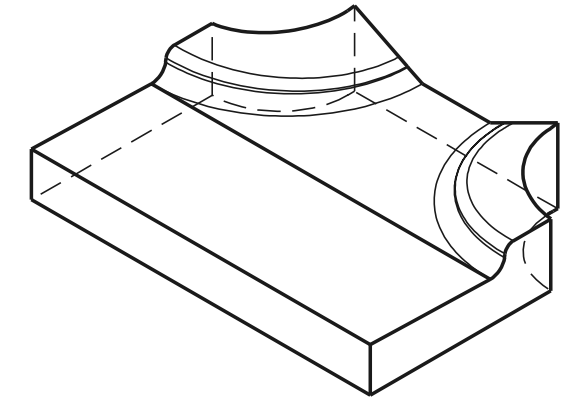
TOP VIEW



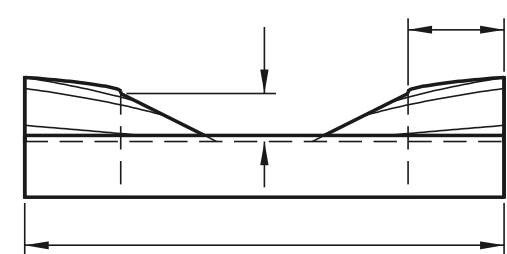
ISOMETRIC VIEW



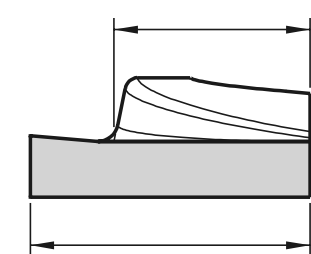
TOP VIEW



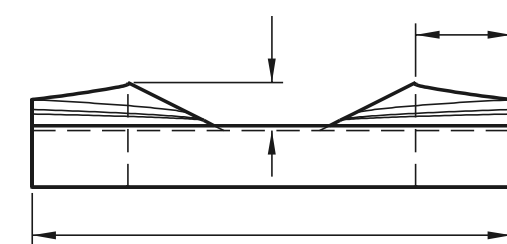
ISOMETRIC VIEW



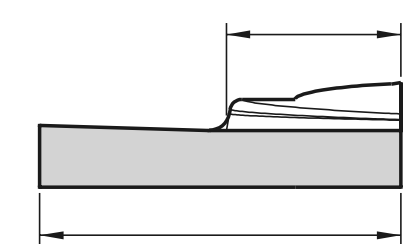
FRONT VIEW



SECTION F-F



FRONT VIEW



SECTION G-G

TYPE F
INTEGRAL P.C.C. CURB AND GUTTER, TYPE 3

TYPE G
INTEGRAL P.C.C. CURB AND GUTTER, TYPE 4



DELAWARE
DEPARTMENT OF TRANSPORTATION

CURB OPENINGS			
STANDARD NO.	C-4 (2000)	SHT.	3 OF 3

APPROVED	_____	DATE	_____
	CHIEF ENGINEER		
RECOMMENDED	_____	DATE	_____
	DESIGN ENGINEER		