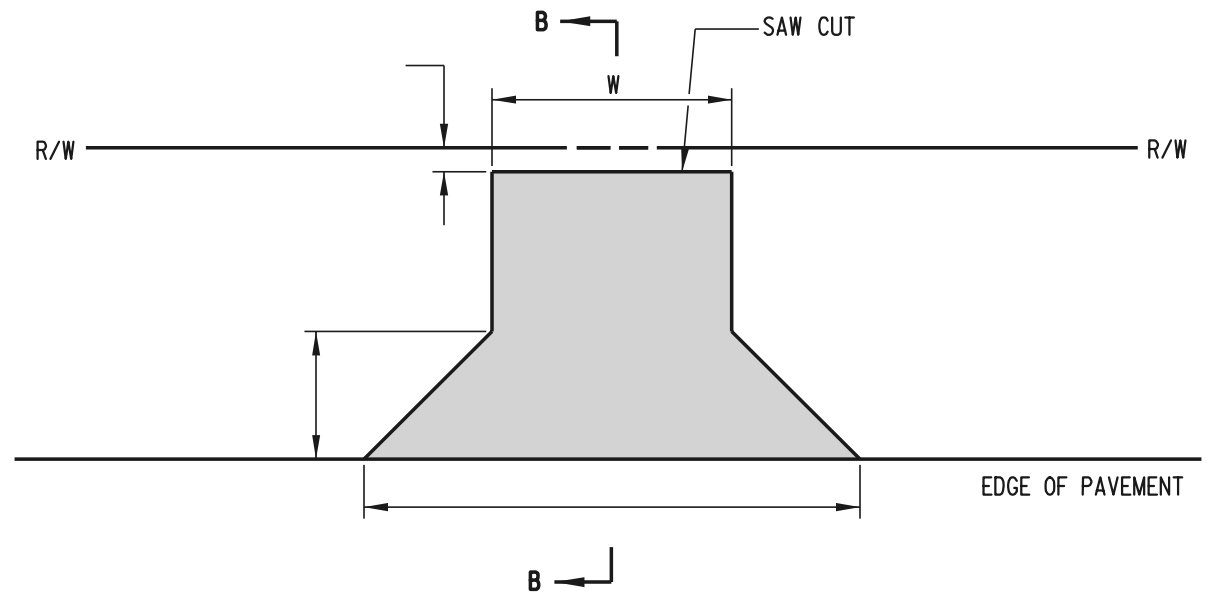
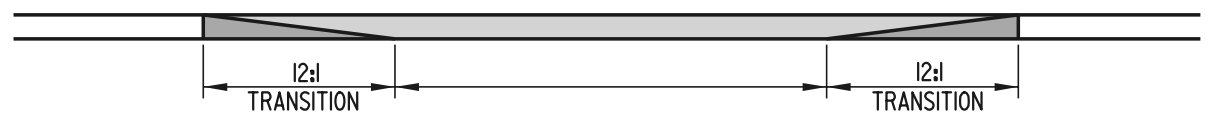


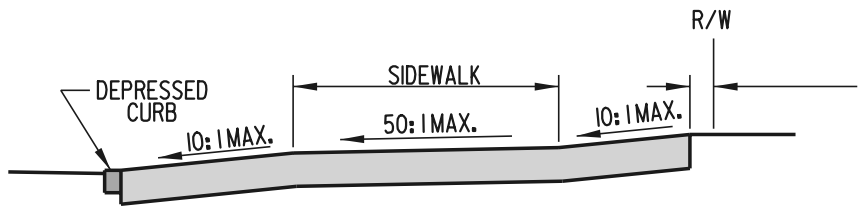
PLAN
URBAN APPLICATION



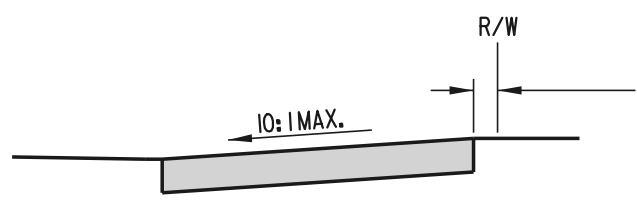
PLAN
RURAL APPLICATION



ELEVATION



SECTION A-A



SECTION B-B



ENTRANCES			
STANDARD NO.	C-3 (2000)	SHT. 1	OF 1

APPROVED	_____	DATE _____
	<small>CHIEF ENGINEER</small>	
RECOMMENDED	_____	DATE _____
	<small>DESIGN ENGINEER</small>	