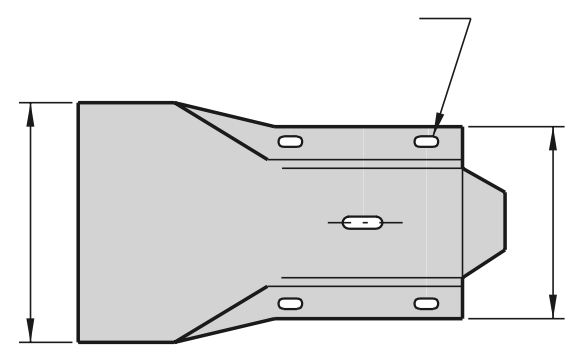
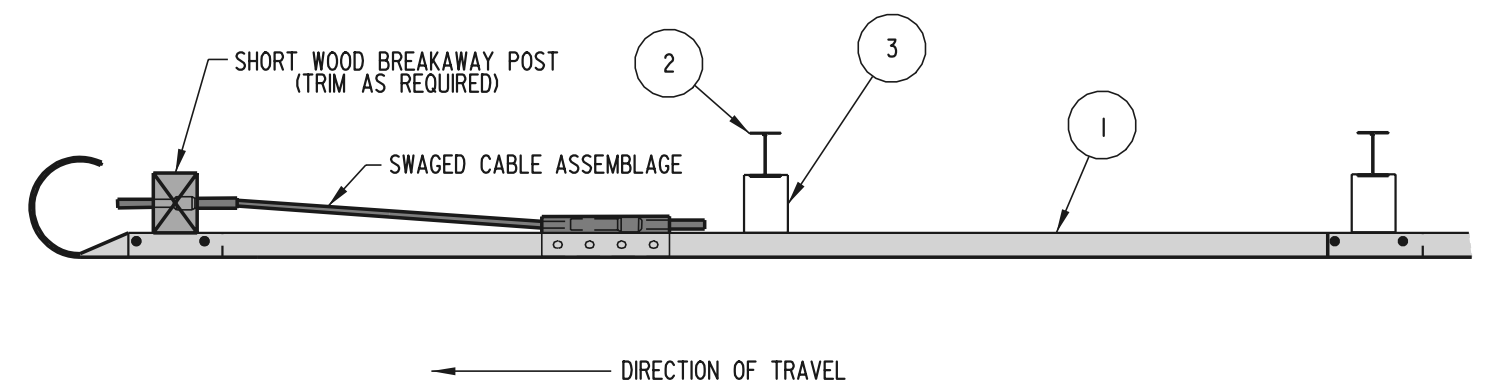


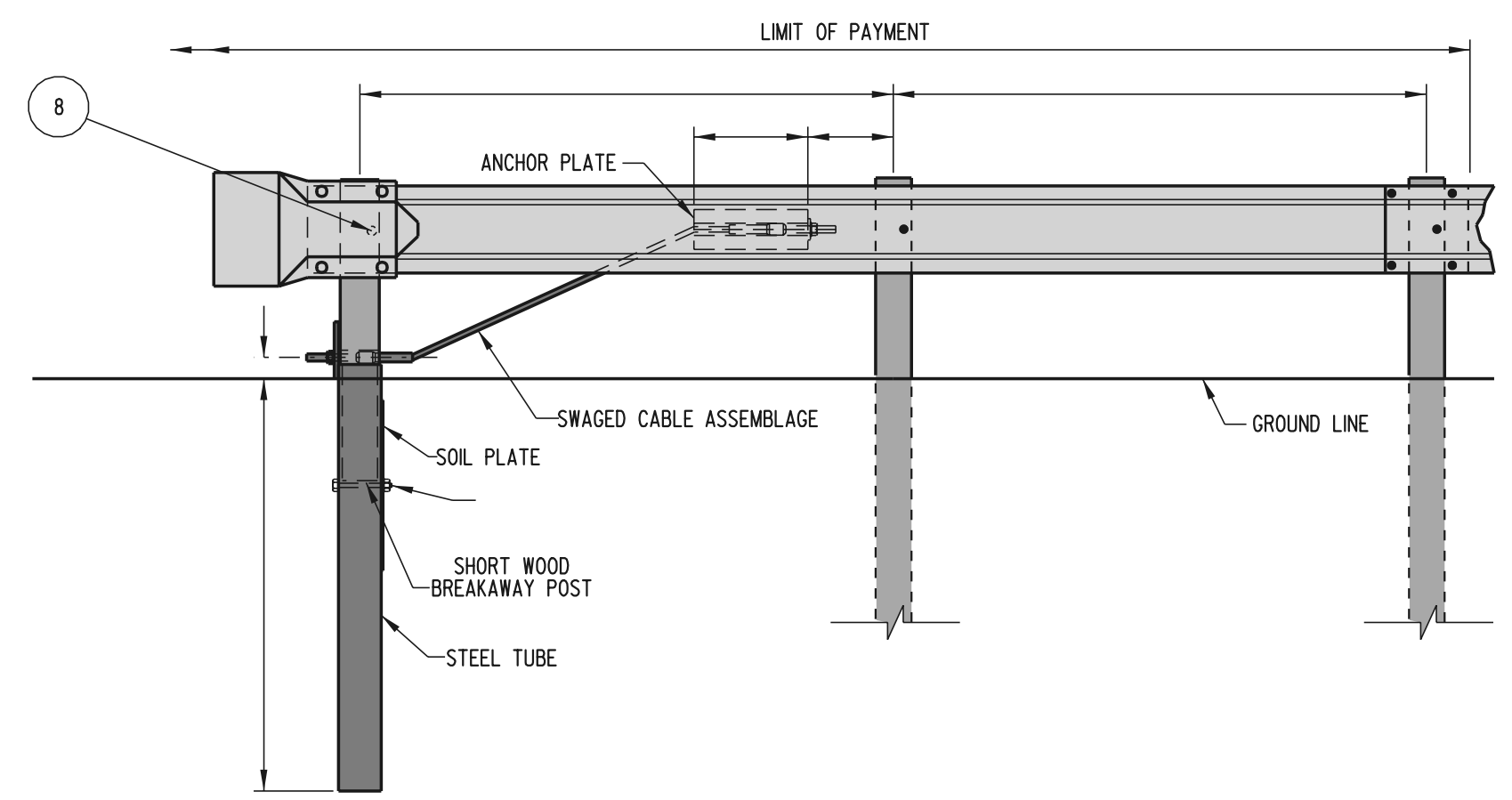
END SECTION PLAN



END SECTION ELEVATION



PLAN



ELEVATION

NOTE: ADDITIONAL HOLES FOR ANCHOR PLATE SHALL BE DRILLED PRIOR TO GALVANIZING. (SEE STANDARD HARDWARE SHEET FOR HOLE SPACING INFORMATION).