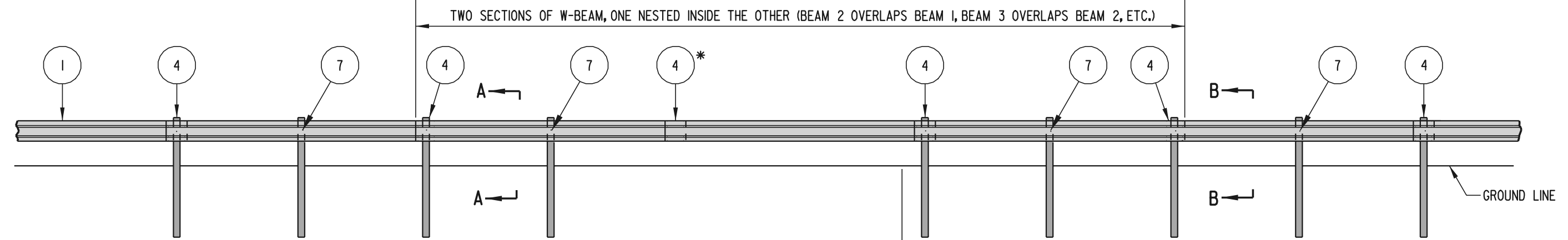
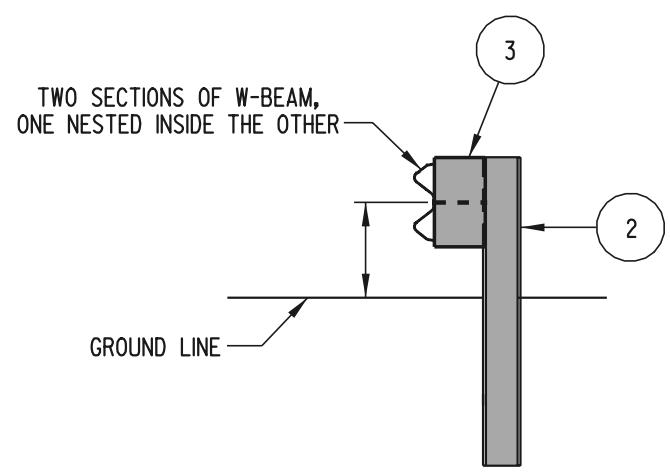


**PLAN**

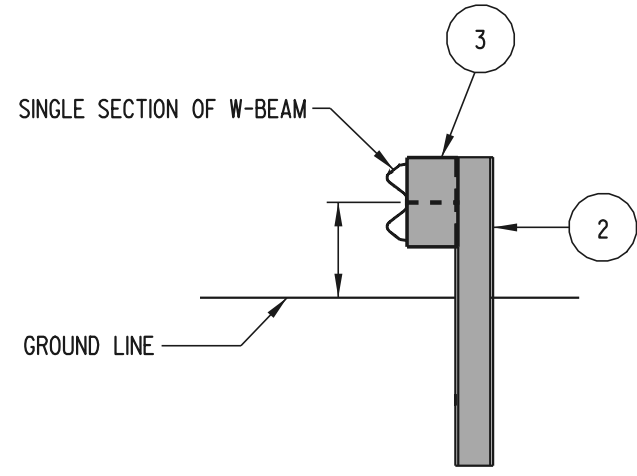
\* SINCE NO POST OR OFFSET BLOCK IS PRESENT AT THIS LOCATION, 16 mm GUARDRAIL BOLT (L=255) IS NOT REQUIRED.



**ELEVATION**



**SECTION A-A**



**SECTION B-B**

FOR SPLICES SHALL BE DRILLED PRIOR TO GALVANIZING.  
2. PLACE REFLECTORIZED WASHER EVERY FIFTH POST.