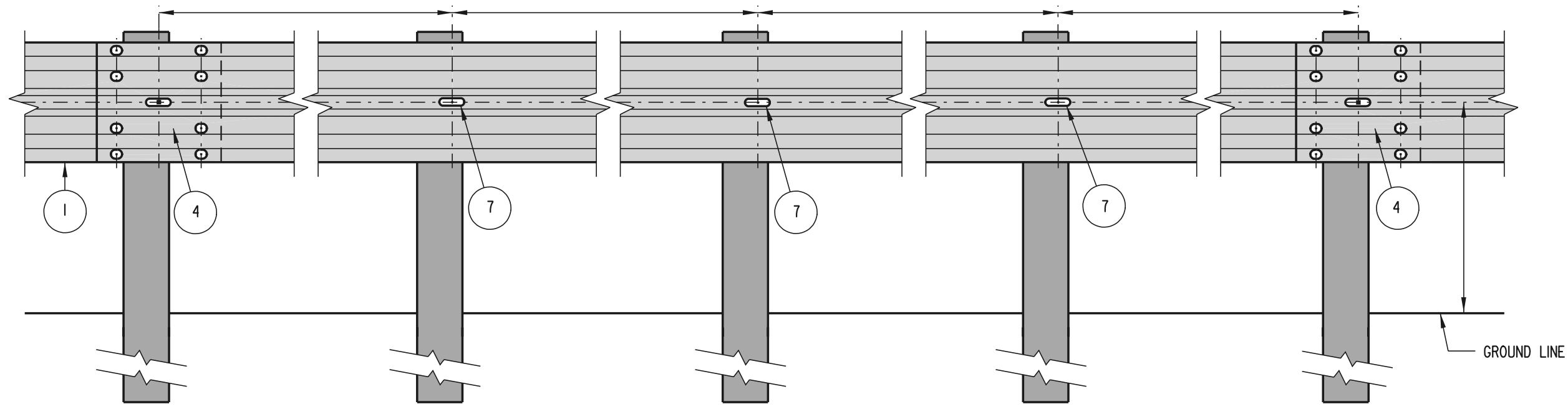
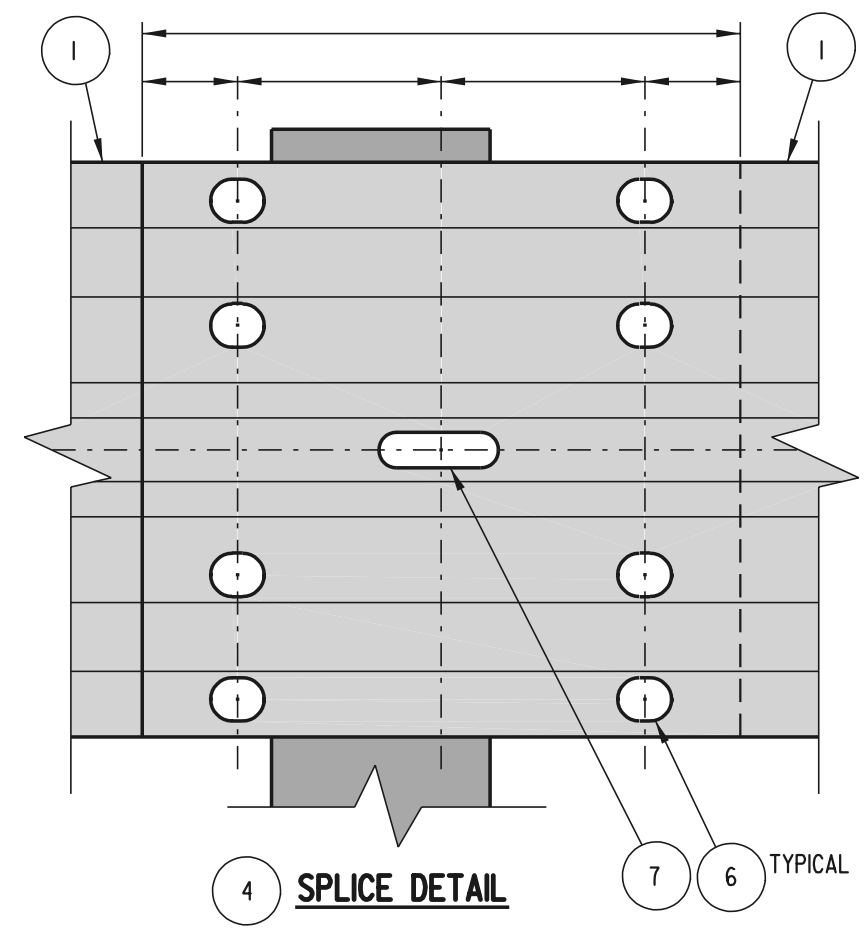


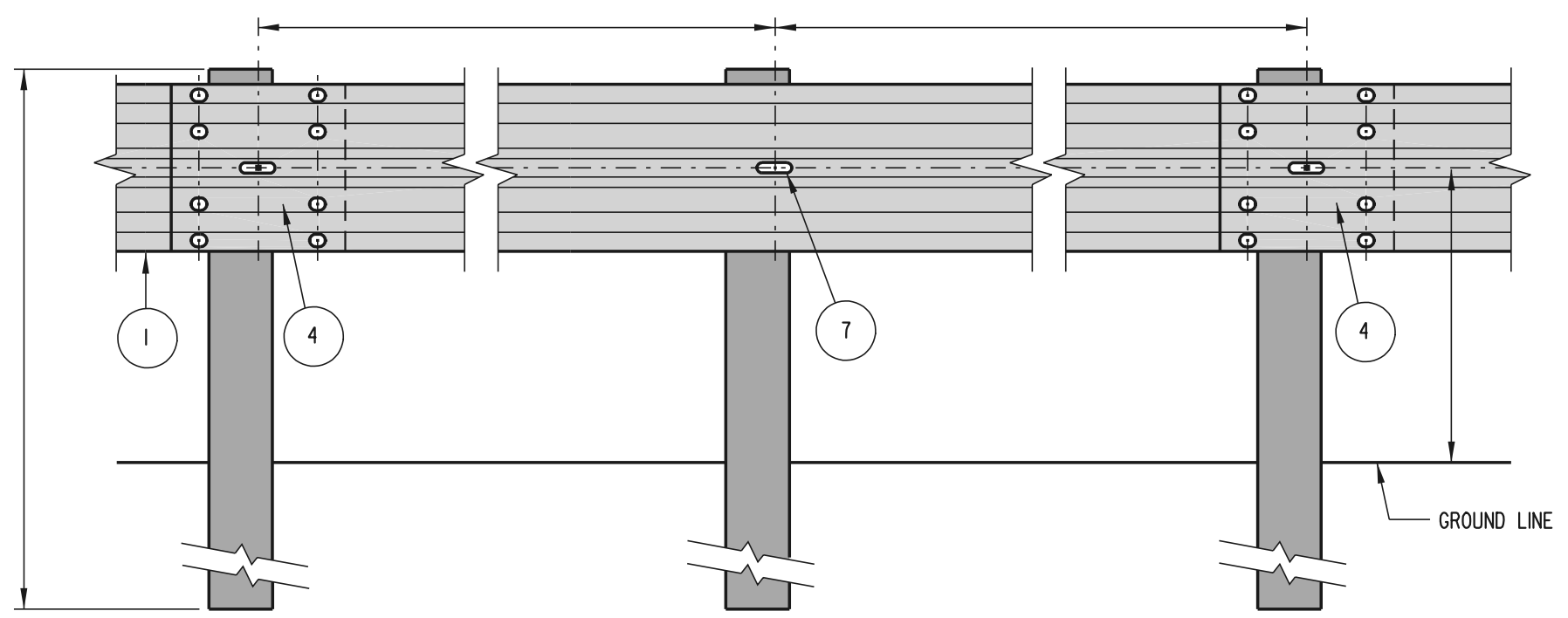
SCALE :



TYPE 2



4 SPLICE DETAIL 7 6 TYPICAL



TYPE 1 OR 3

NOTES : 1). OVERLAP W-BEAMS IN DIRECTION OF TRAVEL.
2). PLACE REFLECTORIZED WASHER EVERY FIFTH POST.