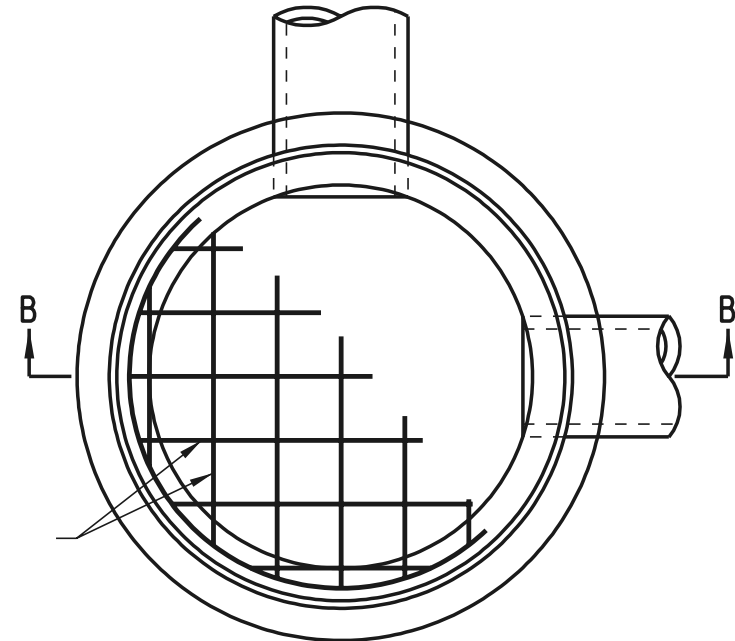
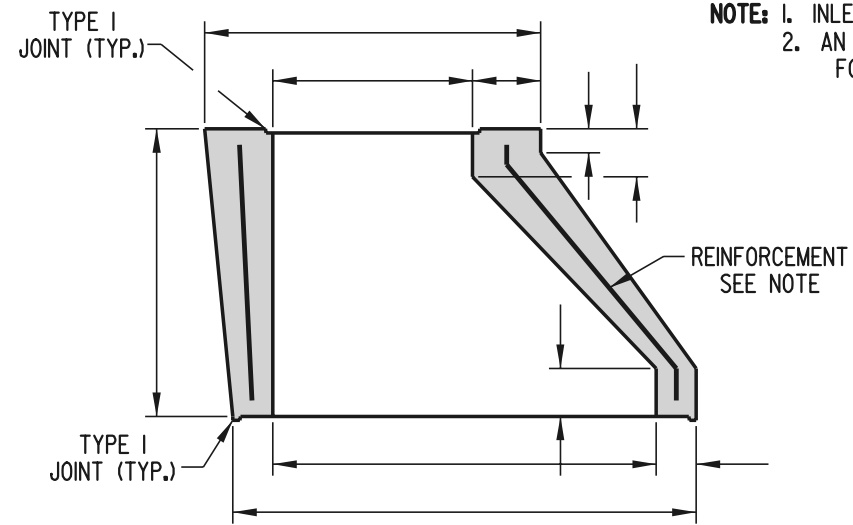


PLAN

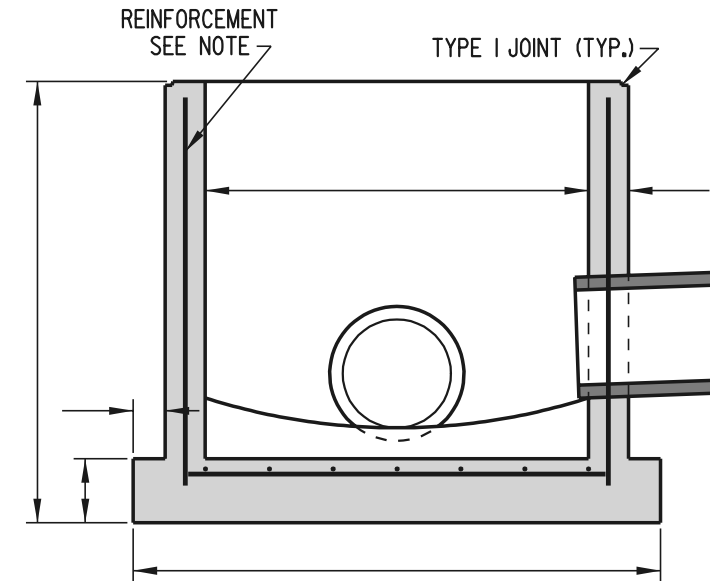


PLAN



SECTION A-A

NOTE: 1. INLET BOXES ARE TO BE PRE-CAST OR CAST-IN-PLACE.
 2. AN AREA OF 77 mm sq. OF REINFORCEMENT SHALL BE USED FOR EVERY 300 mm (BOTH WAYS) ON VERTICAL WALLS.



SECTION B-B

ROUND MANHOLE STRUCTURE DETAILS

MANHOLE DETAILS