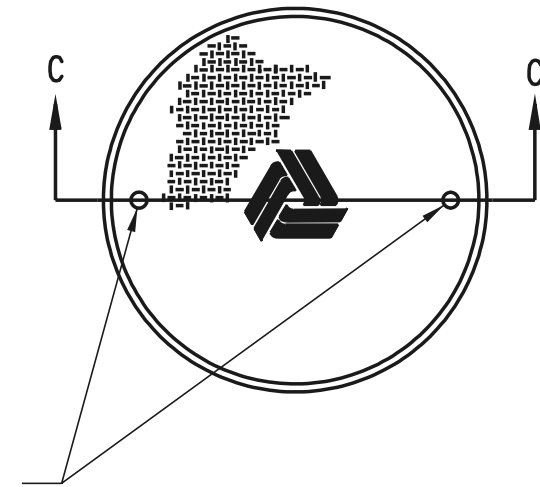
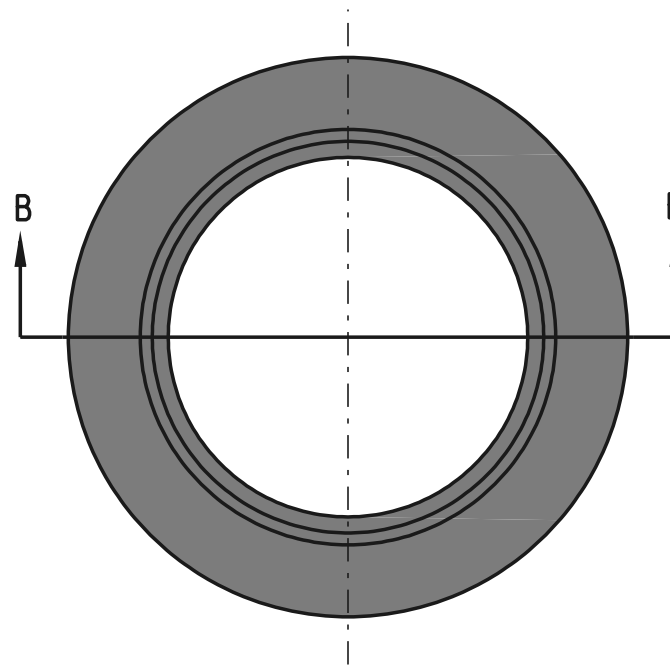
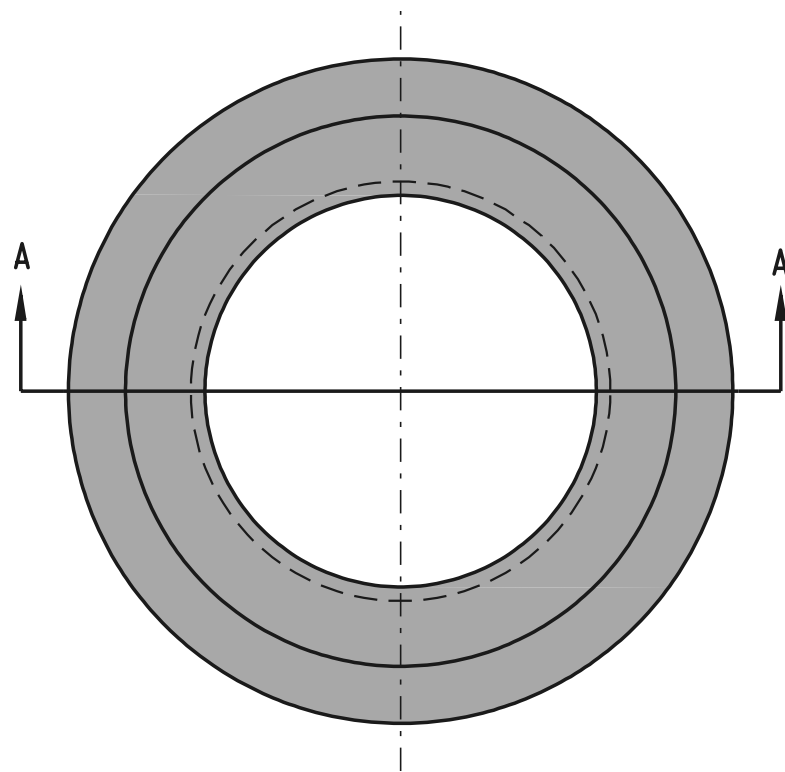
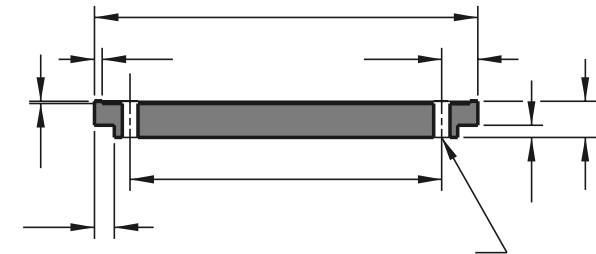
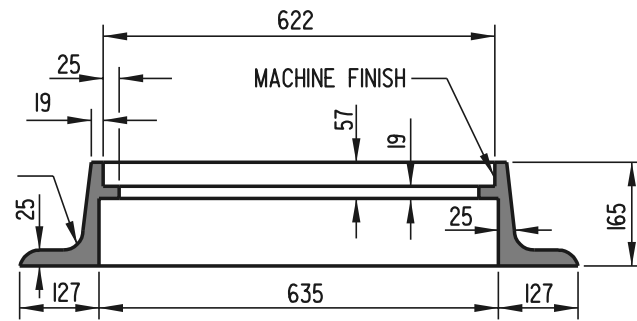
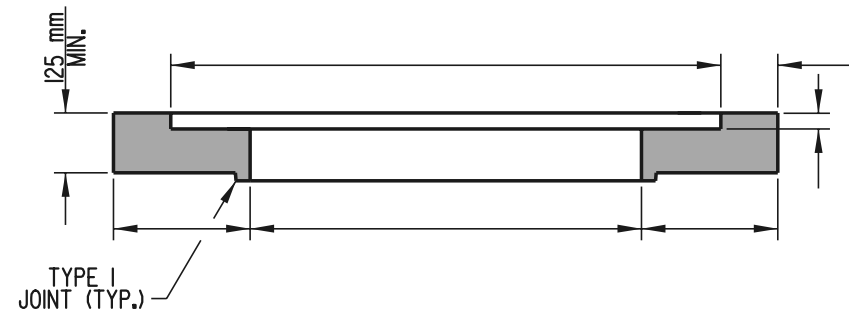


**NOTE:** TOP UNIT IS TO BE CAST IN PLACE TO GRADE AS SPECIFIED ON PLAN SHEETS OR AS DIRECTED BY ENGINEER.



**MANHOLE DETAILS**