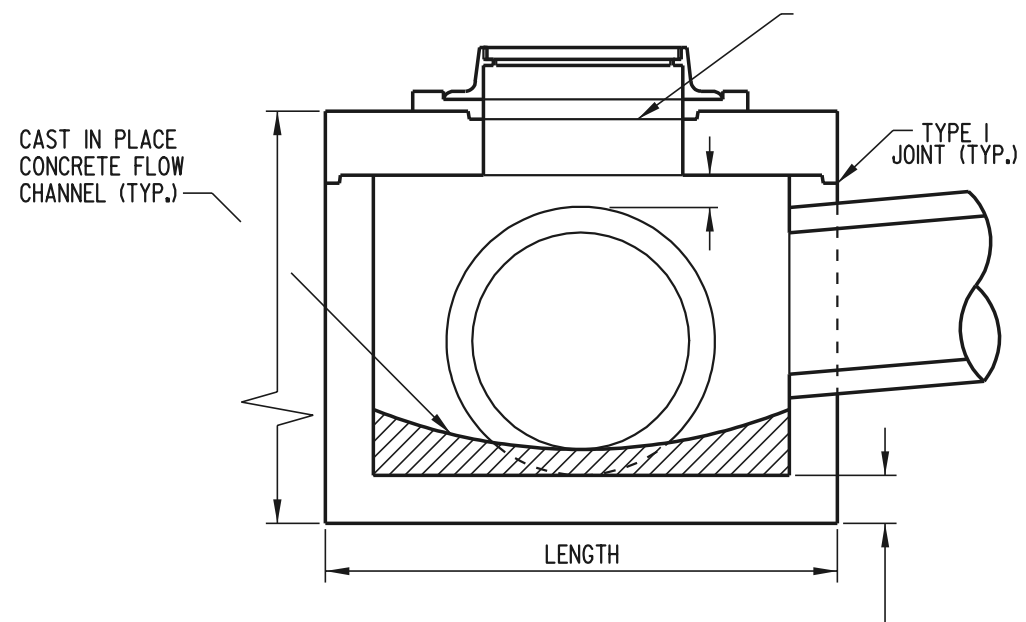
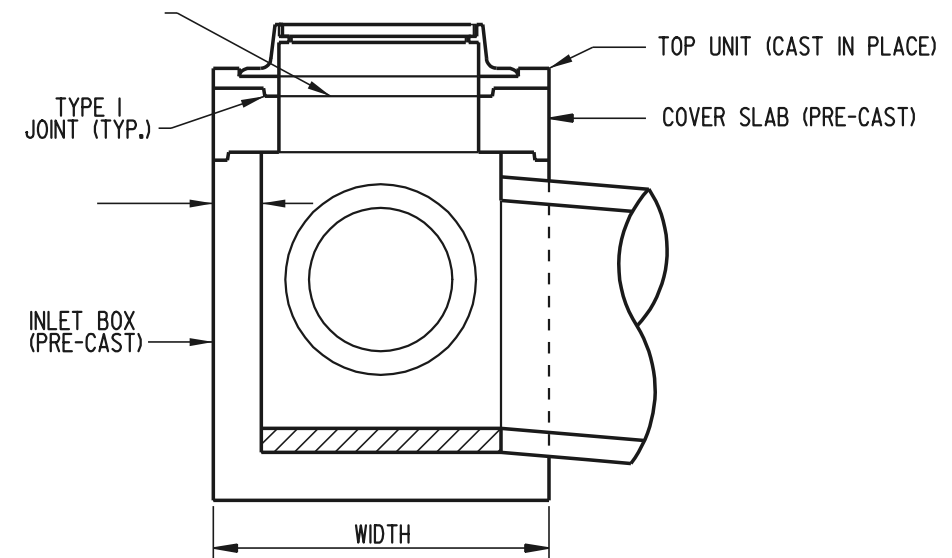


TYPE I JOINT DETAIL



SECTION A-A



SECTION B-B

BOX MANHOLE ASSEMBLY

MANHOLE DETAILS