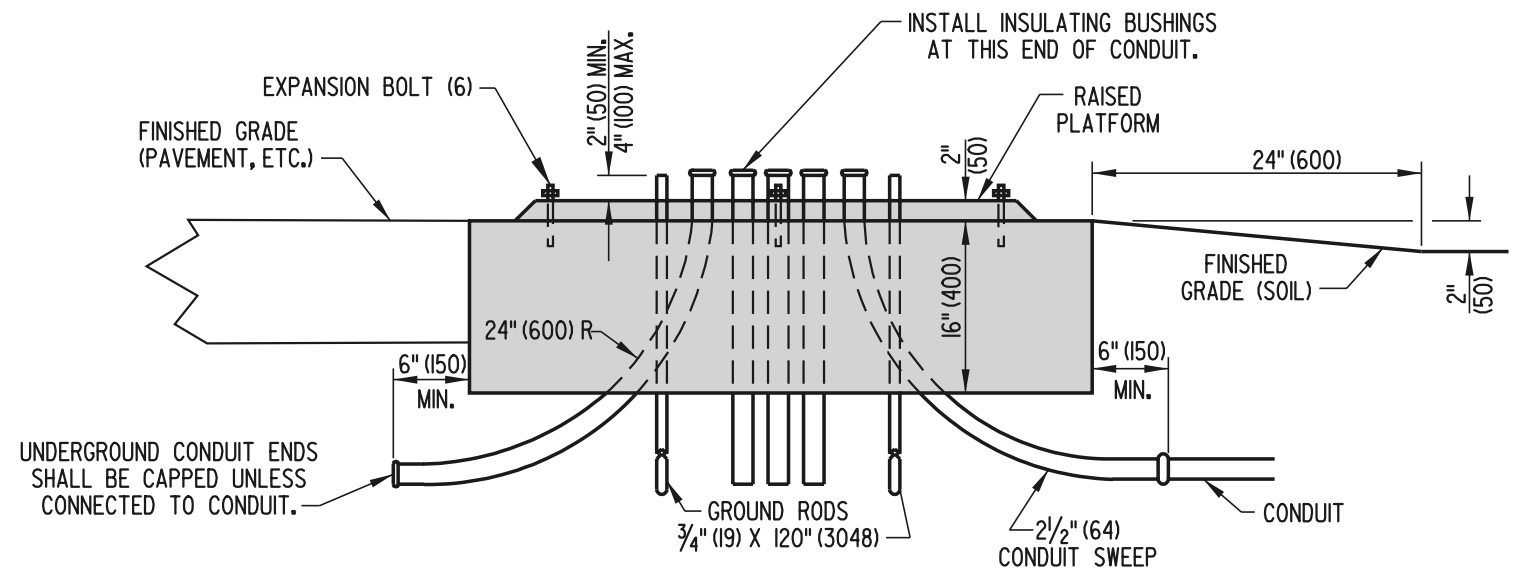


PLAN VIEW



SECTION A-A

PLAN SYMBOL

