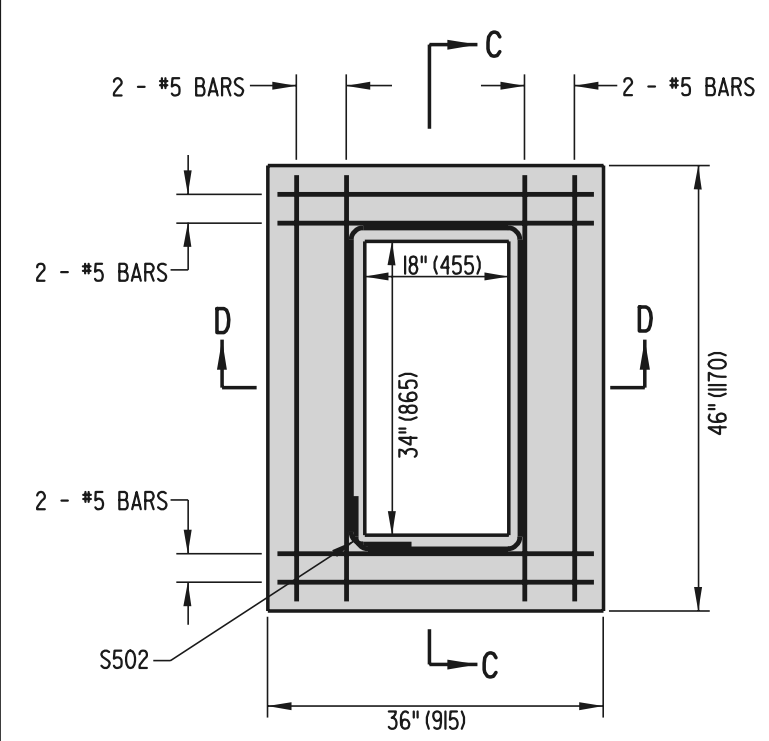
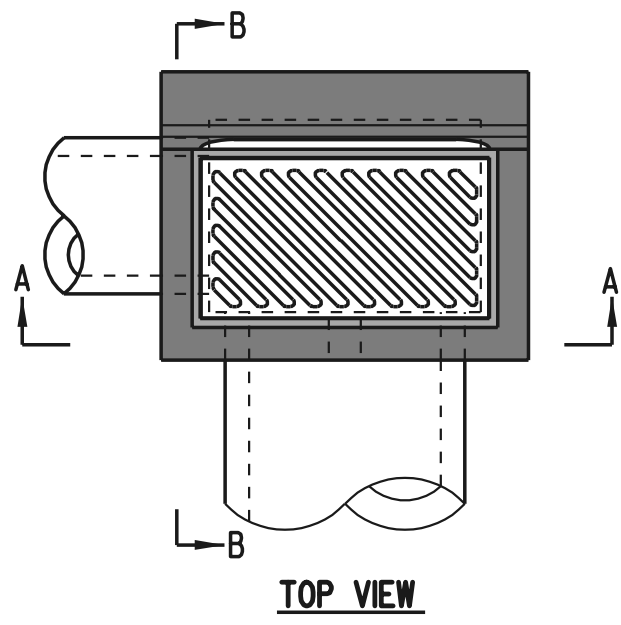
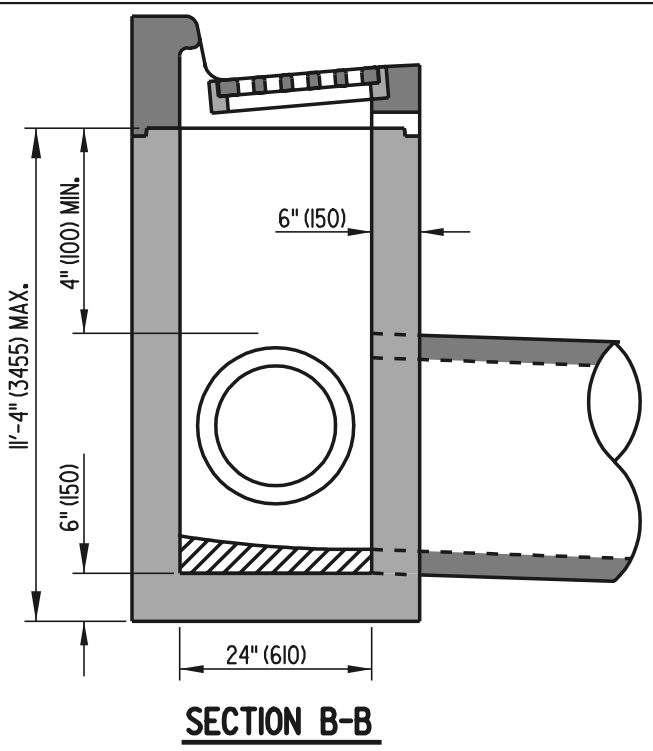
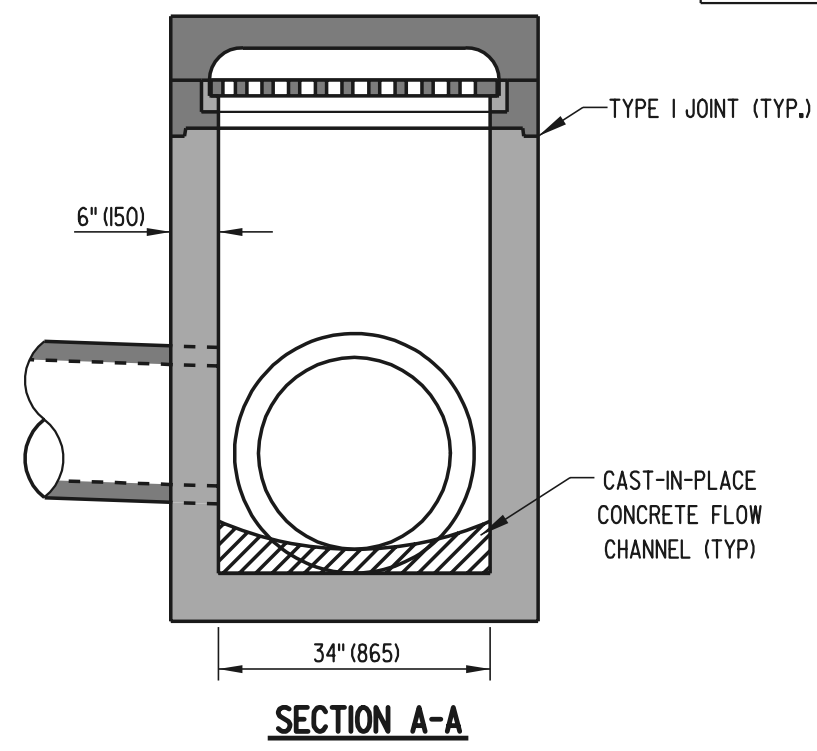
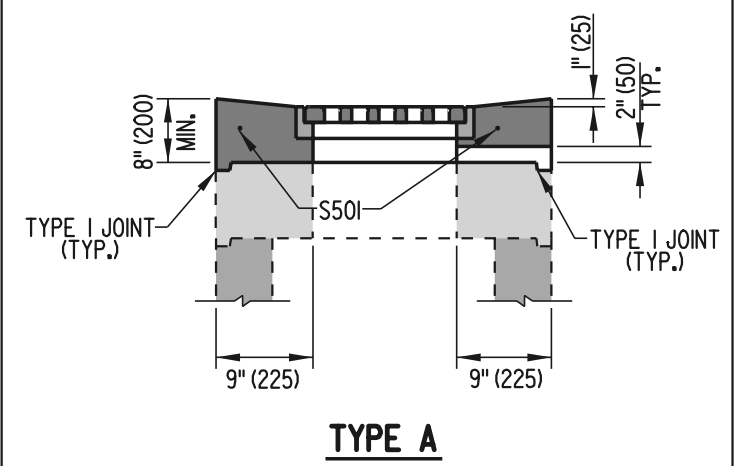
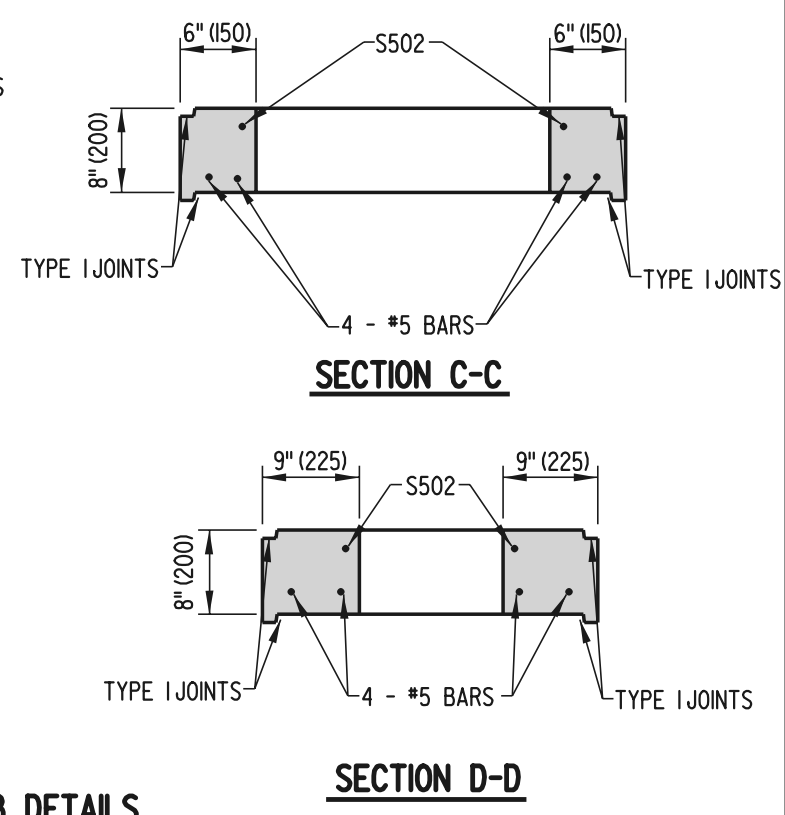


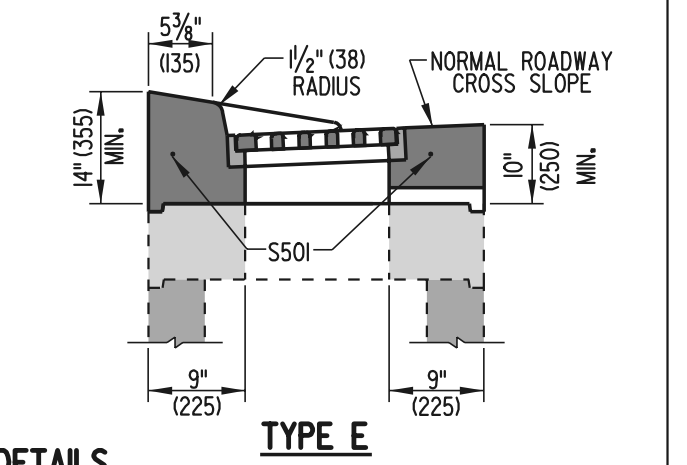
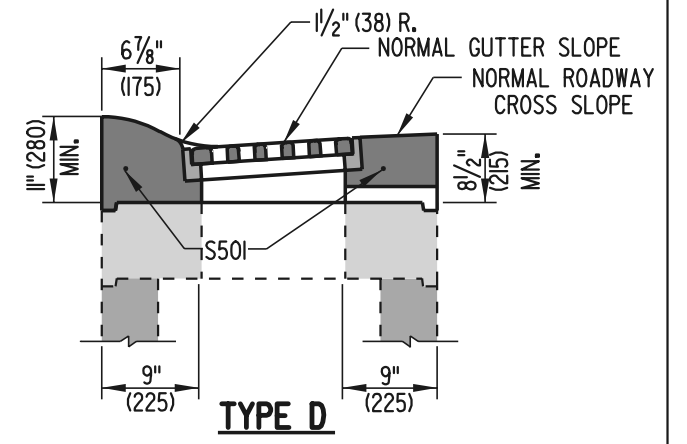
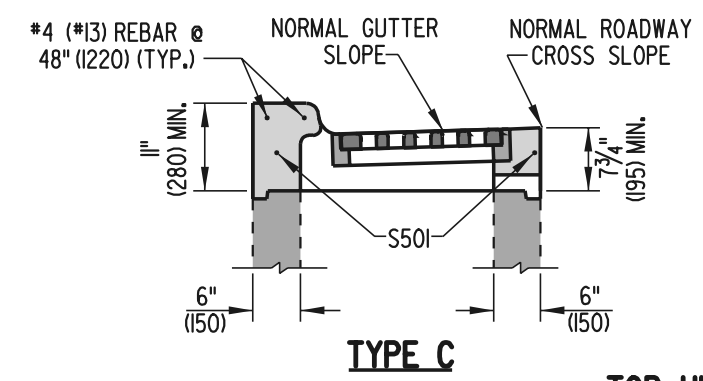
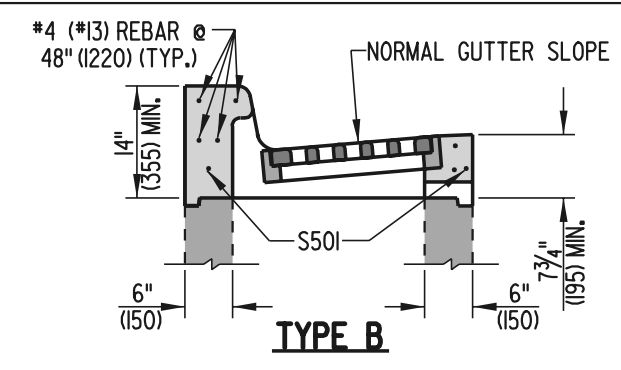
SCALE : N.T.S.



COVER SLAB DETAILS



34" (865) x 24" (610) DRAINAGE INLET DETAILS
NOTE: REFER TO PREVIOUS SHEETS FOR REINFORCING REQUIREMENTS



TOP UNIT DETAILS

DELAWARE
DEPARTMENT OF TRANSPORTATION

DRAINAGE INLET DETAILS
STANDARD NO. **D-5 (2002)** SHT. **6** OF **8**

APPROVED *Caution Wicks* 9/6/02
CHIEF ENGINEER DATE
RECOMMENDED *Therese Delph* 8/19/02
DESIGN ENGINEER DATE