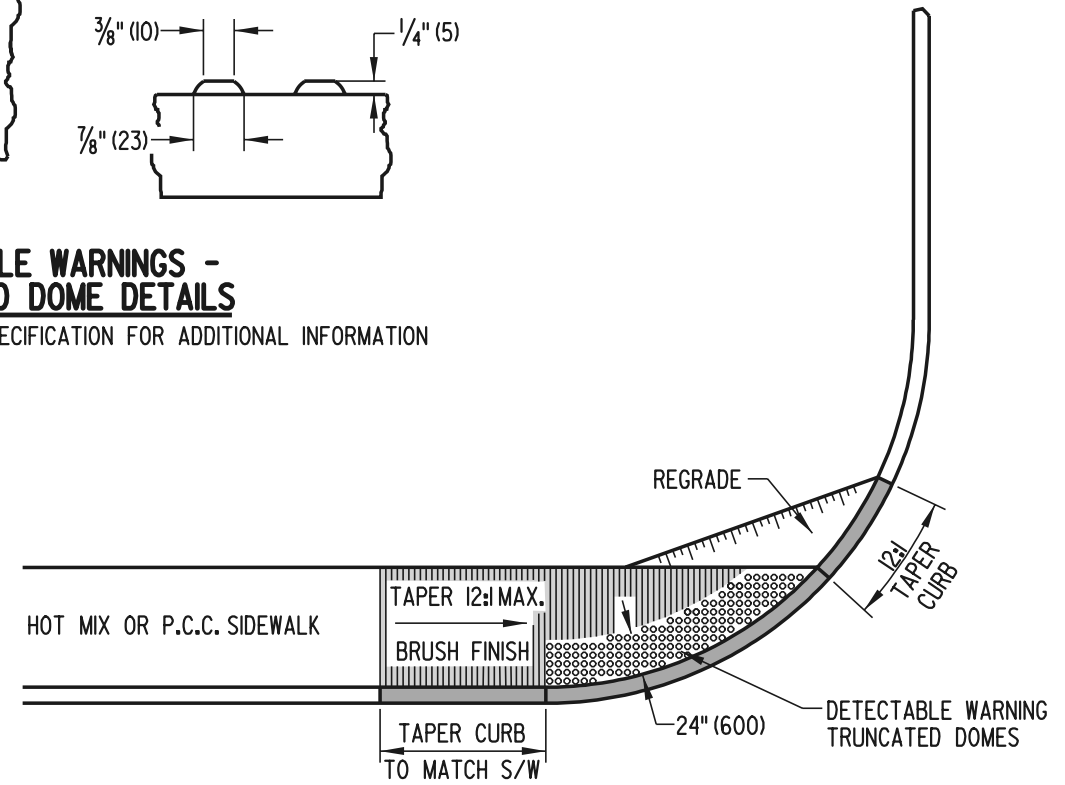
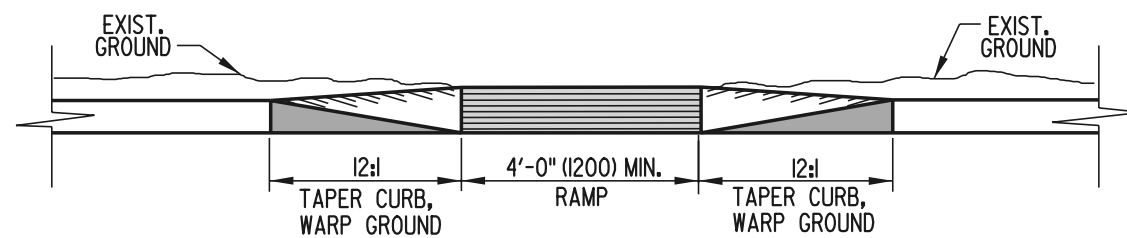


DETECTABLE WARNINGS - TRUNCATED DOME DETAILS

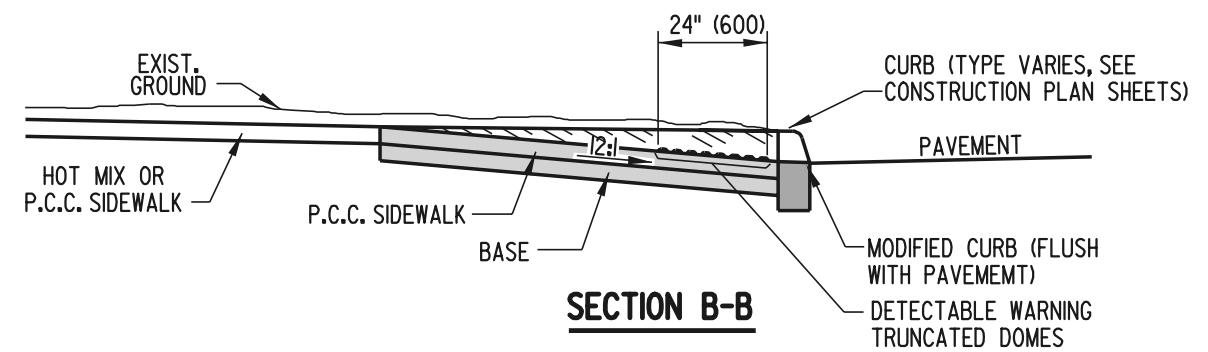
NOTE: SEE SPECIFICATION FOR ADDITIONAL INFORMATION



CURB RAMP, TYPE I



SECTION A-A



SECTION B-B



DELAWARE
DEPARTMENT OF TRANSPORTATION

CURB RAMPS

STANDARD NO. C-2 (2002)

SHT. 1 OF 4

APPROVED *Caution Wicks* 9/6/02
CHIEF ENGINEER DATE
RECOMMENDED *Theresa Delgado* 8/19/02
DESIGN ENGINEER DATE