

LIGHTING SERVICE SCHEDULE

SERVICE RUN	DISTANCE (L.F.)	DESCRIPTION	INSTALLATION
17	265.0'	2" x 1/8" GND. IN 2" GALV. CONDUIT	DIRECT BURIAL
18	235.0'	2" x 1/8" GND. IN 2" GALV. CONDUIT	DIRECT BURIAL
19	260.0'	2" x 1/8" GND. IN 2" GALV. CONDUIT	DIRECT BURIAL
20	264.0'	2" x 1/8" GND. IN 2" GALV. CONDUIT	DIRECT BURIAL
21	258.0'	2" x 1/8" GND. IN 2" GALV. CONDUIT	DIRECT BURIAL

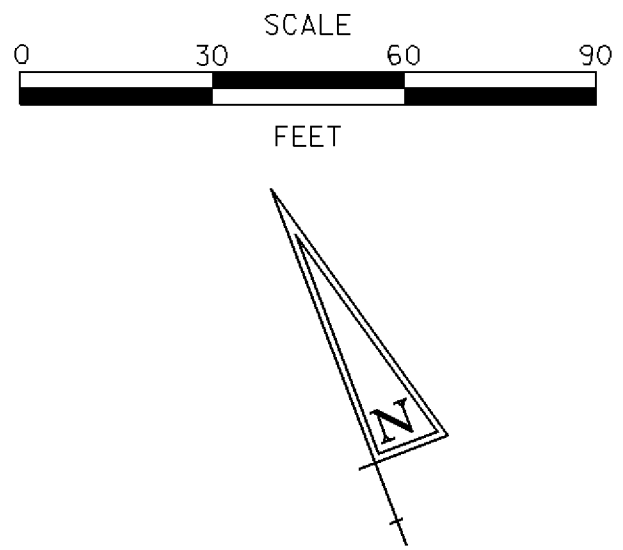
NOTE: SERVICE RUN DISTANCE REFLECTS CONDUIT LENGTHS ONLY.

LIGHTING STANDARD SCHEDULE

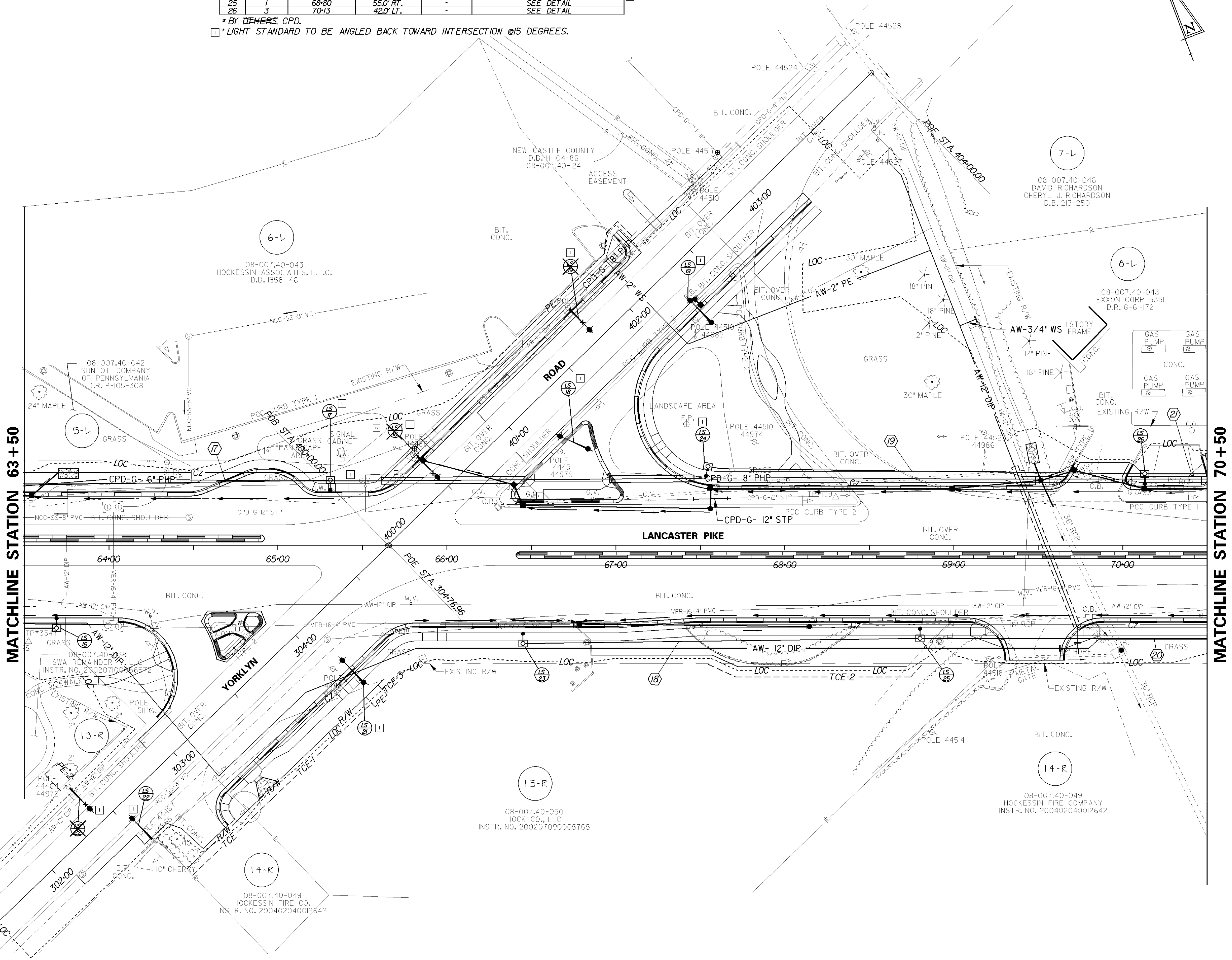
NO.	CKT. NO.	STATION	OFFSET	ARM	LIGHT STANDARD
16	3	63+69	49.0' RT.	-	SEE DETAIL
17	1	65+31	38.5' LT.	-	SEE DETAIL
18	-	EXIST.	EXIST.	X X	250 W HPS COBRA HEAD
19	-	EXIST.	EXIST.	X X	250 W HPS COBRA HEAD
21	-	EXIST.	EXIST.	X X	250 W HPS COBRA HEAD
22	-	EXIST.	EXIST.	X X	250 W HPS COBRA HEAD
23	1	66+45	58.0' RT.	-	SEE DETAIL
24	3	67+54	46.7' LT.	-	SEE DETAIL
25	1	69+80	55.0' RT.	-	SEE DETAIL
26	3	70+13	42.0' LT.	-	SEE DETAIL

* BY OTHERS CPD.
 □ LIGHT STANDARD TO BE ANGLED BACK TOWARD INTERSECTION @15 DEGREES.

LIGHTING



CONTRACT	COUNTY	F.A.P. NO.	SHEET NO.	TOTAL SHTS.
20-007-02	NEW CASTLE	SEE TITLE SHEET	119	151
SR 41 (LANCASTER PIKE) SAFETY PROJECT				
REVISIONS				
1	REVISED LIGHTING - CLG/MFB	03-03-05		



- NOTES:**
1. ALL LIGHTING STANDARD POLE BASES SHALL BE TYPE 6.
 2. ALL LIGHTING JUNCTION WELLS SHALL BE TYPE 1.
 3. LIGHTING CIRCUITS ARE AS NOTED IN LIGHTING SERVICE SCHEDULE.
 4. LOCATION OF CONDUIT MAY BE ADJUSTED IN FIELD TO AVOID EXISTING OR OTHER PROPOSED CONSTRUCTION FEATURES, SUBJECT TO APPROVAL OF THE ENGINEER. ALL CONDUITS AND POLES SHALL BE LOCATED WITHIN EXISTING PROPOSED RIGHT-OF-WAY OR PERMANENT EASEMENT.
 5. SEE LIGHTING SERVICE DETAIL ON SHEET 105 FOR SERVICE REQUIREMENTS.

PREL. TRACING L.A.D. DESIGN C.L.C./D.E.G. CHKD. J.M.P.